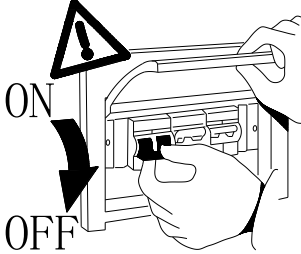


User Manual

**Warning:**

- 1.The security installer of the lighting equipment must install by instruction, remember to keep it properly.
- 2.Please cut off the power before installing.



- 3.If the external soft cable or wire damages, to avoid danger, it must be changed by manufacturer, service agent or similar persons.

**attention:**

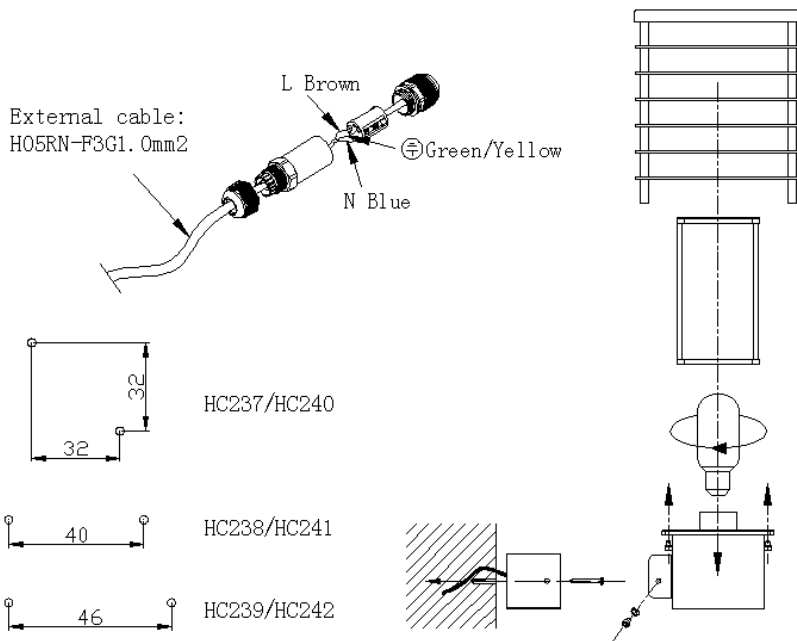
- 1.Please follow the installation regulations of equipment when installing product, being installed by professionals.
- 2.Check before installation if the lamp is clean or humid.
- 3.Please don't change this product to use at will.
- 4.This user manual is suitable for HC24301 HC24401 HC24501 HC24601 HC24701 HC24801 series products, and please read carefully before installation.

Basic information

**IP44**

ITEM	lamp cap	Rated power	Rated voltage	dimension
HC24301	E14	LED M 10W	100-240VAC	130*80*175
HC24401	E27	LED M 20W	100-240VAC	170*100*200
HC24501	E27	LED M 30W	100-240VAC	200*160*255
HC24601	E14	LED M 10W	100-240VAC	130*80*175
HC24701	E27	LED M 20W	100-240VAC	170*100*200
HC24801	E27	LED M 30W	100-240VAC	200*160*255

● Installation





If the shell damages, stop using, cause the water may come in.