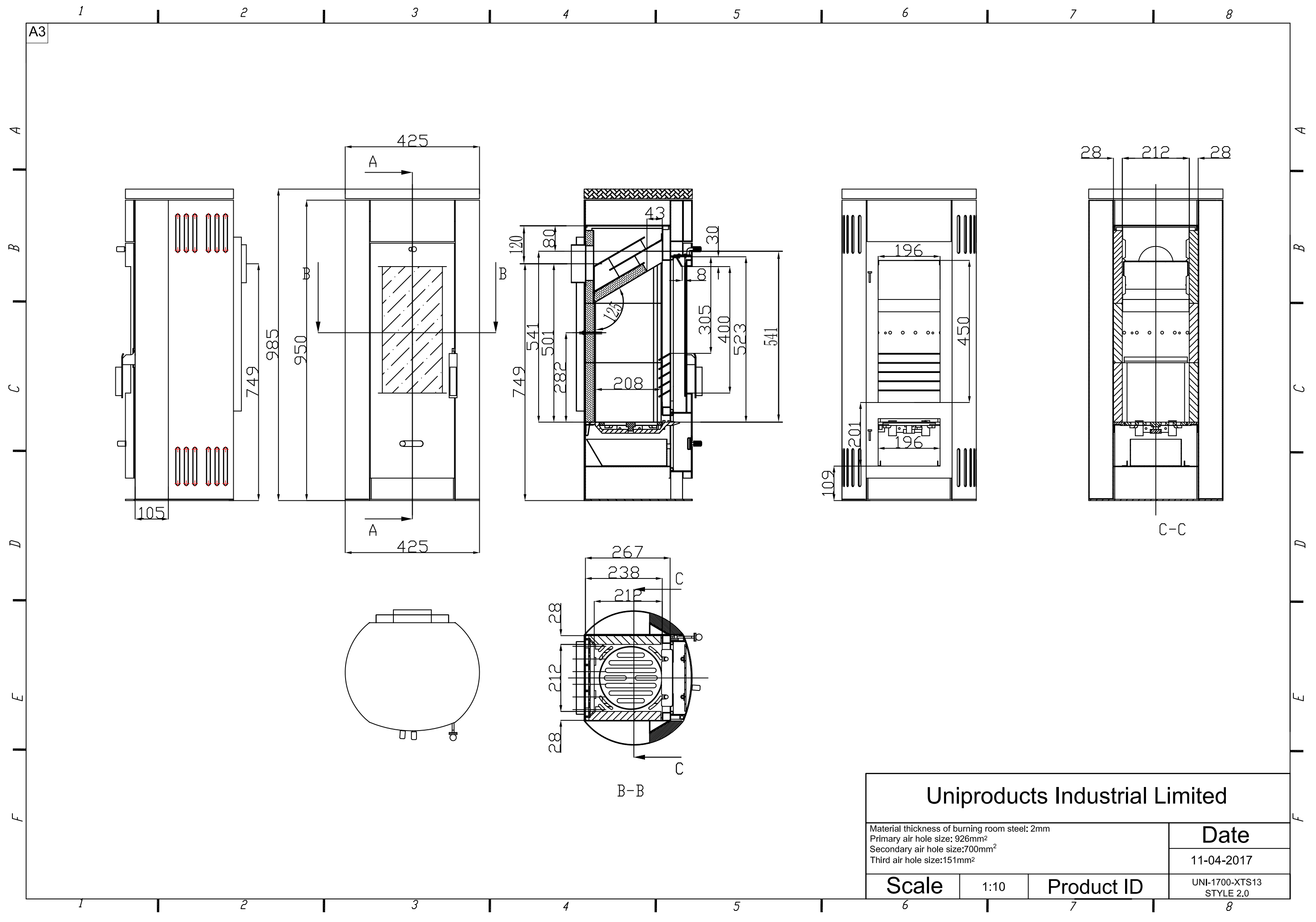
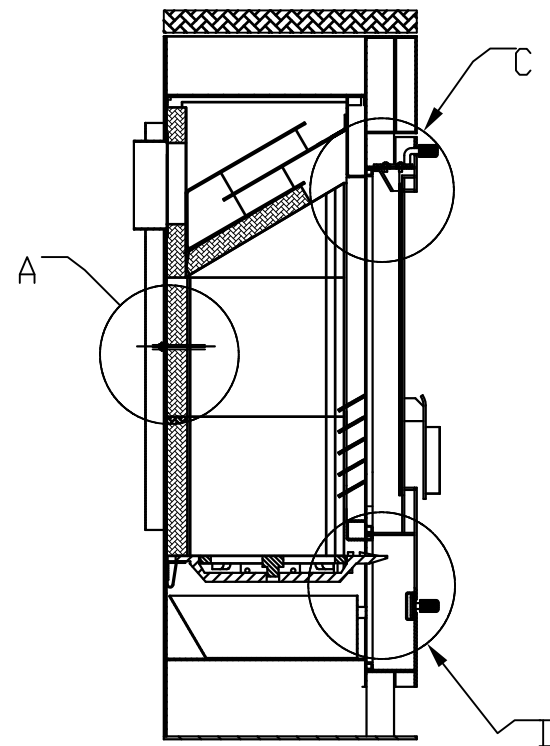
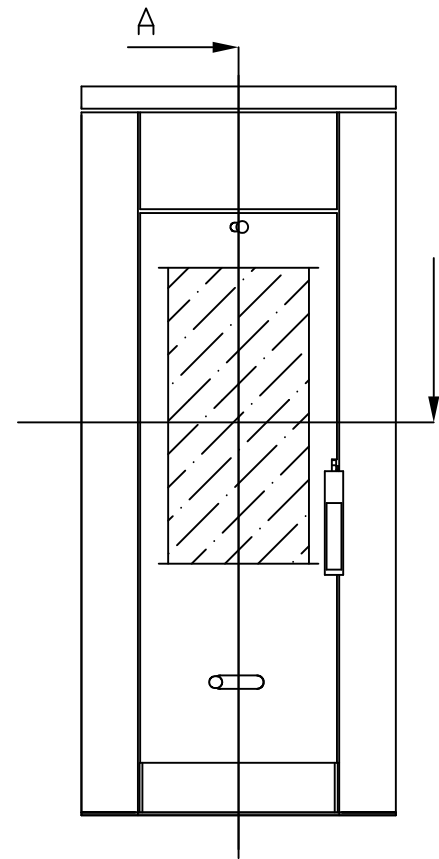


A3

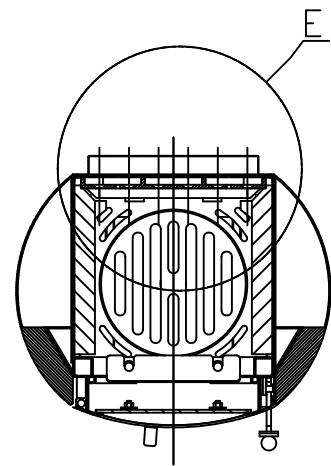


Uniproducts Industrial Limited			
Material thickness of burning room steel: 2mm Primary air hole size: 926mm ² Secondary air hole size: 700mm ² Third air hole size: 151mm ²			Date
			11-04-2017
Scale	1:10	Product ID	UNI-1700-XTS13 STYLE 2.0

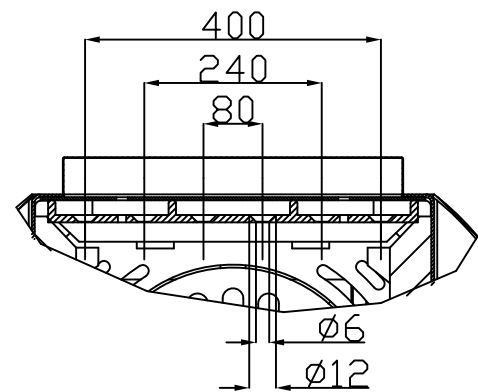
A3



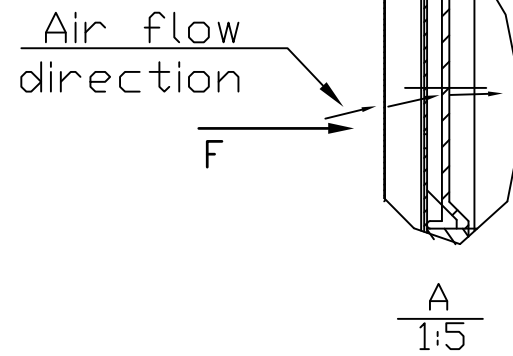
A-A



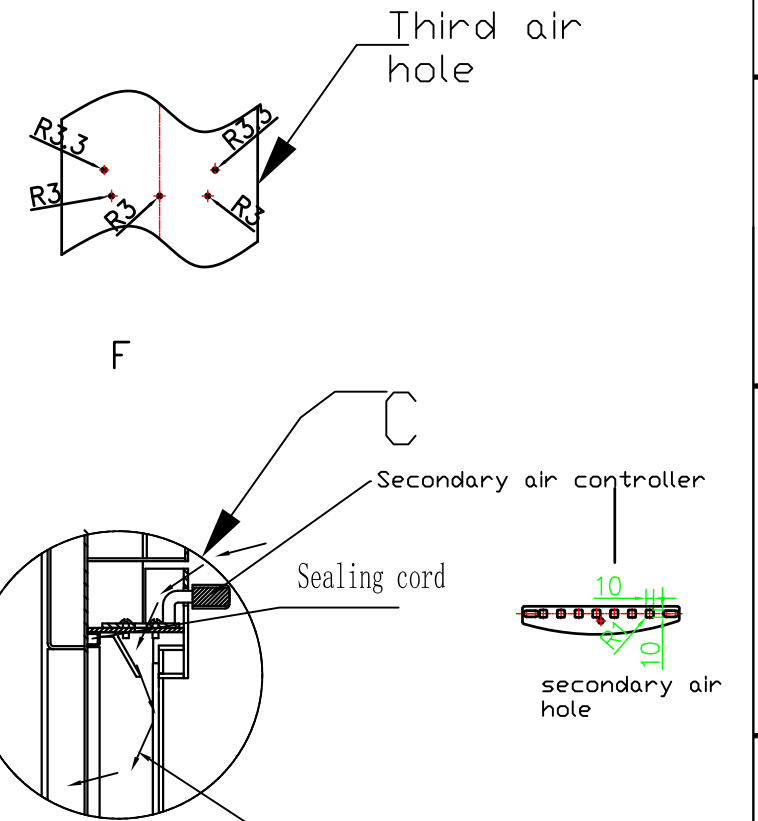
B-B



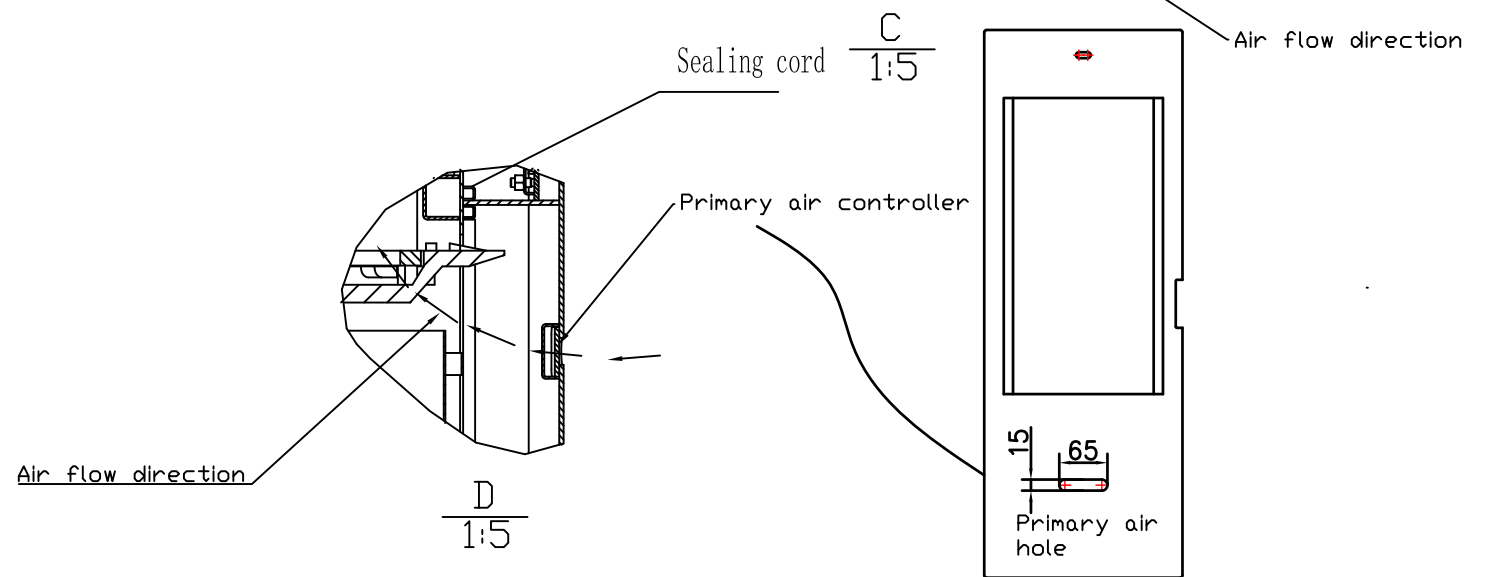
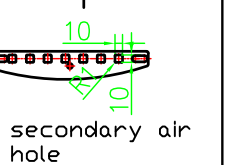
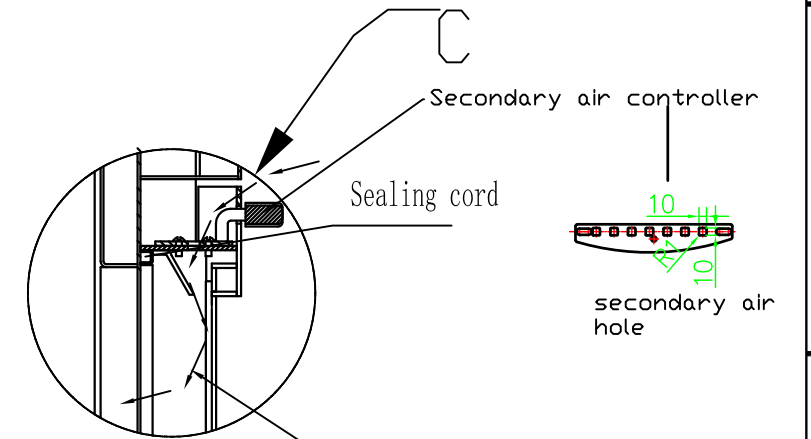
E
1:5



F
1:5



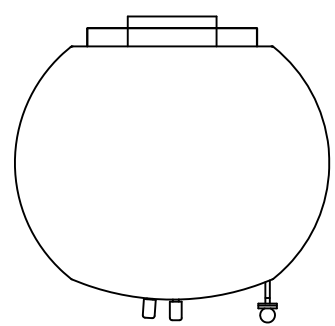
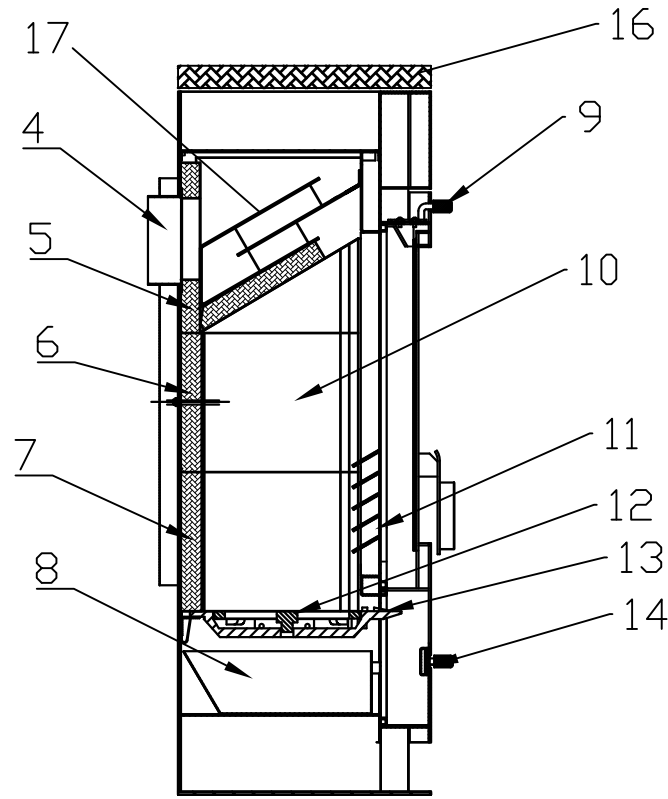
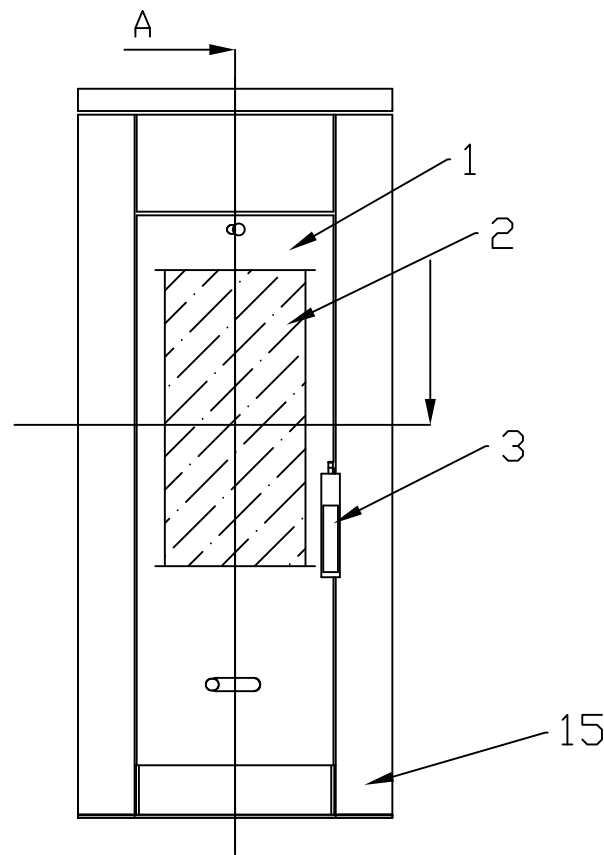
F



D
1:5

Uniproducts Industrial Limited			
Material thickness of burning room steel: 2mm Primary air hole size: 926mm ² Secondary air hole size: 700mm ² Third air hole size: 151mm ²			Date
			11-04-2017
Scale	1:10	Product ID	UNI-1700-XTS13 STYLE 2.0

A3



Uniproducts Industrial Limited			
Material thickness of burning room steel: 2mm Primary air hole size: 926mm ² Secondary air hole size: 700mm ² Third air hole size: 151mm ²			Date
			11-04-2017
Scale	1:10	Product ID	UNI-1700-XTS13 STYLE 2.0
NO	Part name	NO	Part name
1	Stove door	11	Glass protector
2	Glass window	12	Grid
3	Door handle	13	Grid holder
4	Flue gas connector	14	Primary air controller
5	Fireproof brick	15	Side stone
6	Fireproof brick	16	Top stone
7	Fireproof brick	17	turbolator
8	Air tray		
9	Secondary air controller		
10	Combustion chamber		