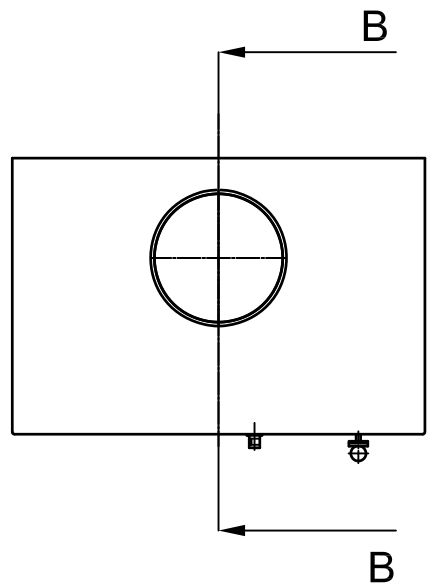
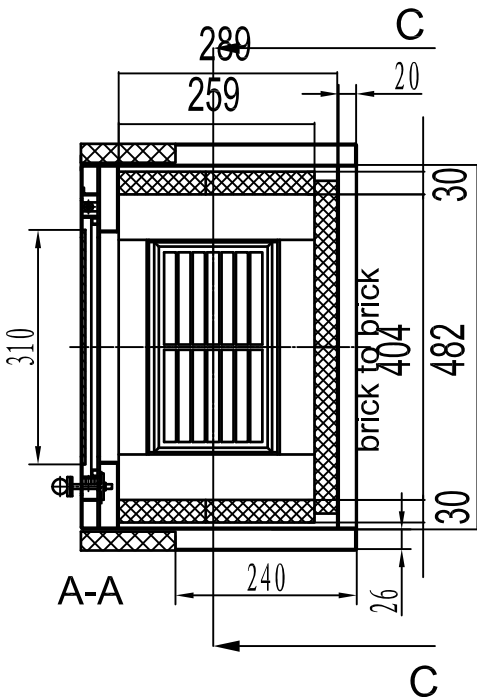
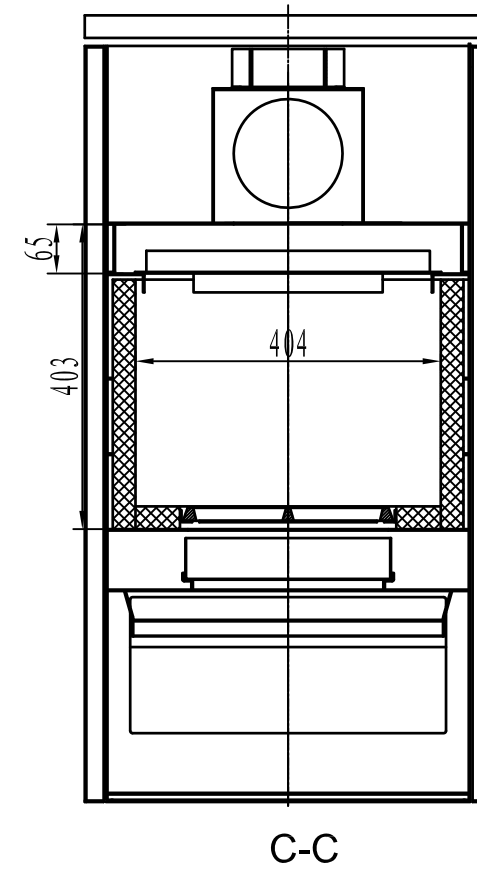
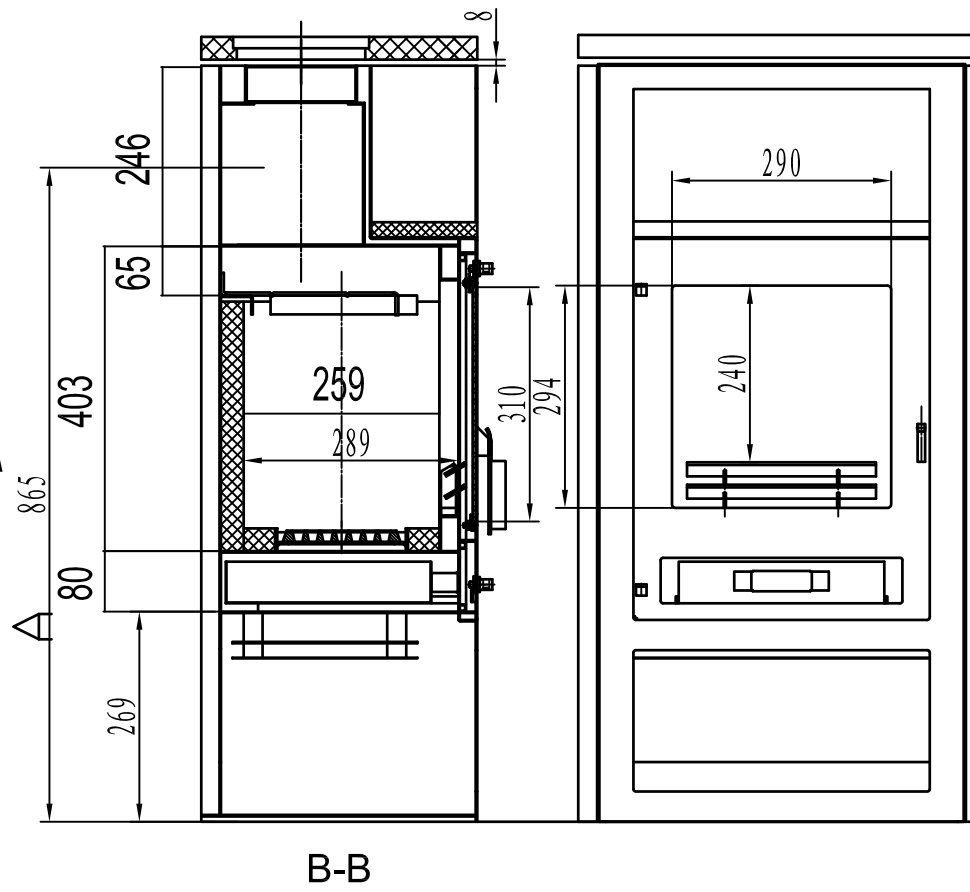
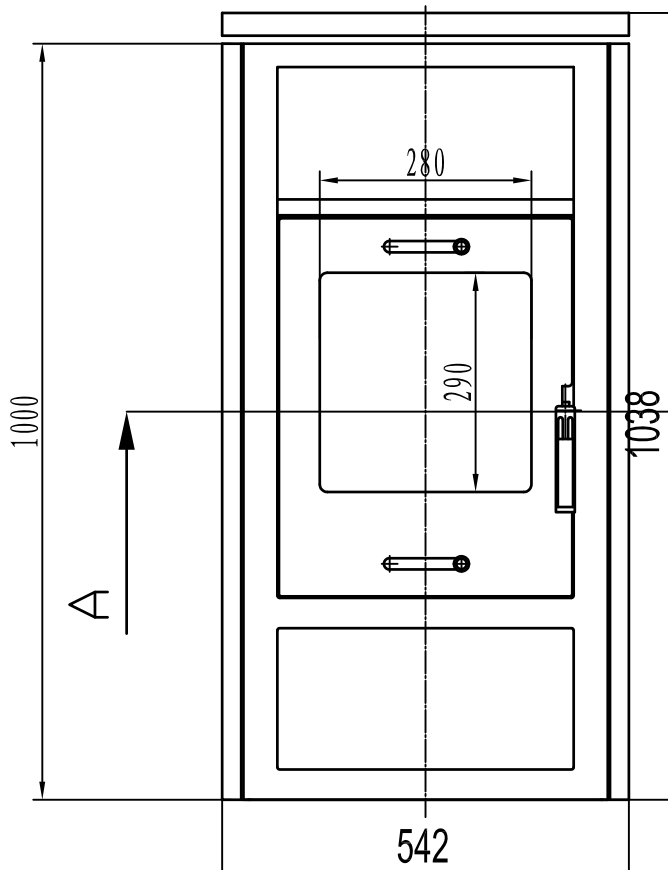
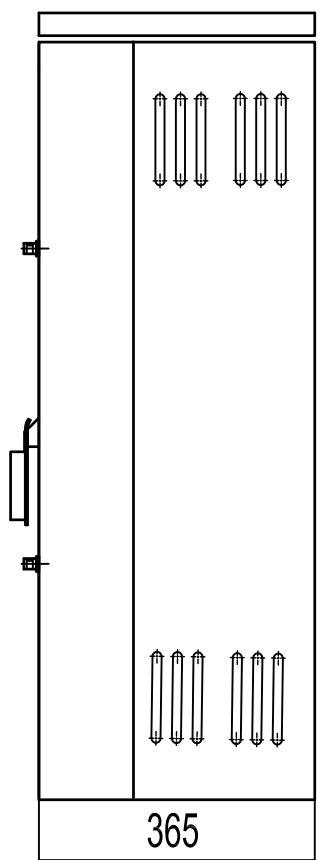


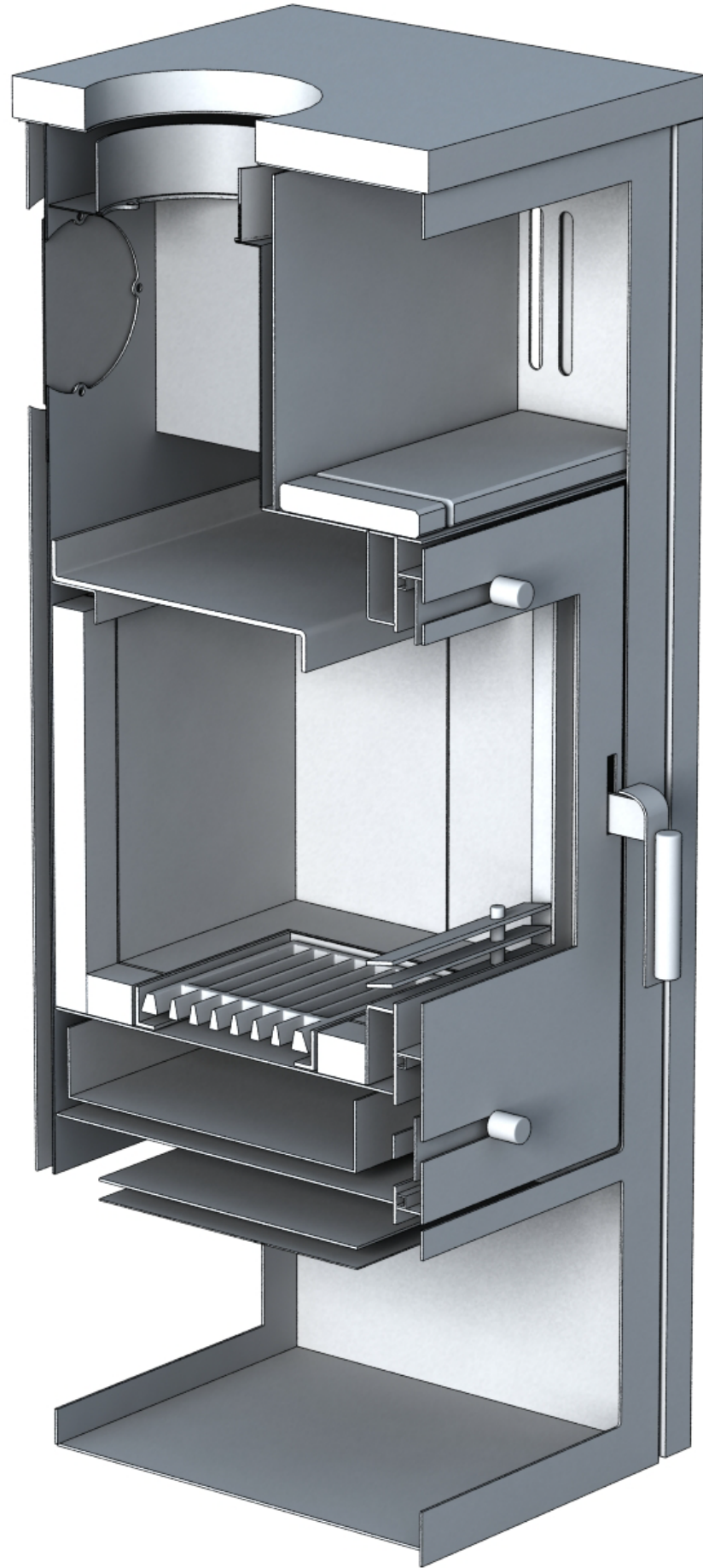
Drawing 1_construction



Uniproducts Industrial Limited			
Material thickness of burning room steel: 2mm Primary air hole size: 60x25=1500mm ² Secondary air hole size: 1500mm ²			Date 08-04-2011
Scale	1:10	Product ID	UNI-1964-GTS13

A3

Drawing 2_3D drawing



Uniproducts Industrial Limited

Material thickness of burning room steel: 2mm
Primary air hole size: 60x25=1500mm²
Secondary air hole size:1500mm²

Date

08-04-2011

Scale

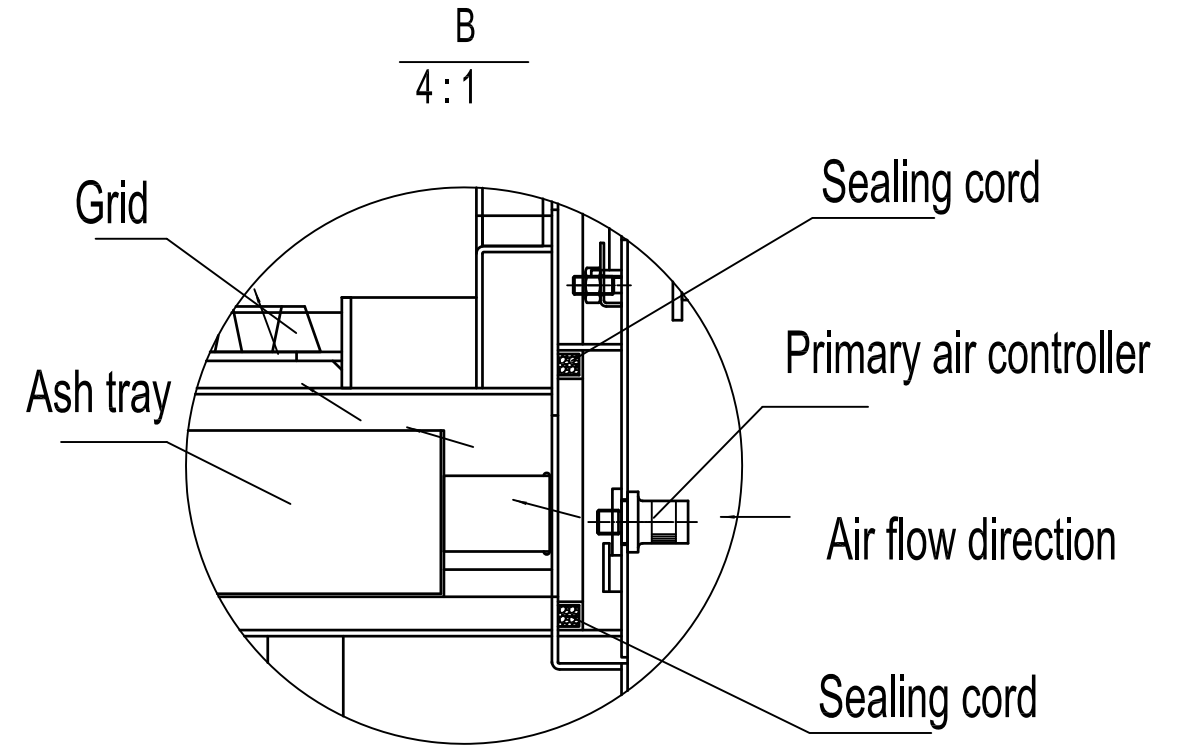
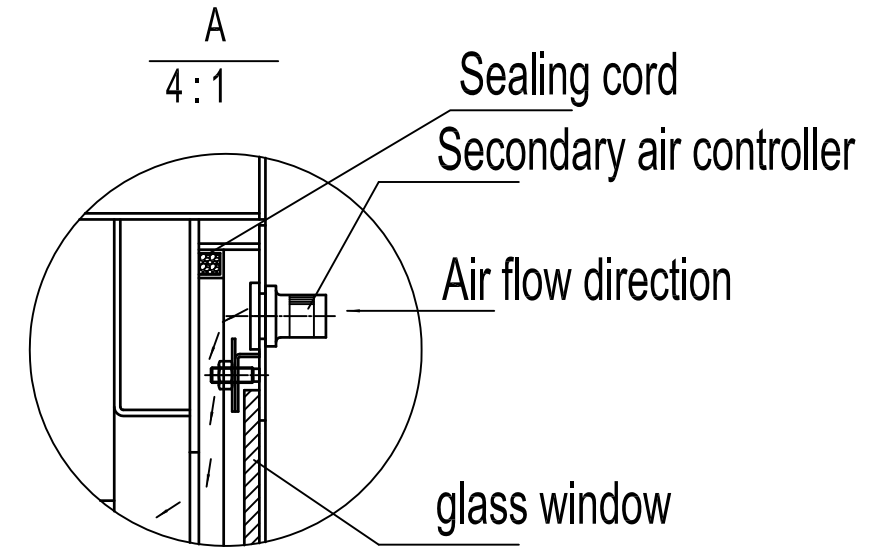
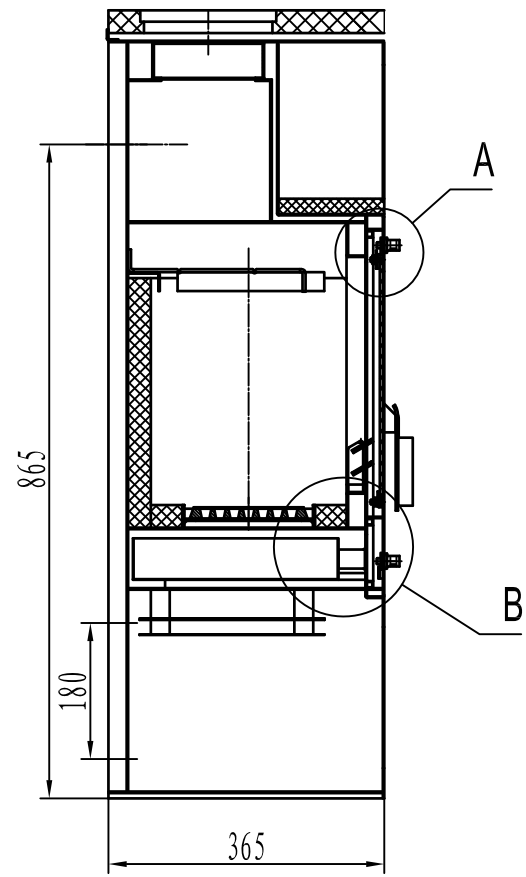
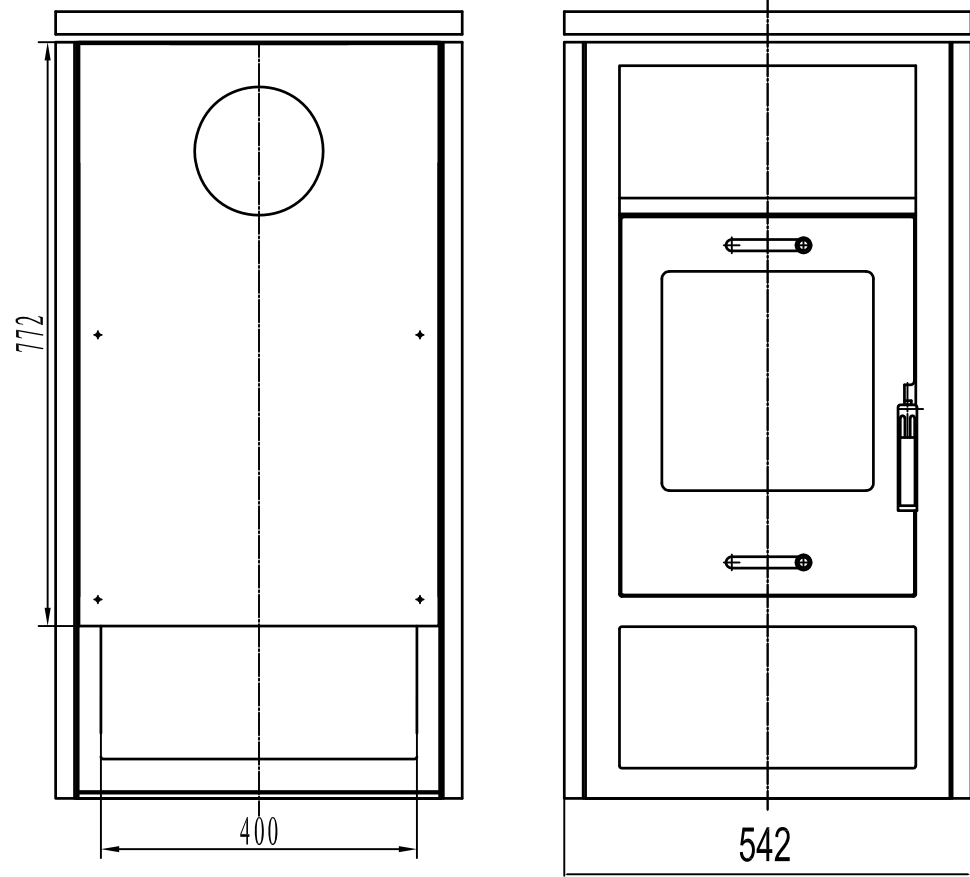
1:10

Product ID

UNI-1964-GTS13

A3

Drawing 3_Air flow



Uniproducts Industrial Limited

Material thickness of burning room steel: 2mm
 Primary air hole size: 60x25=1500mm²
 Secondary air hole size: 1500mm²

Date

08-04-2011

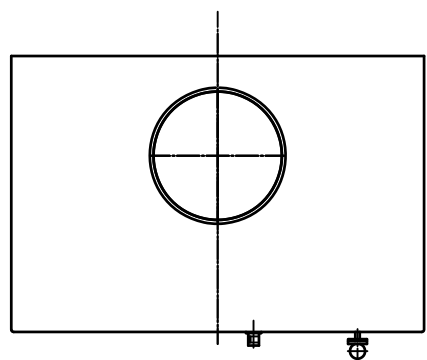
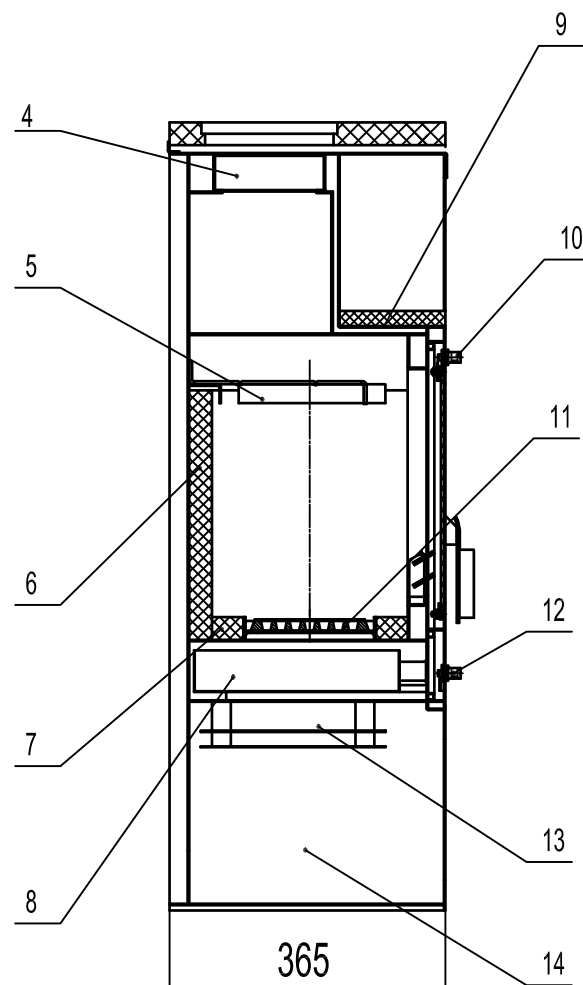
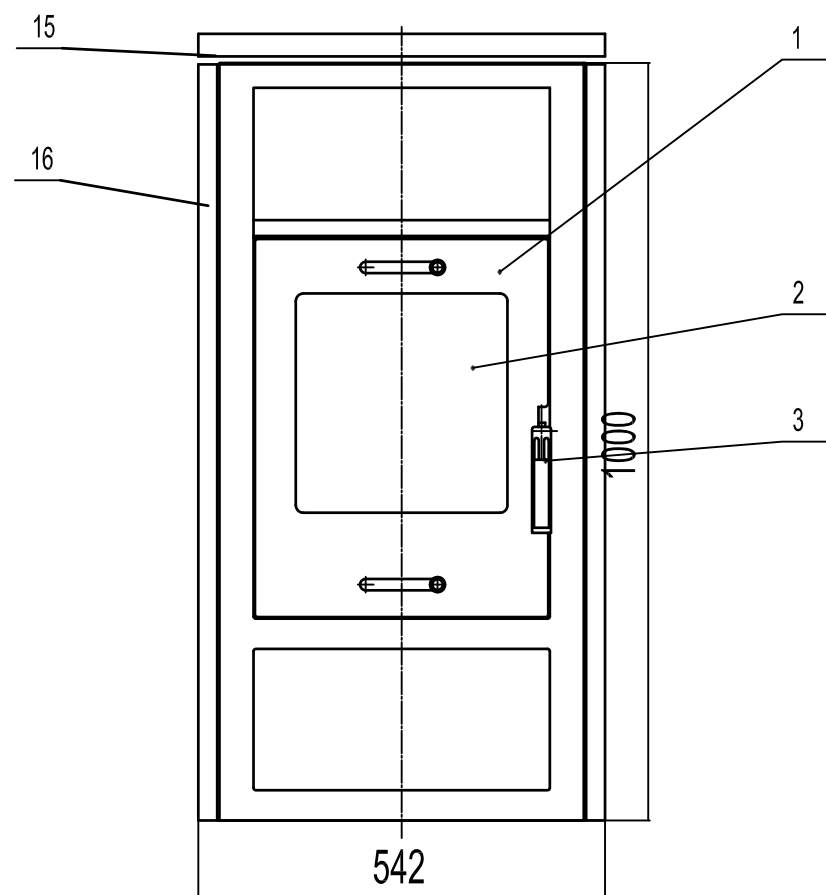
Scale

1:10

Product ID

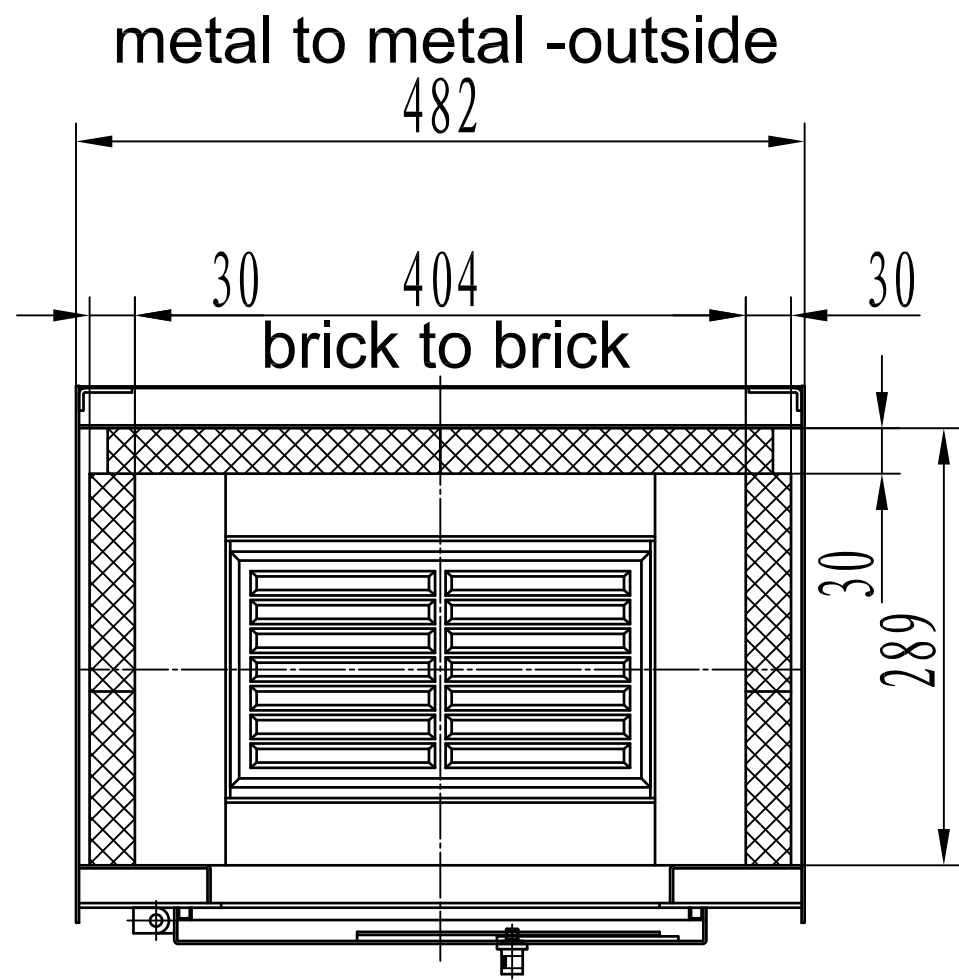
UNI-1964-GTS13

Drawing 4_Part list

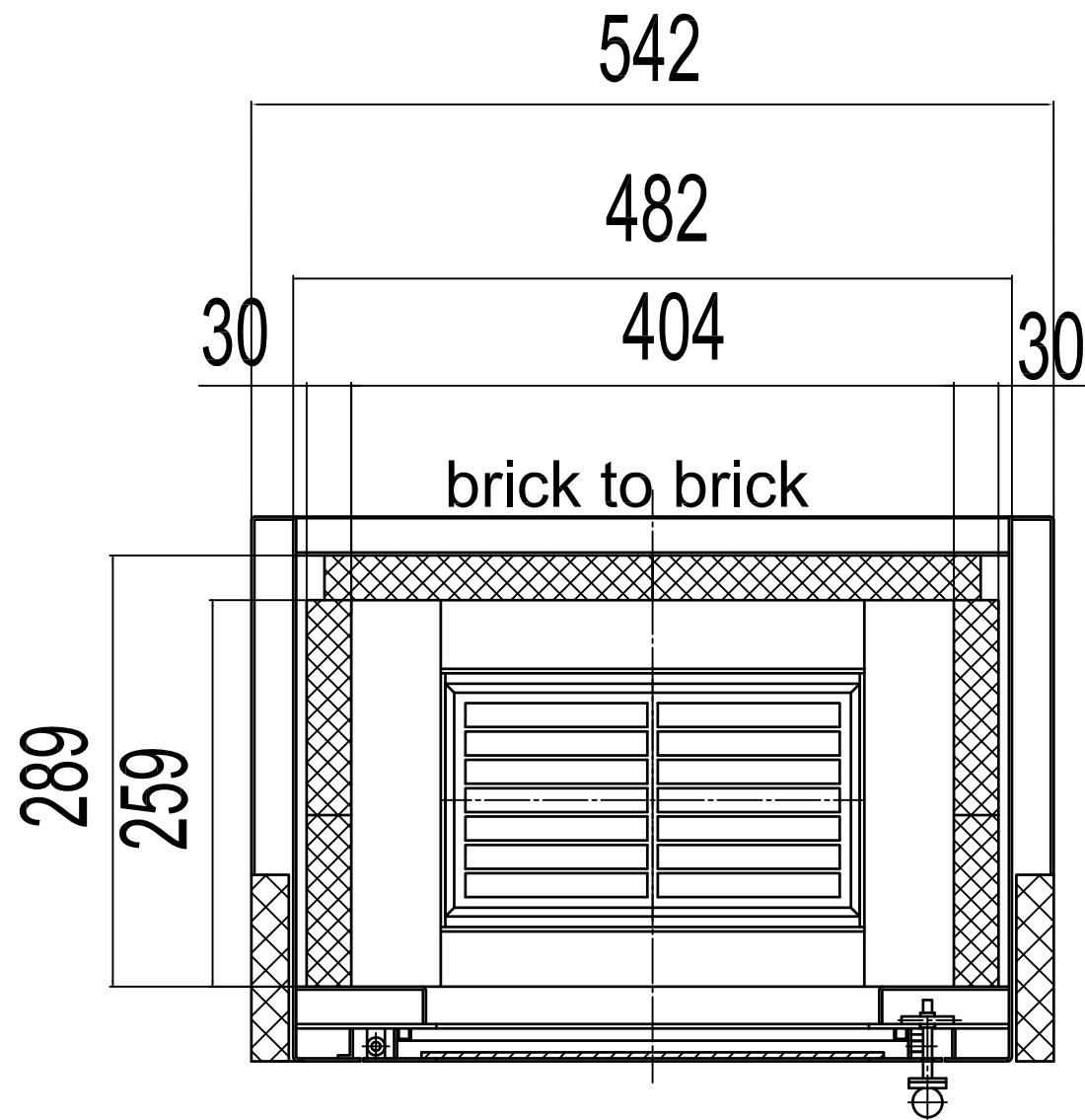


Uniproducts Industrial Limited			
Material thickness of burning room steel: 2mm Primary air hole size: 60x25=1500mm ² Secondary air hole size: 1500mm ²			Date
			08-04-2011
Scale	1:10	Product ID	UNI-1964-GTS13
NO	Part name	NO	Part name
1	Stove door	11	Grid holder + grid
2	Glass window	12	Primary air controller
3	Door handle	13	Fuel insulation board
4	Flue gas connector	14	Fuel holder
5	Fireproof brick	15	Top stone
6	Fireproof brick	16	Side stone
7	Fireproof brick	17	
8	Ash tray	18	
9	Tea platform ceramic	19	
10	Secondary air controller	20	

Drawing 5_top view



UNI-1963



UNI-1964-GTS13

Uniproducts Industrial Limited

Material thickness of burning room steel: 2mm
 Primary air hole size: 60x25=1500mm²
 Secondary air hole size:1500mm²

Date

01-04-2011

Scale

1:5

Product ID

UNI-1963 &
UNI-1964 -GTS13