

SOJAG

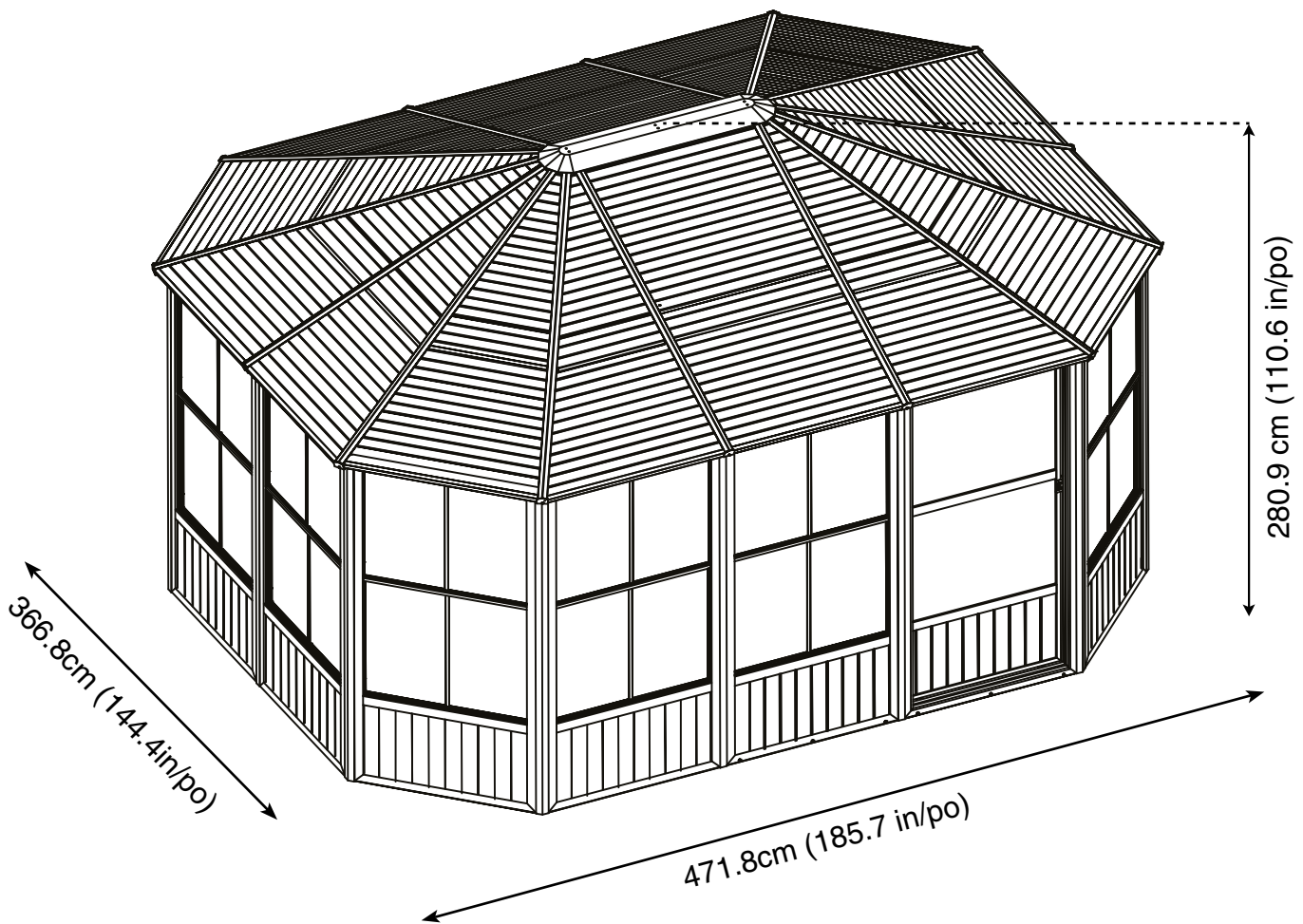


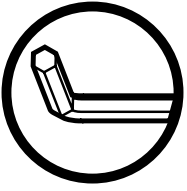
produits saisonniers • seasonal products

Sojag code: 999-8163179

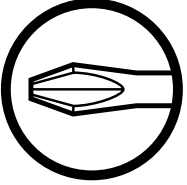
CUP/UPC code: 772830163179

Assembly Manual / Guide d'assemblage / Manual de ensamblaje / 조립설명서 / Montageanleitung





Use the hex keys in the box. / Utiliser les clés hexagonales fournies dans la boîte. /
Utilice las llaves hexagonales en la caja. / 상자에 육각 키를 사용 하십시오. / Verwenden Sie
die Sechskantschlüssel in der Box.



Please use a Phillips screwdriver period / Utiliser un tournevis de type Phillips / Por favor,
use un destornillador Phillips / 십자 드라이버를 사용 하십시오. / Bitte verwenden Sie einen
Kreuzschraubenzieher.



You may need to use a drill for this step. / Cette étape peut nécessiter l'utilisation
d'une perceuse. / puede que tenga que utilizar un taladro para este paso. /
이 단계에선 드릴을 사용해야 할 수도 있습니다. / Für diesen Schritt können Sie einen
Bohrer verwenden.



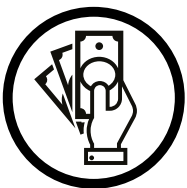
Wearing protective gloves is recommended. / Le port de gants de protection est recommandé /
El uso de guantes de protección se recomienda / 보호 장갑을 착용 하는 것이 좋습니다. /
Das Tragen von Schutzhandschuhen wird empfohlen.



Two or more people are required at this stage. / Deux personnes ou plus sont nécessaires à cette
étape. / Dos o más personas se requieren en esta etapa. / 이 단계에서는 두 명 이상이 필요합니다. /
Für diesen Bauschritt sind 2 oder mehr Personen erforderlich.

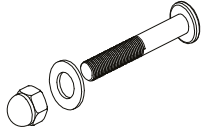


Do not screw firmly for now. / Ne pas visser fermement pour l'instant. / No atornille con
firmeza por ahora. / 아직 나사를 단단히 조이지 마십시오. / Bitte die Schrauben zum
jetzigen Zeitpunkt noch nicht fest anziehen.

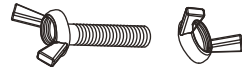


Sold separately / Vendus séparément / vendido en las opciones /
옵션 판매 / Optional erhältlich

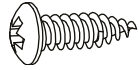
B6 X 8 (+2)



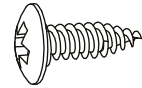
R X 2



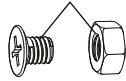
S X 28 (+4)



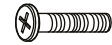
S1 X 14 (+2)



T X 36 (+5)



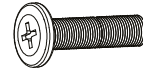
U X 70 (+7)



V X 64 (+7)



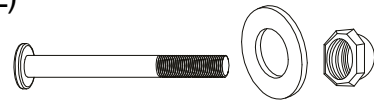
V1 X 3 (+1)



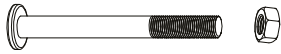
V2 X 8 (+2)



W X 12 (+2)



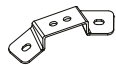
X X 12 (+2)



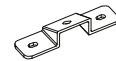
Y X 2 (+1)



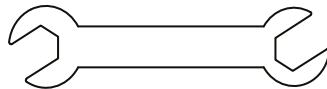
Z1 X 8

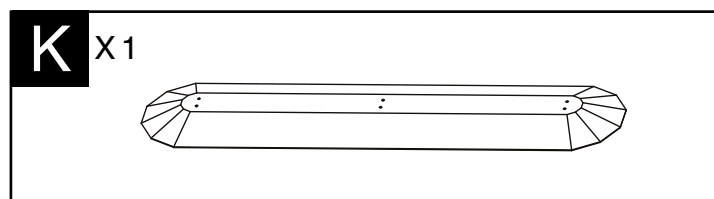
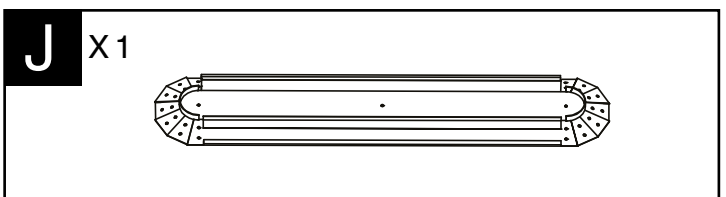
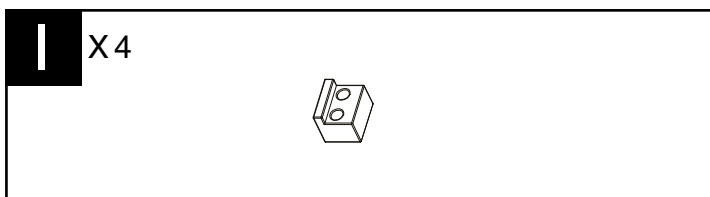
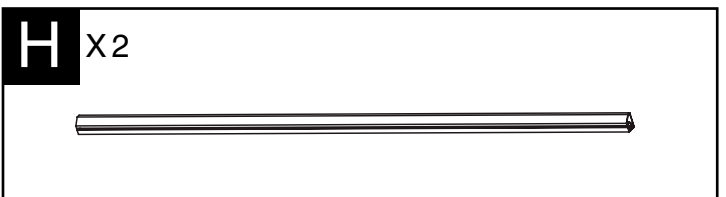
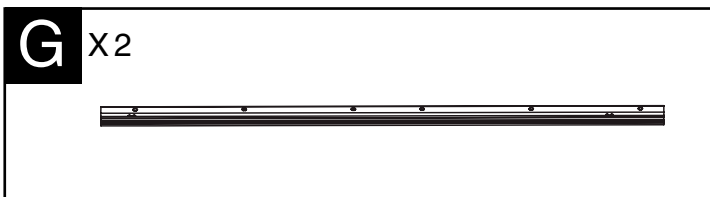
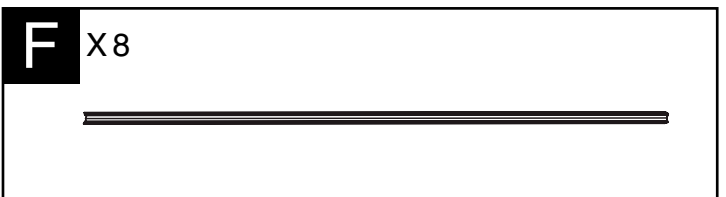
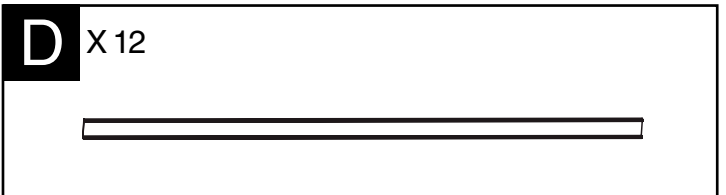
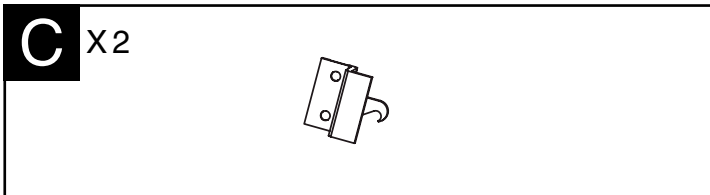
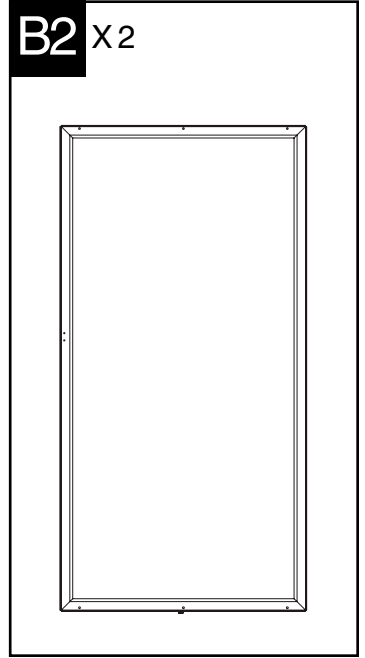
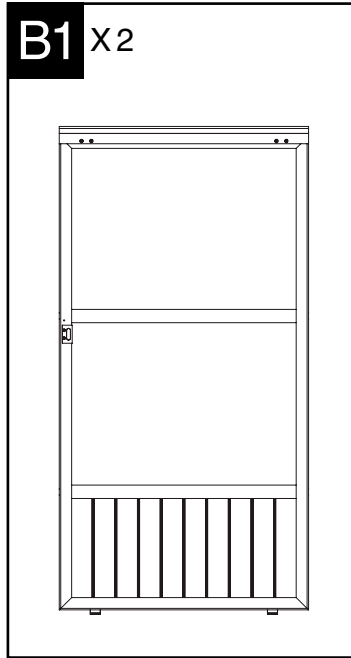
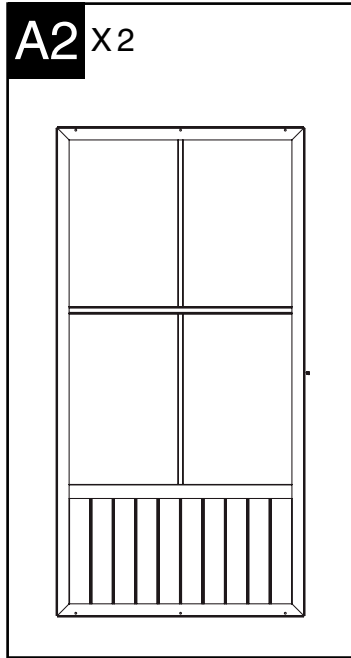
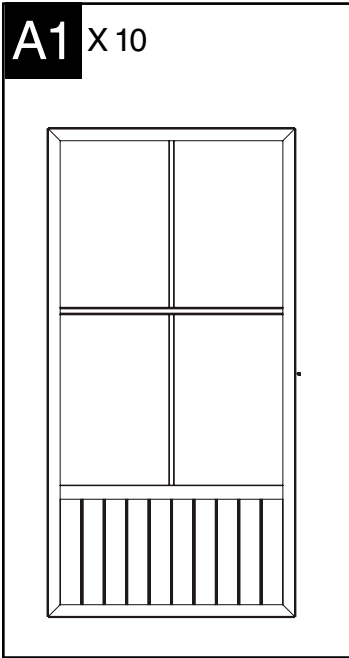


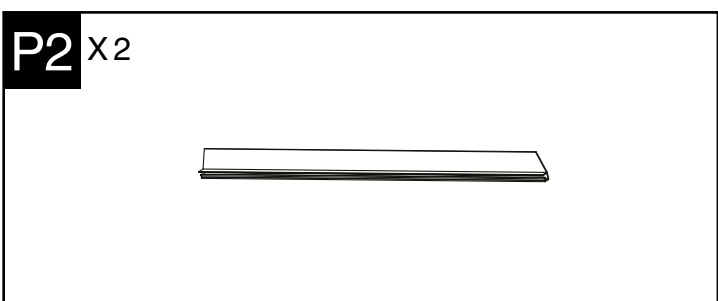
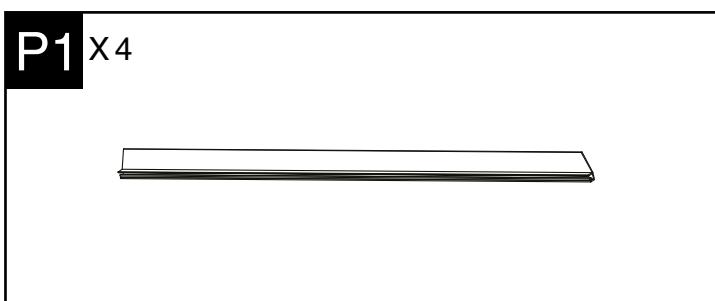
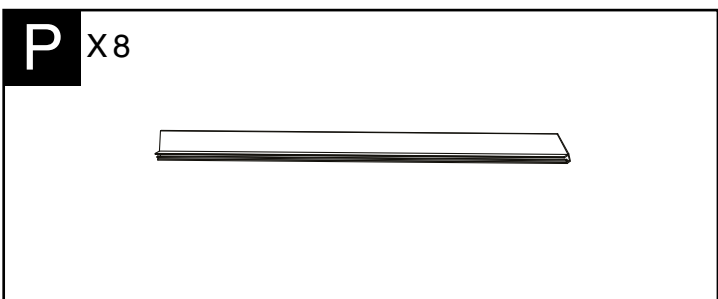
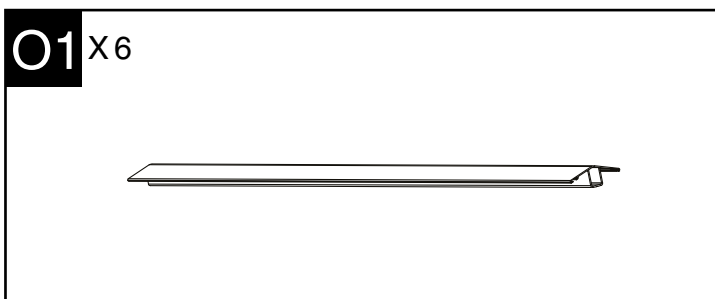
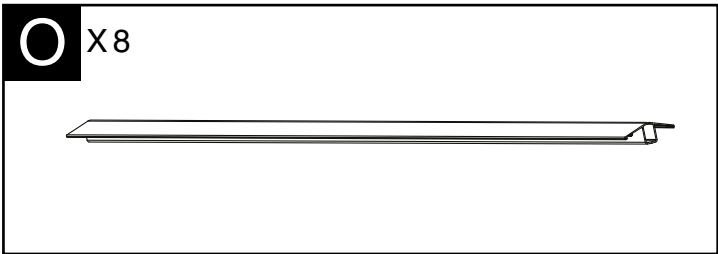
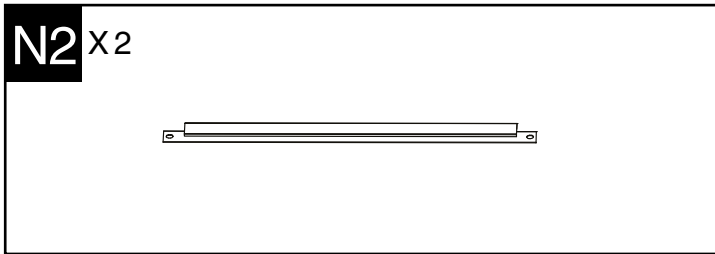
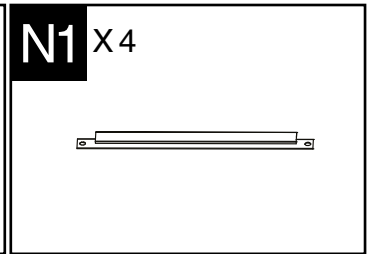
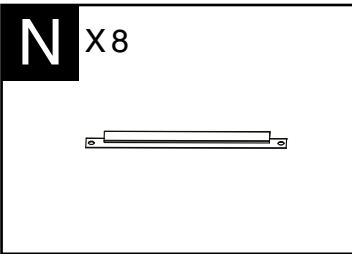
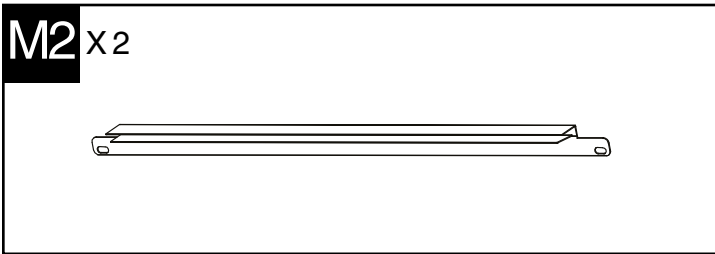
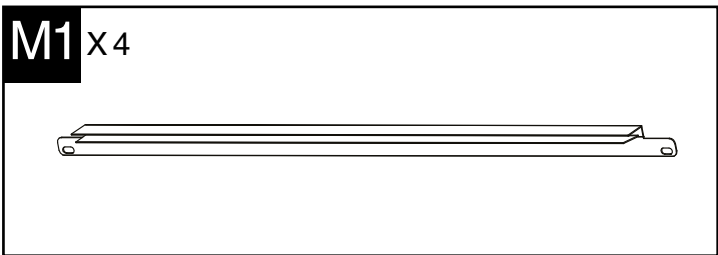
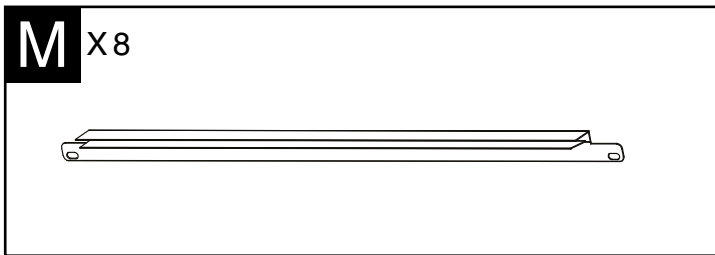
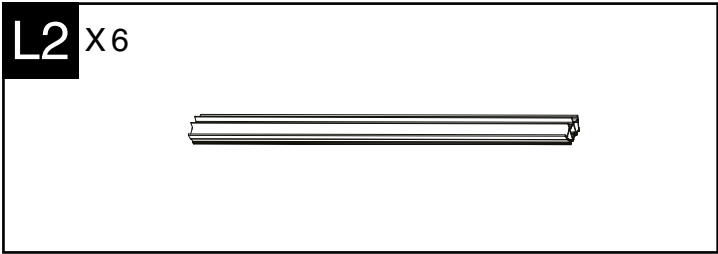
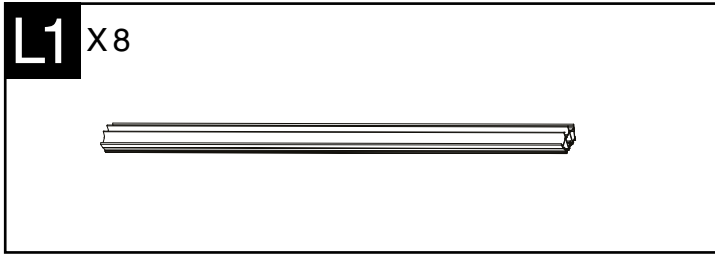
Z2 X 6




Z3 X 1



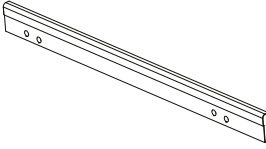




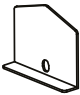
B5 x4



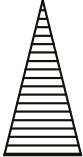
B7 x2



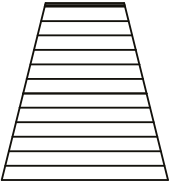
Q x14



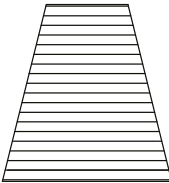
Qa x4



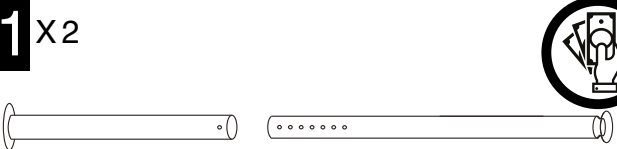
Qb x4



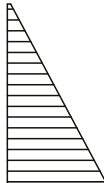
Qc x4



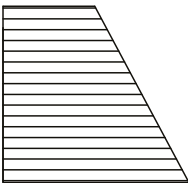
R1 x2



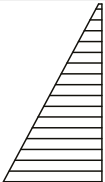
Ra x4



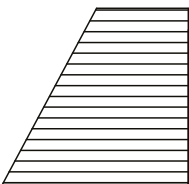
Rb x4



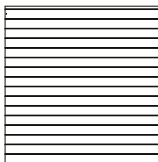
R1a x4



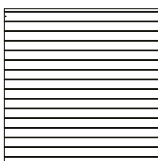
R1b x4



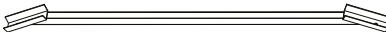
Sa x2

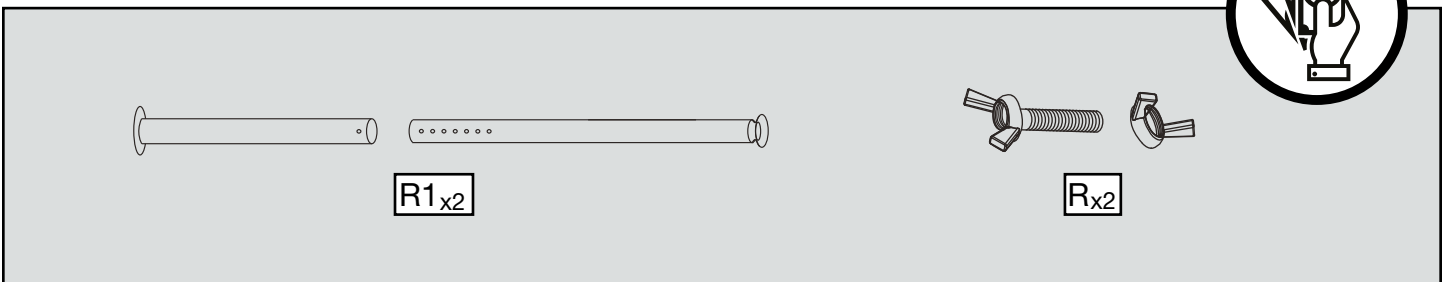
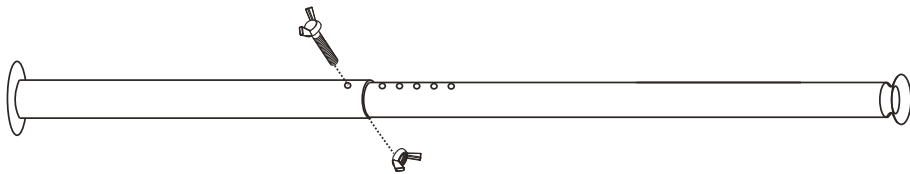
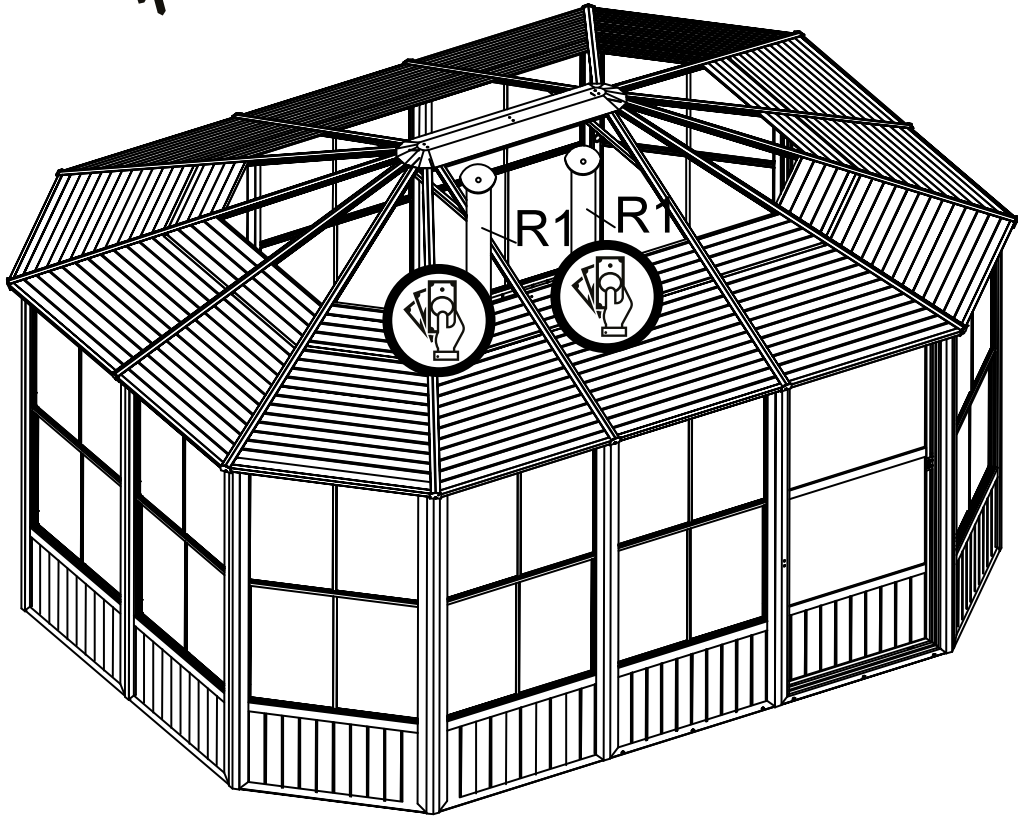


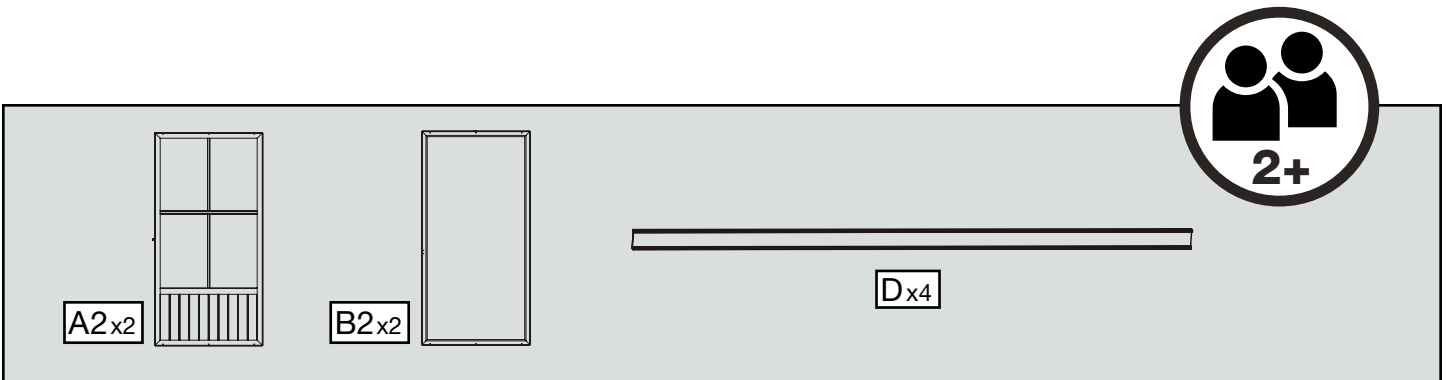
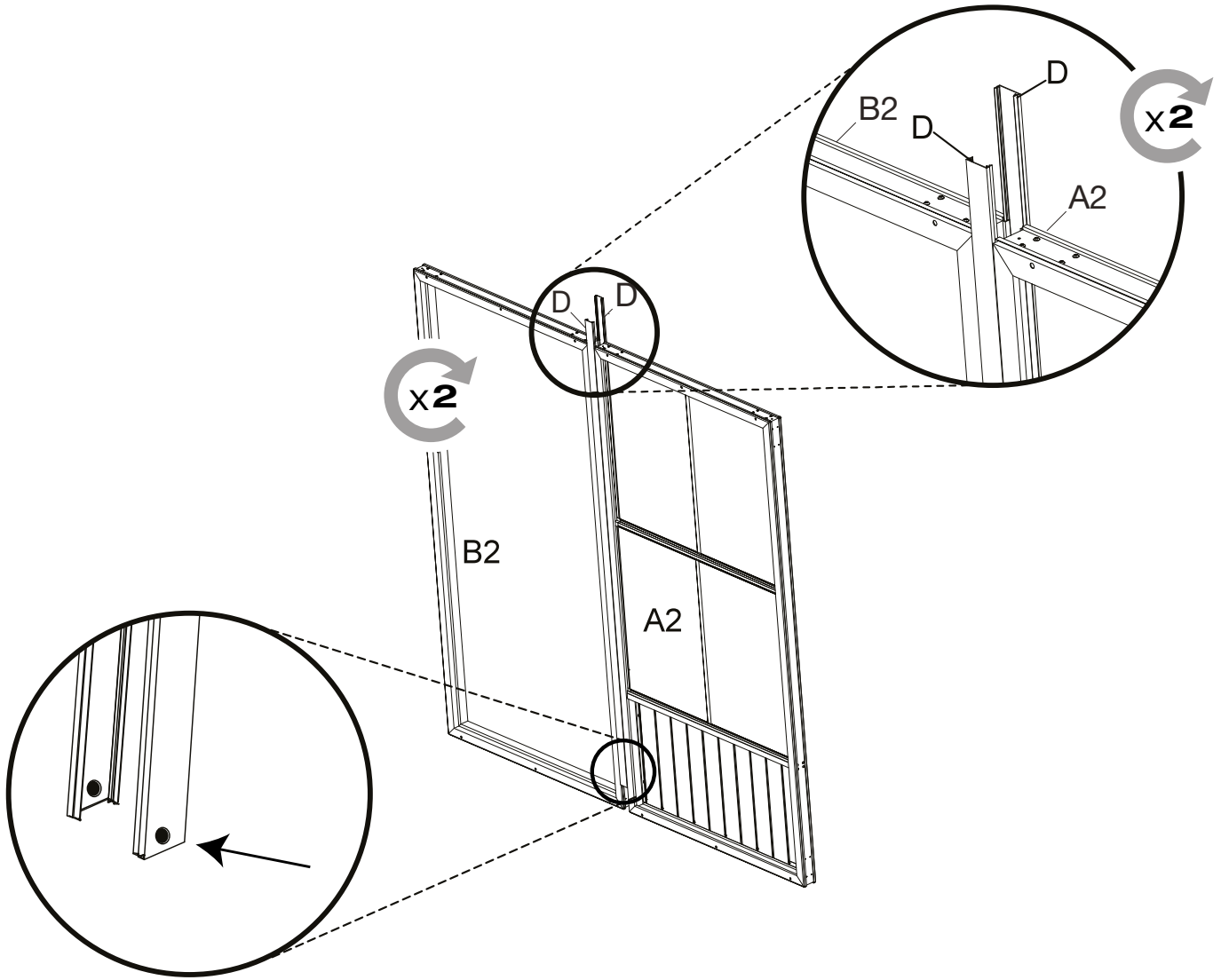
Sb x2

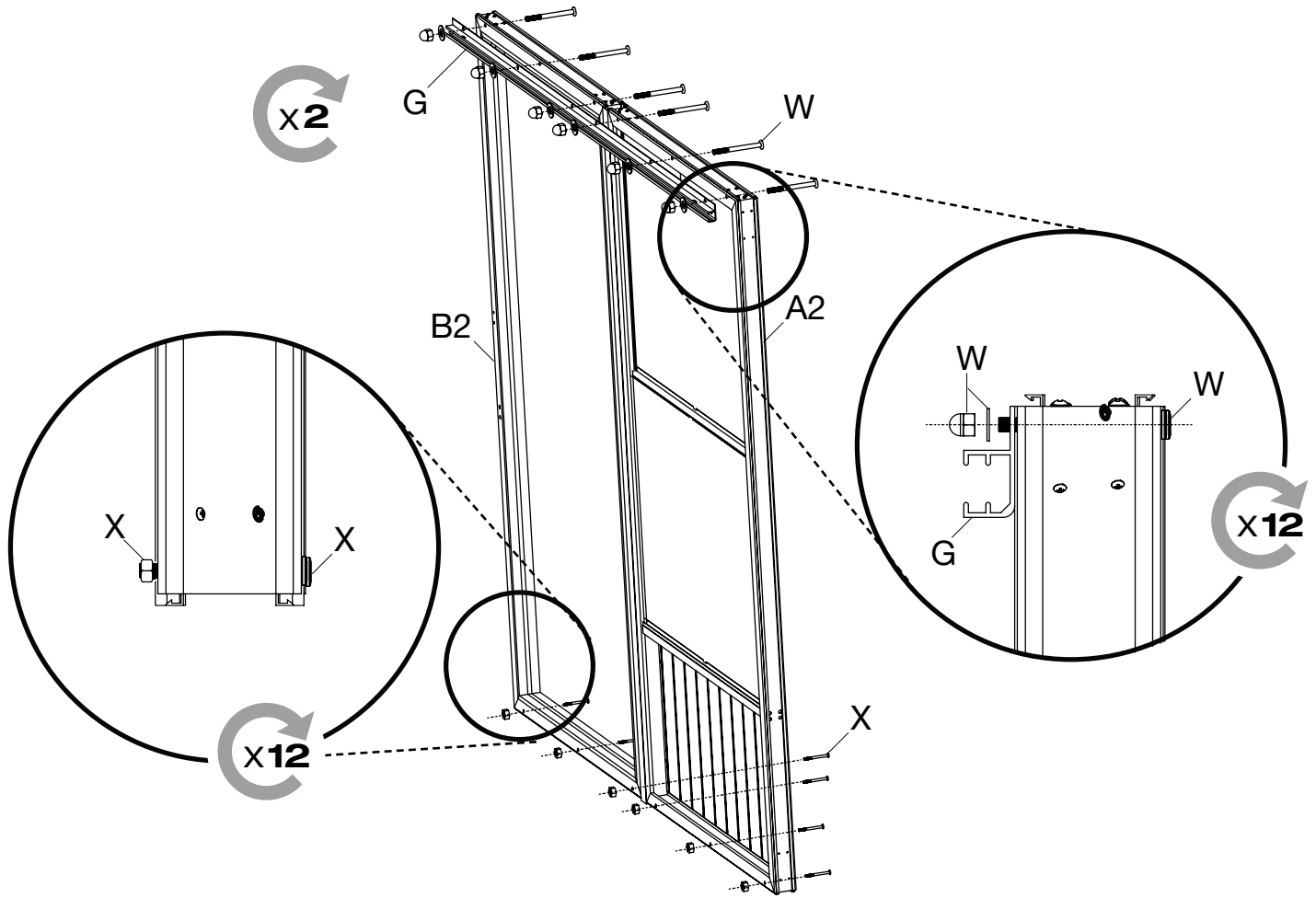


Z x2







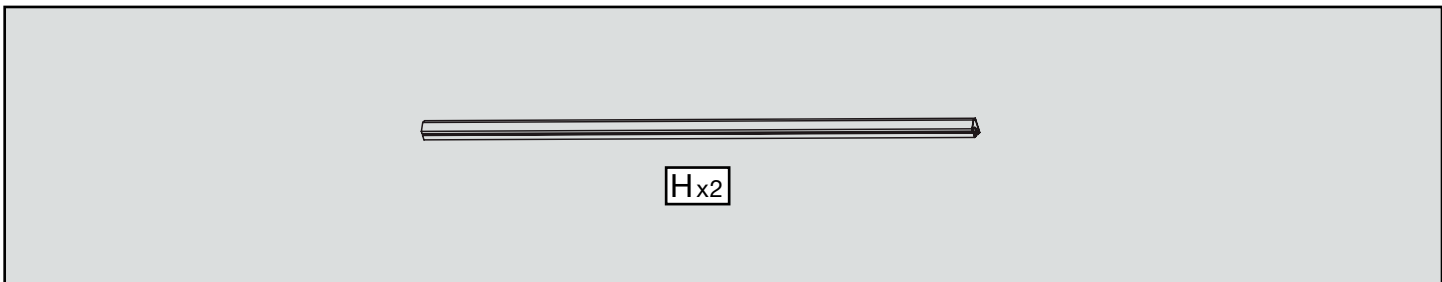
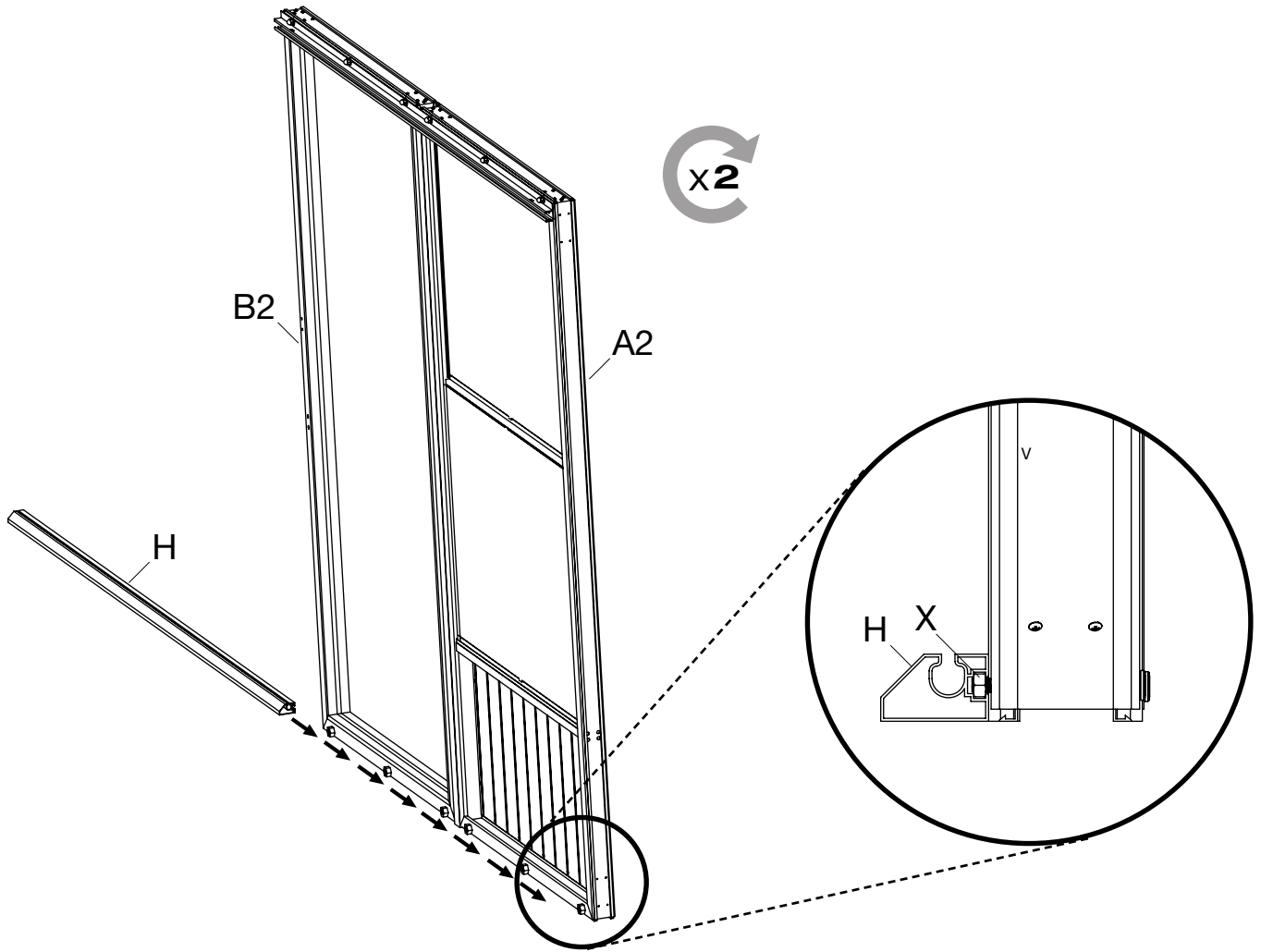


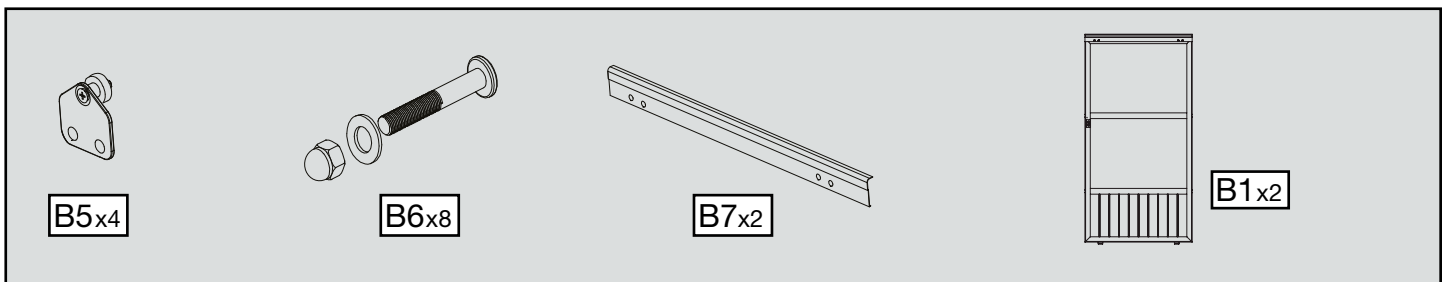
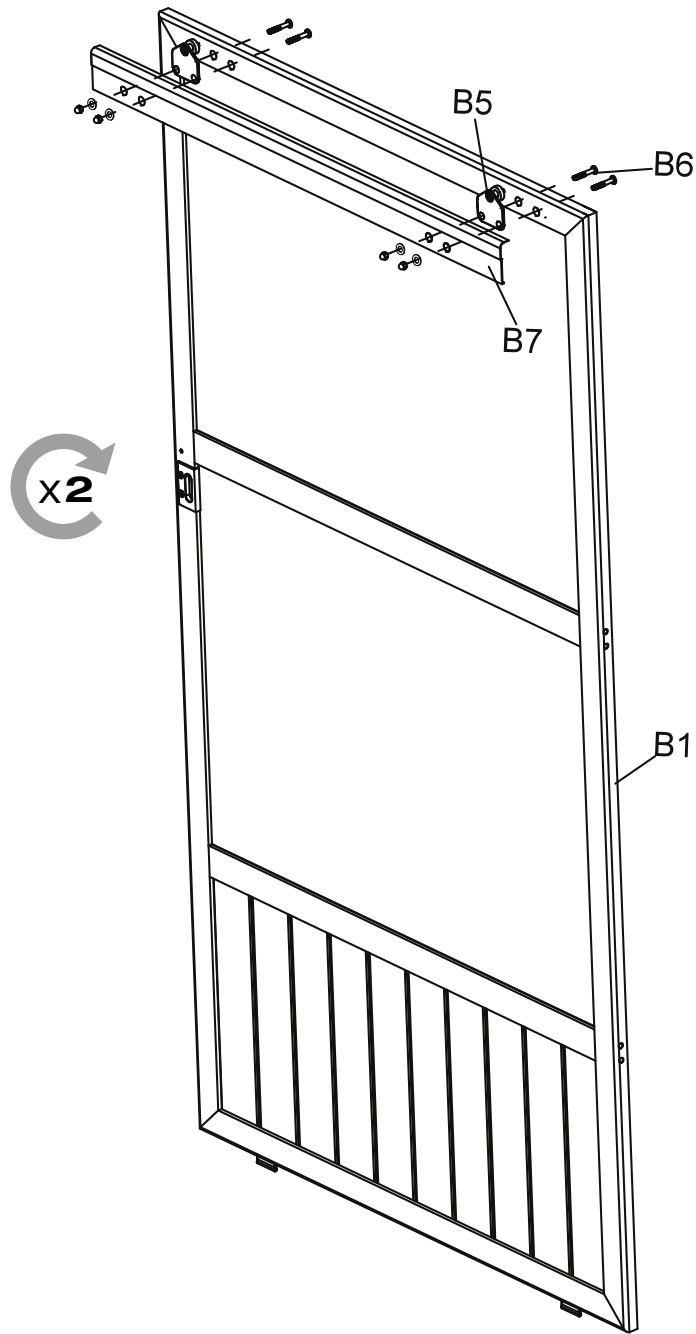
The parts list includes:

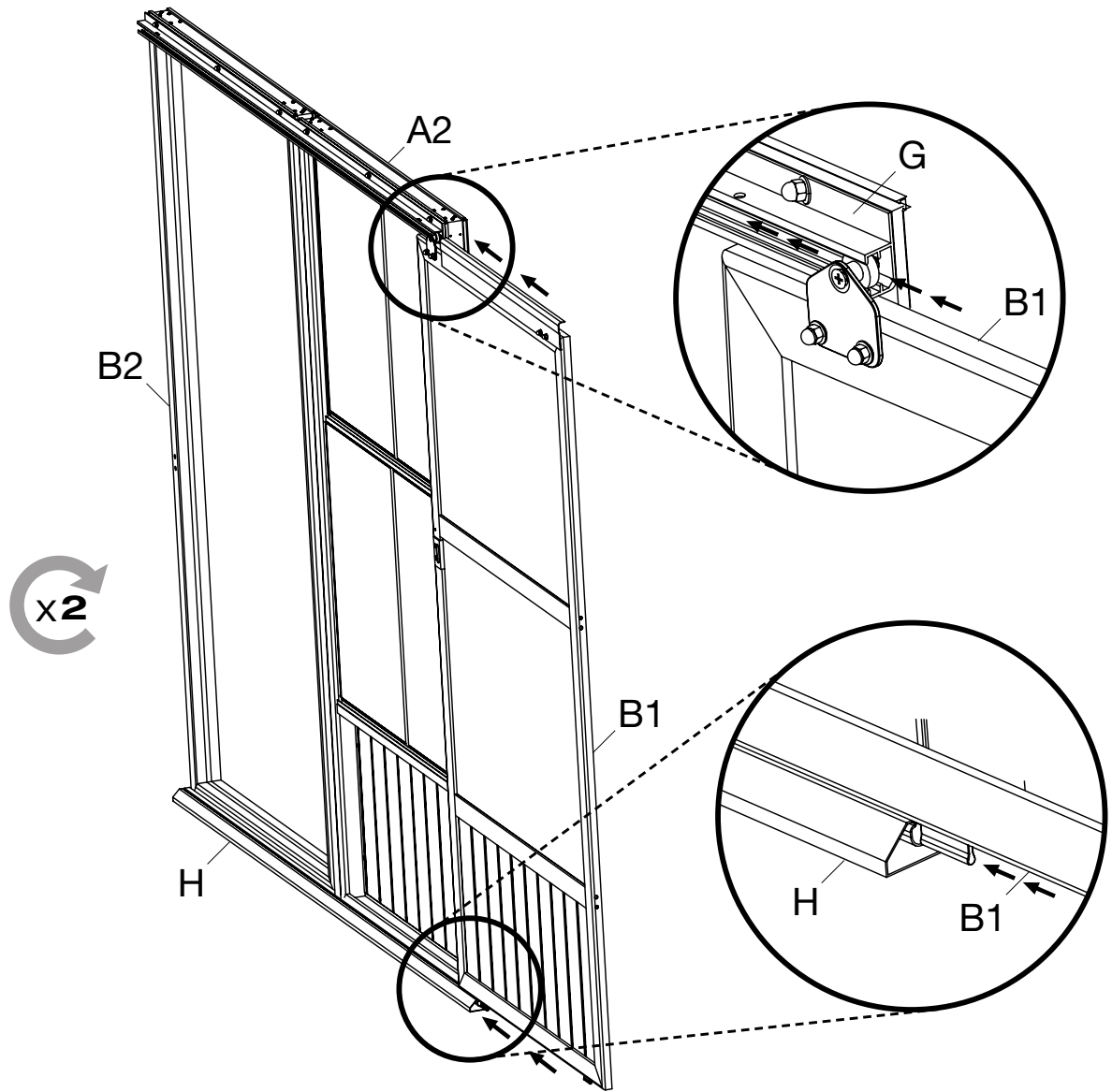
- A long rail labeled **Gx2**.
- A screw labeled **Xx12**.
- A screw labeled **Wx12**.
- A washer.

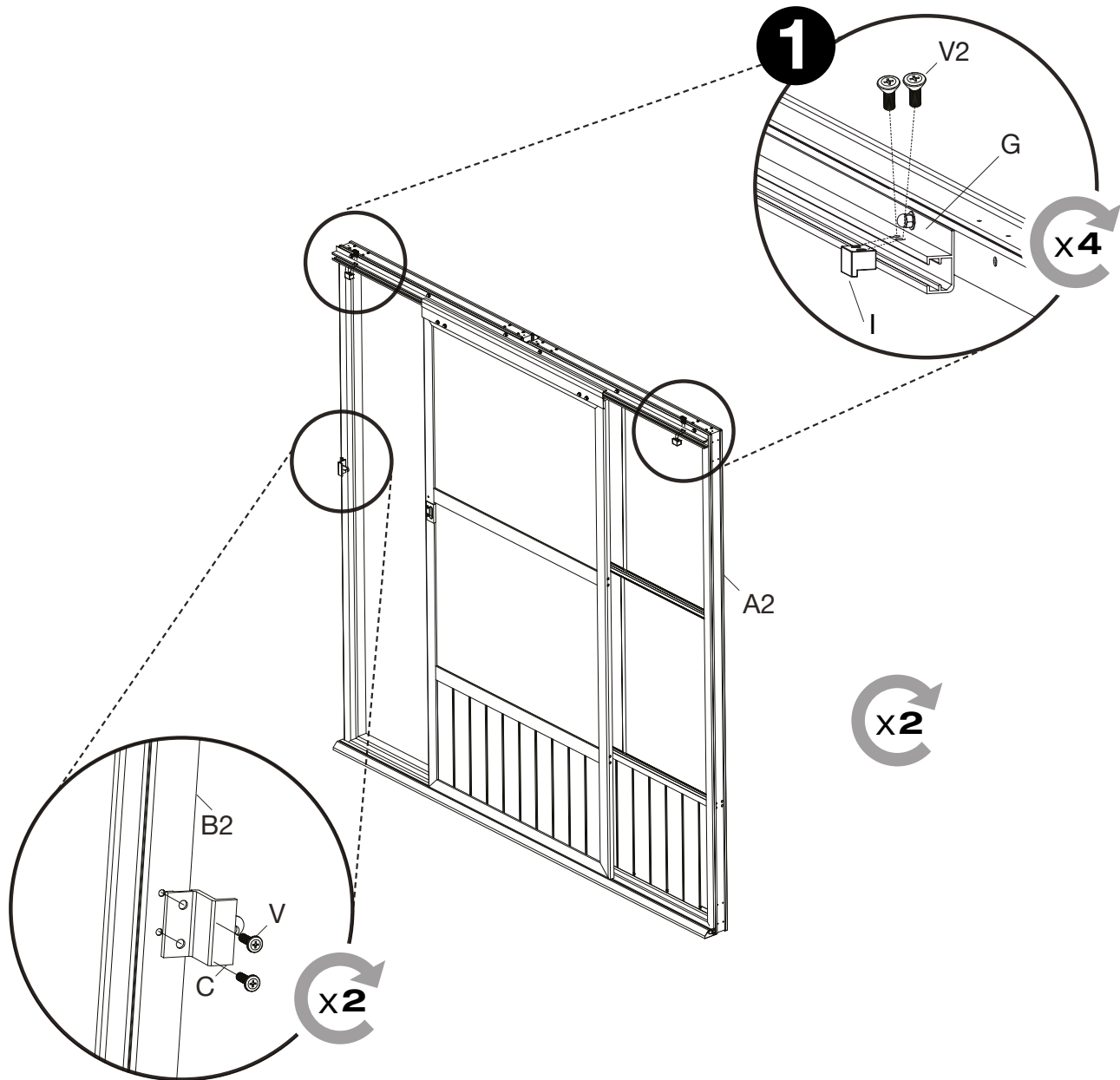
The safety icons include:

- A '2+' icon indicating that two people are required for installation.
- A 'no force' icon indicating that excessive force should not be used during installation.





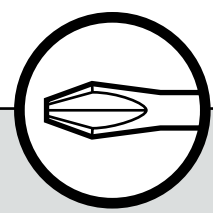




x2

x4

x2



Cx2



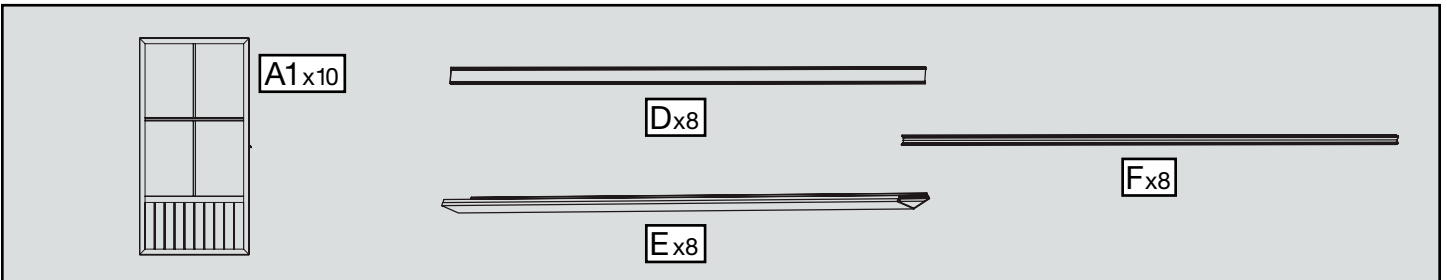
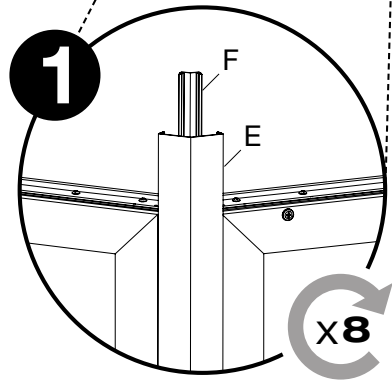
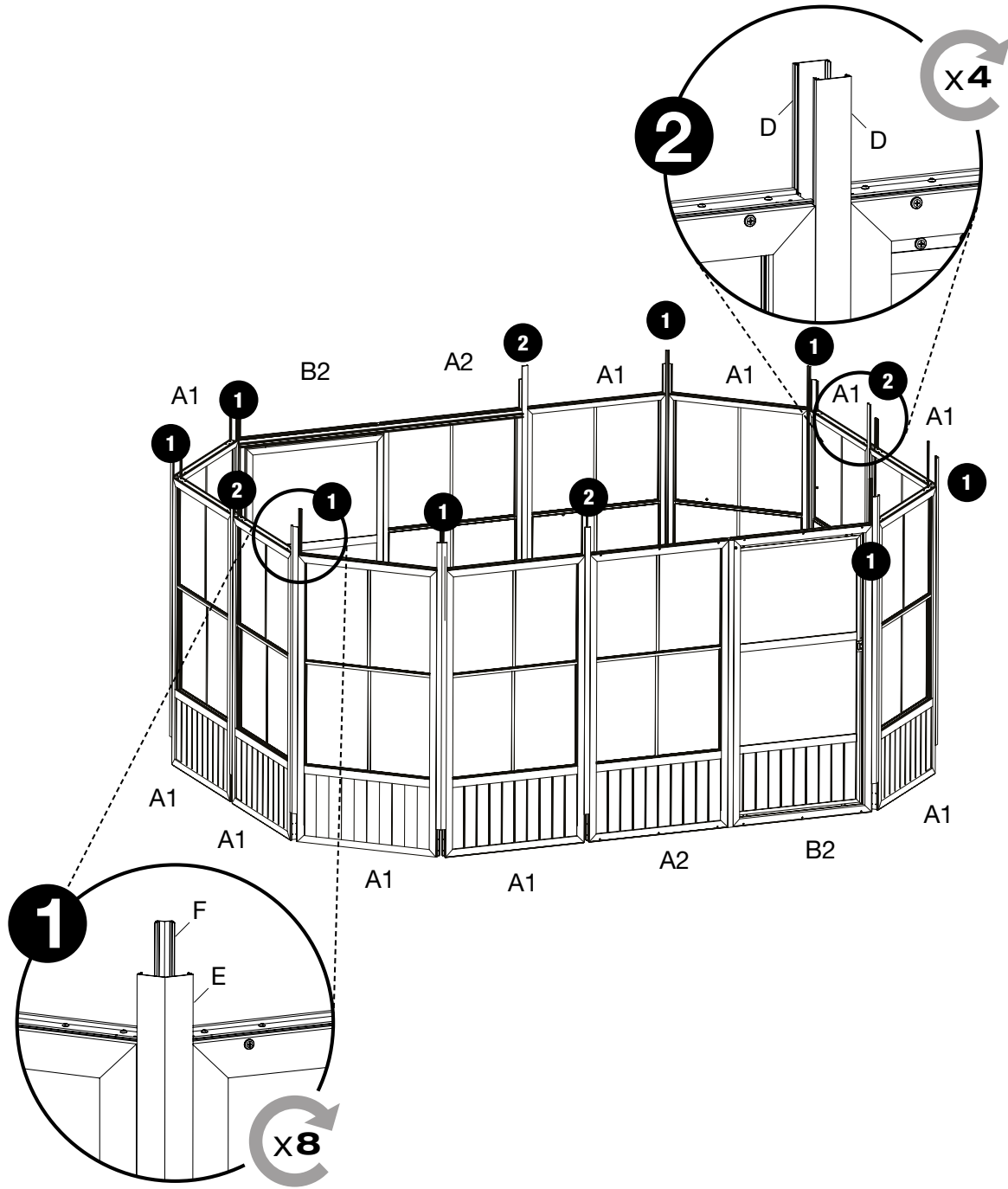
Ix4

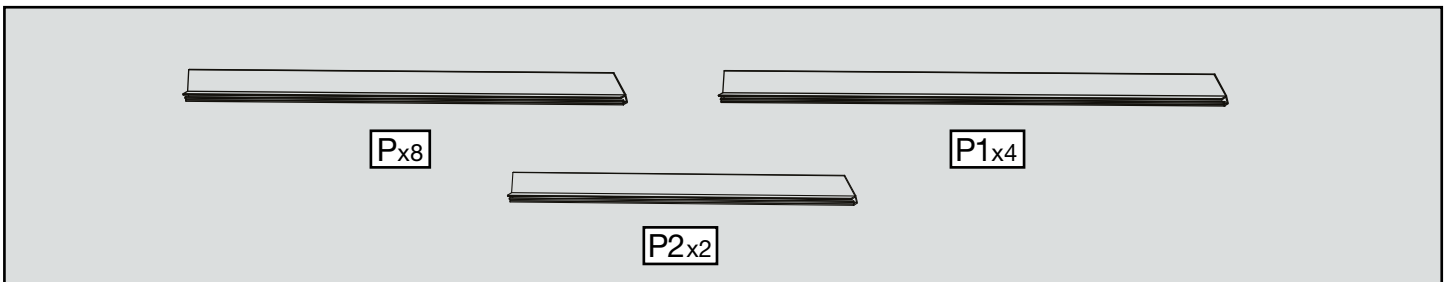
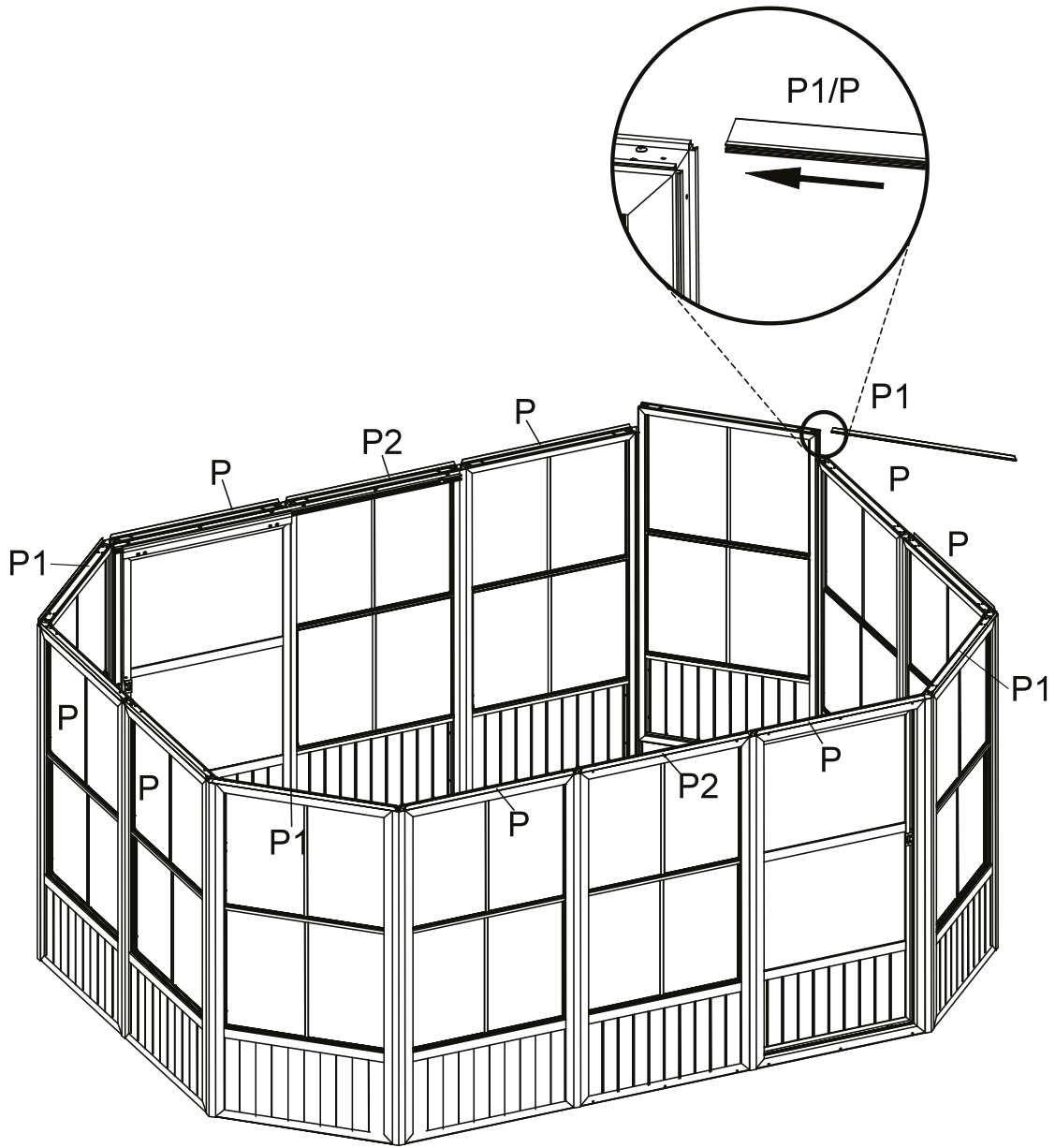


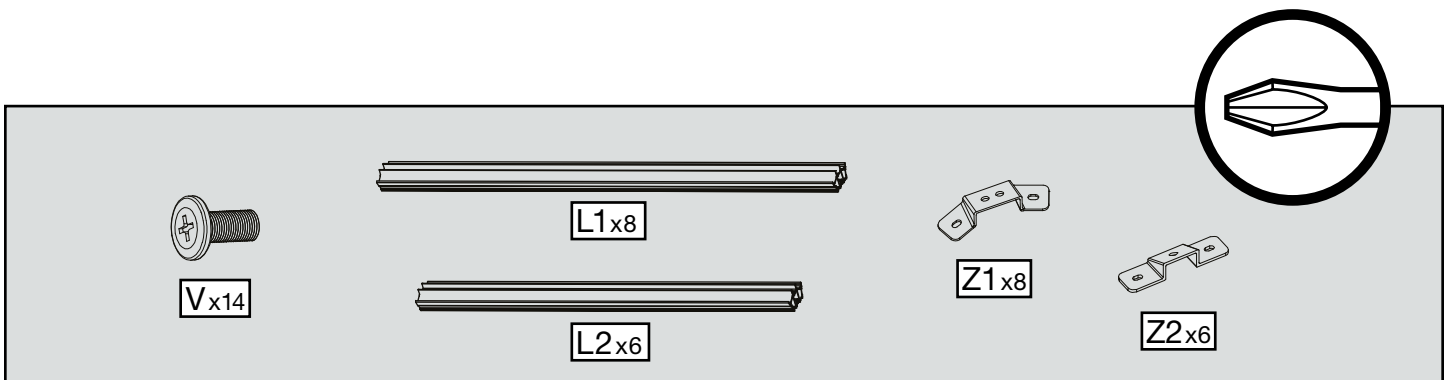
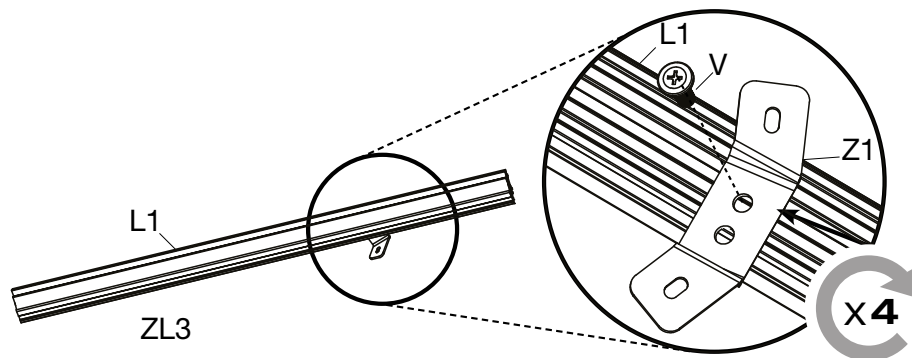
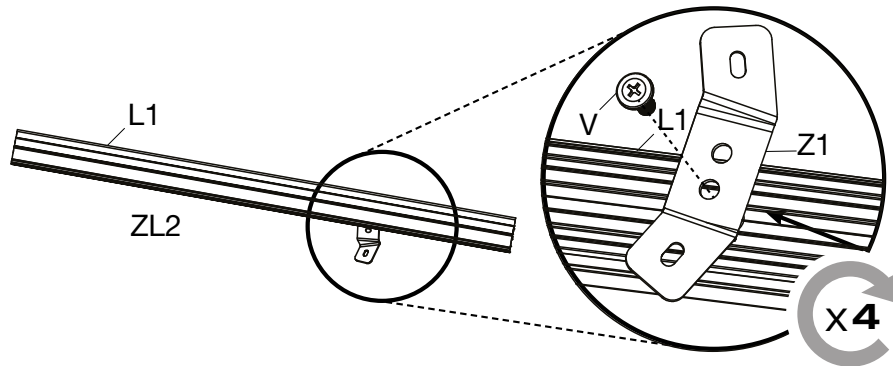
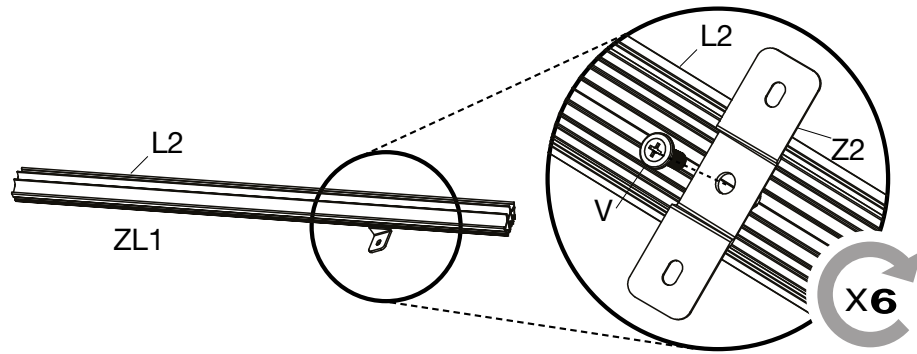
V2x8

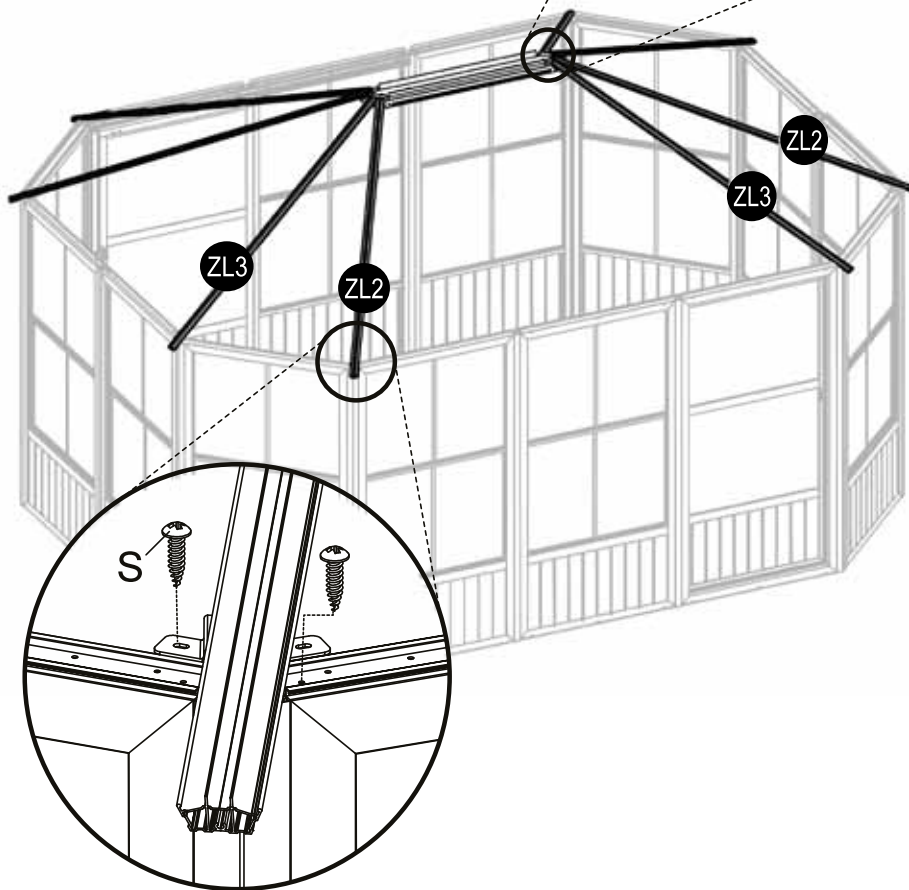
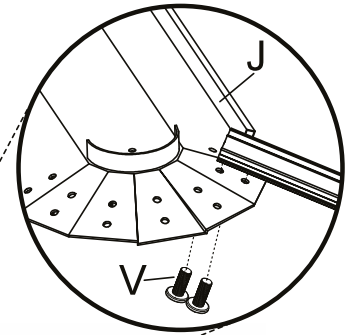
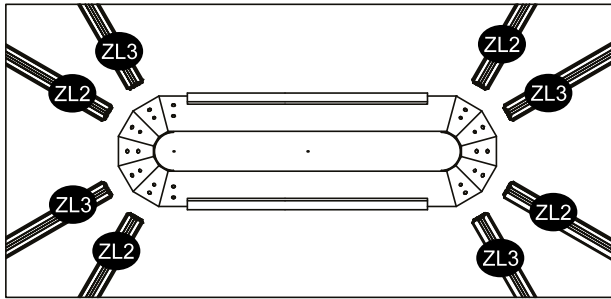


Vx4

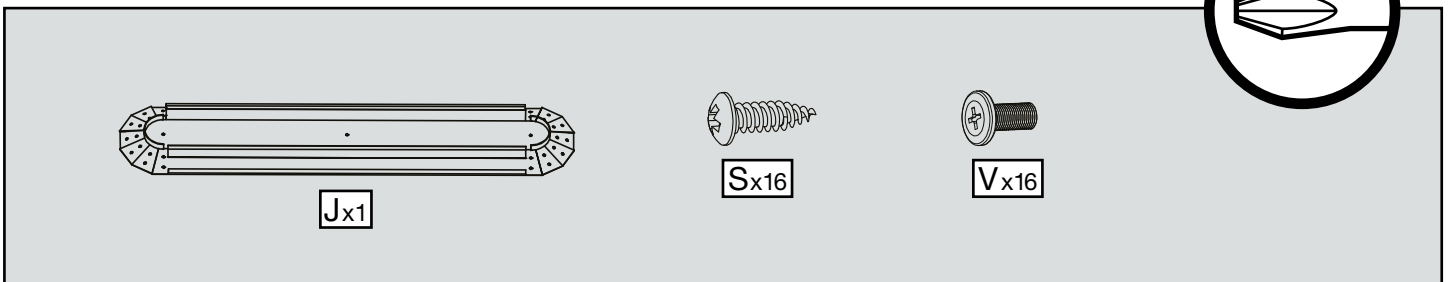


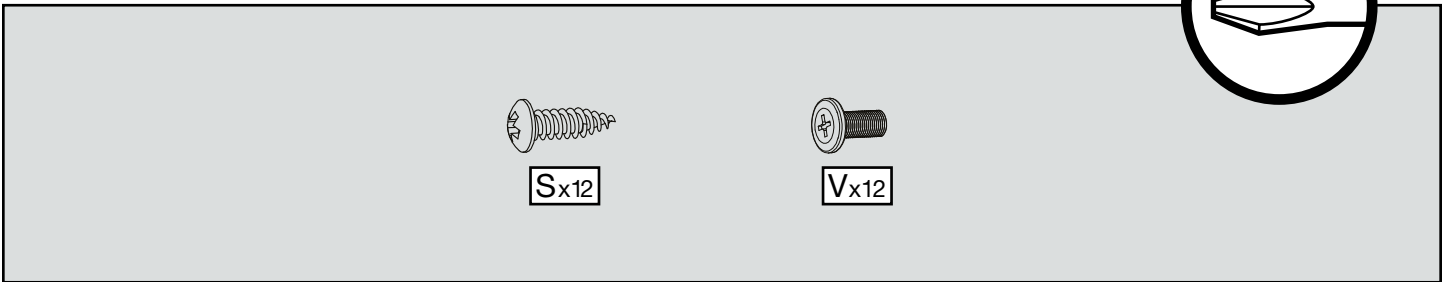
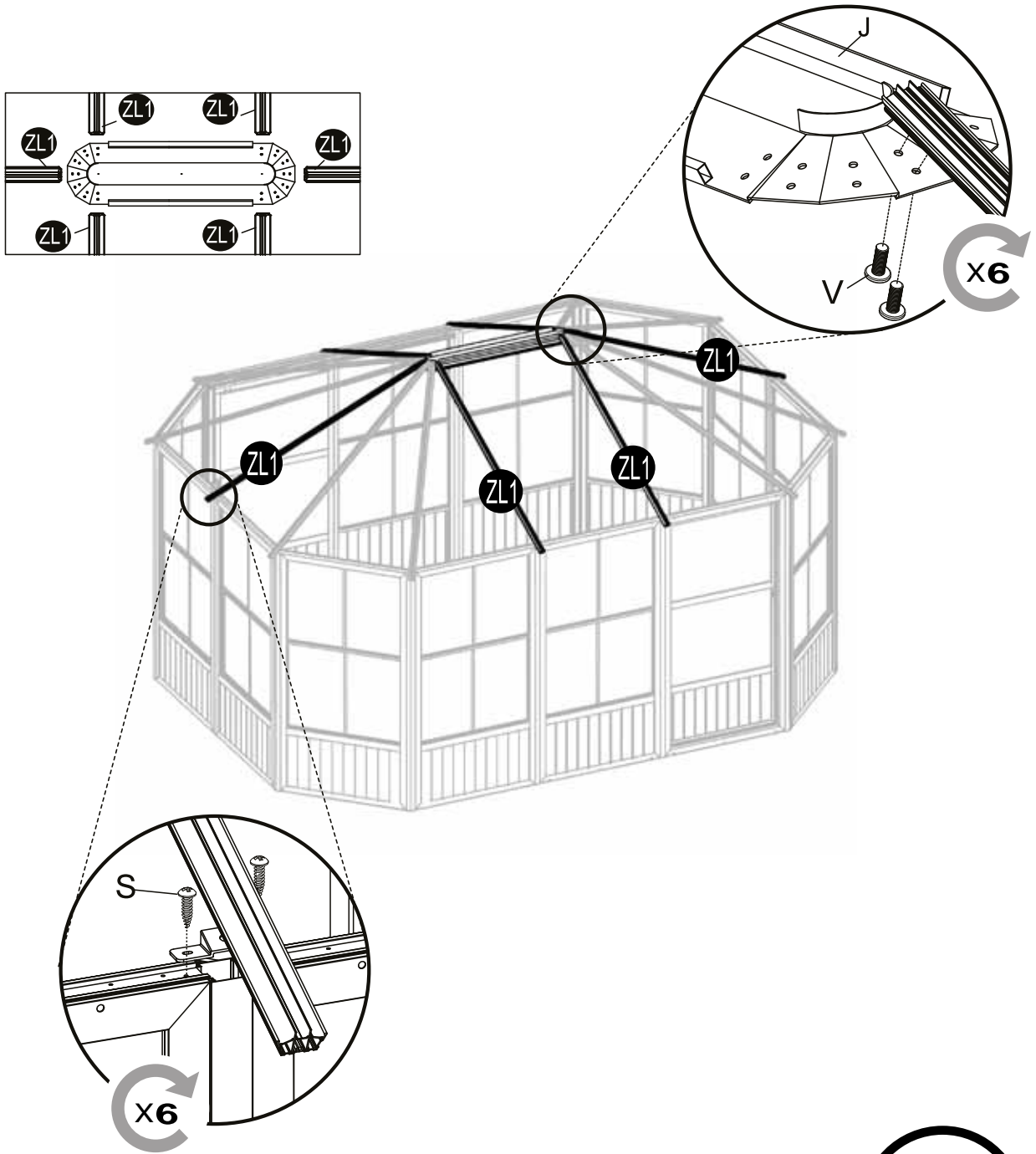


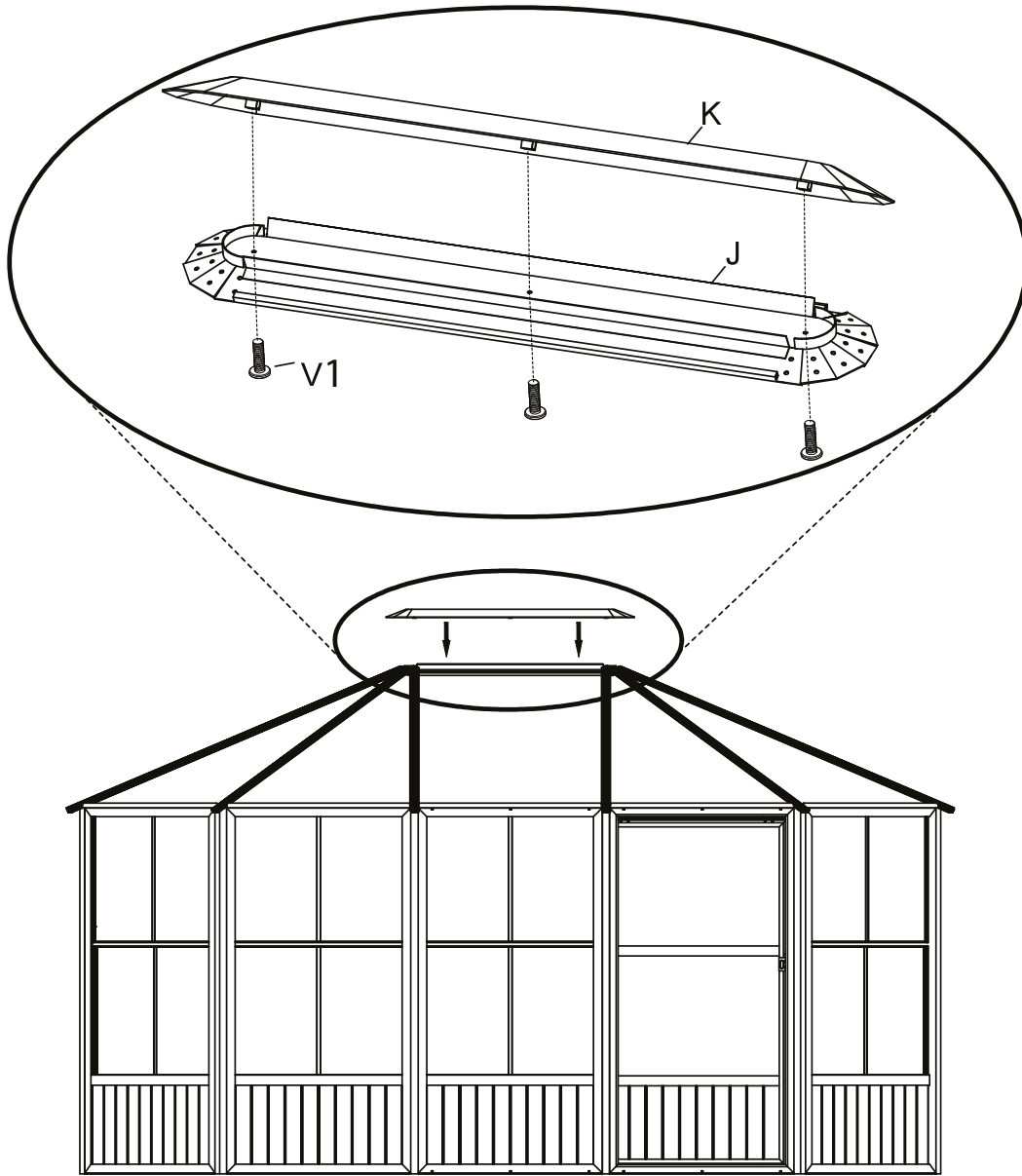




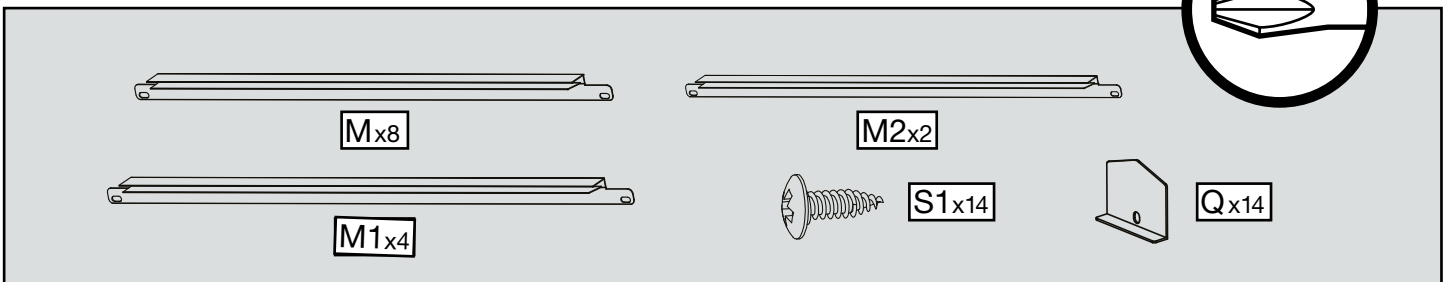
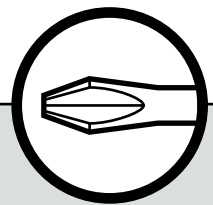
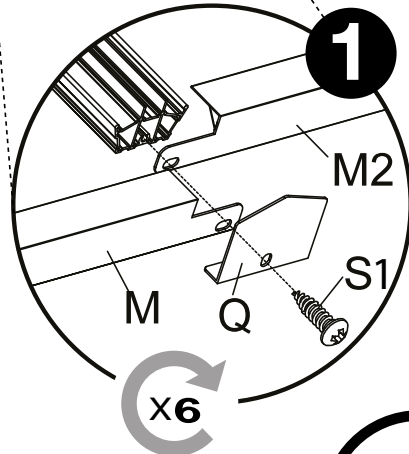
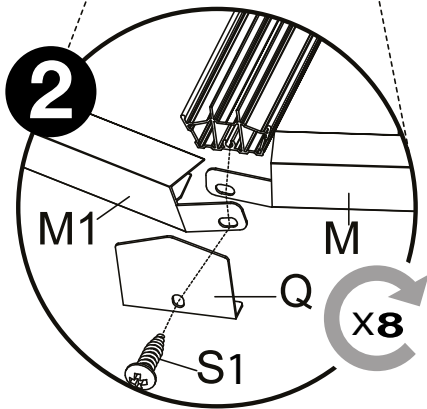
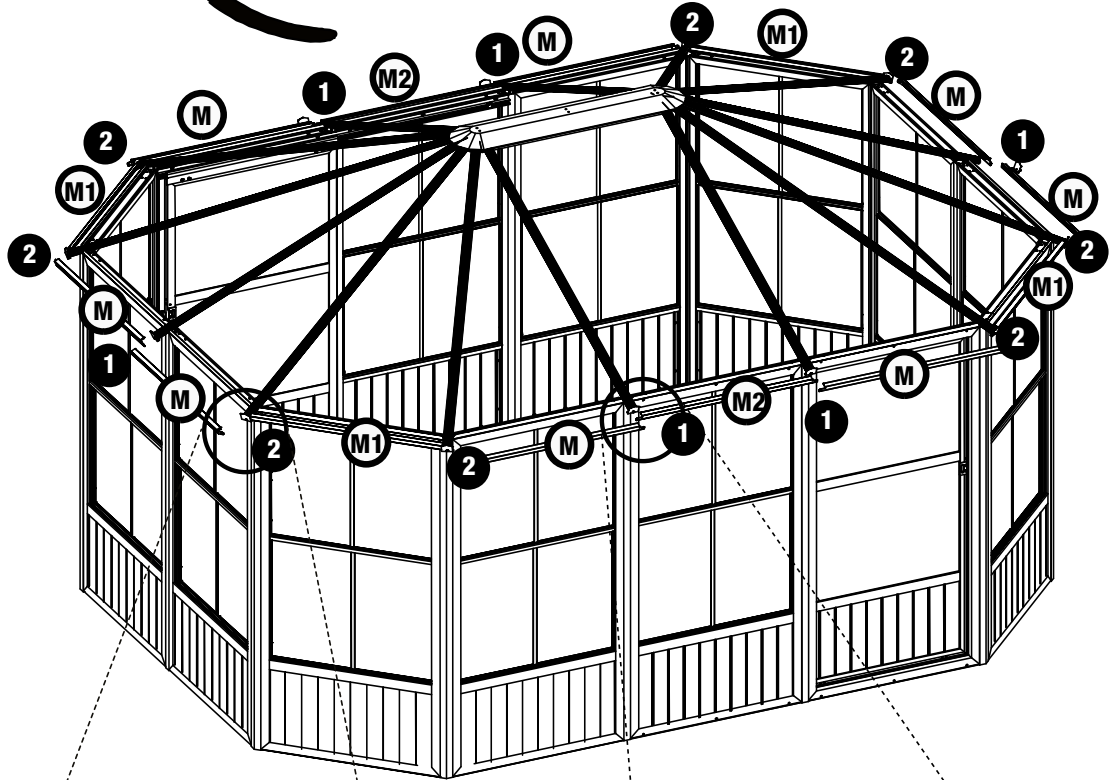
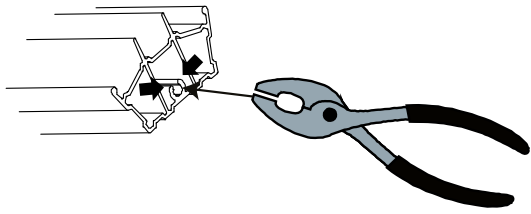
x8

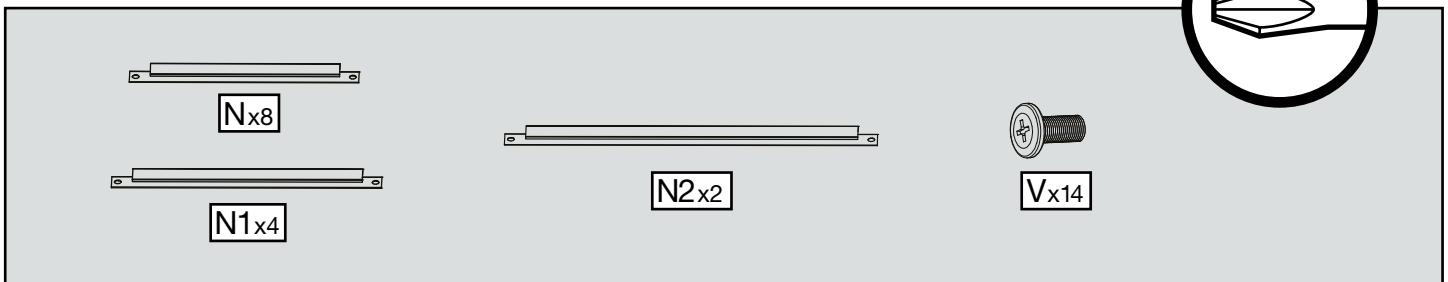
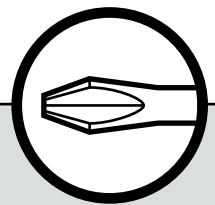
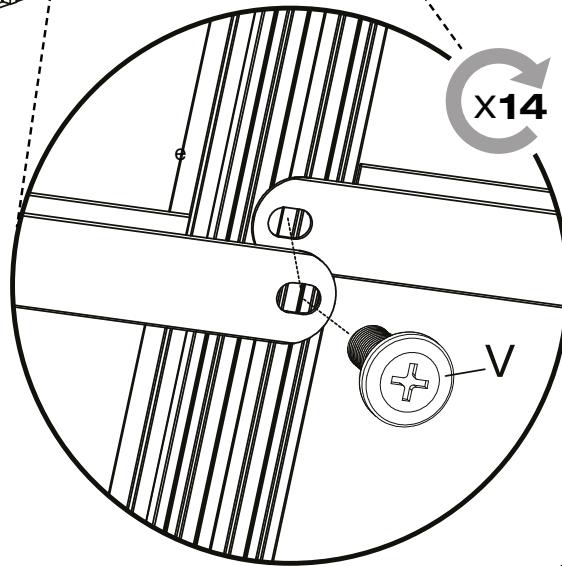
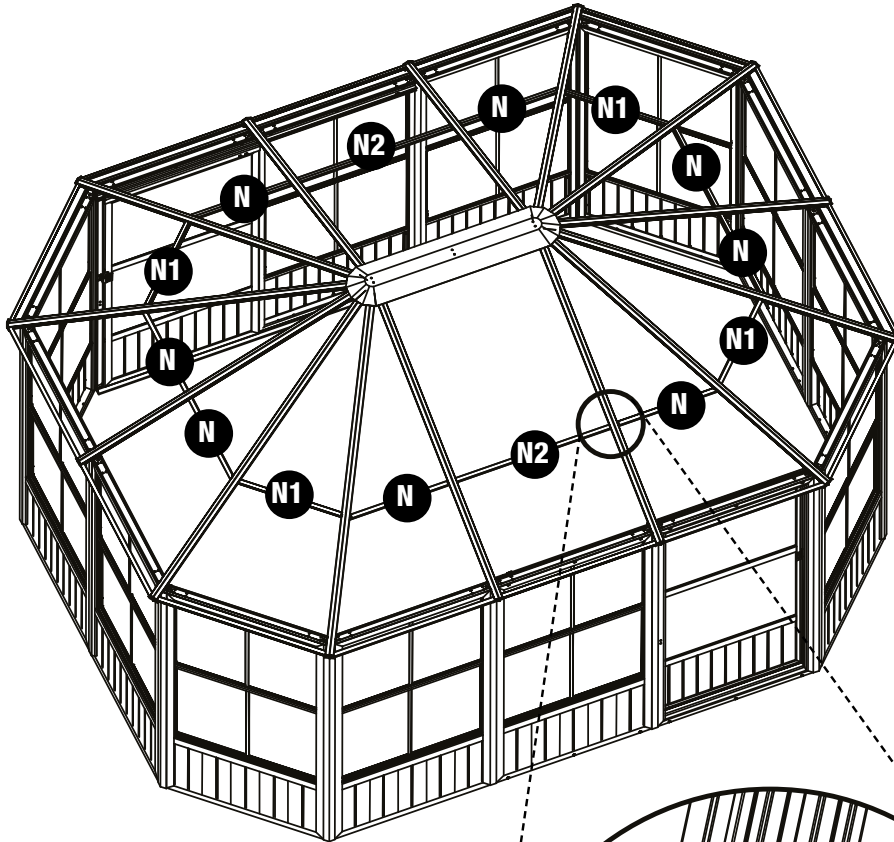


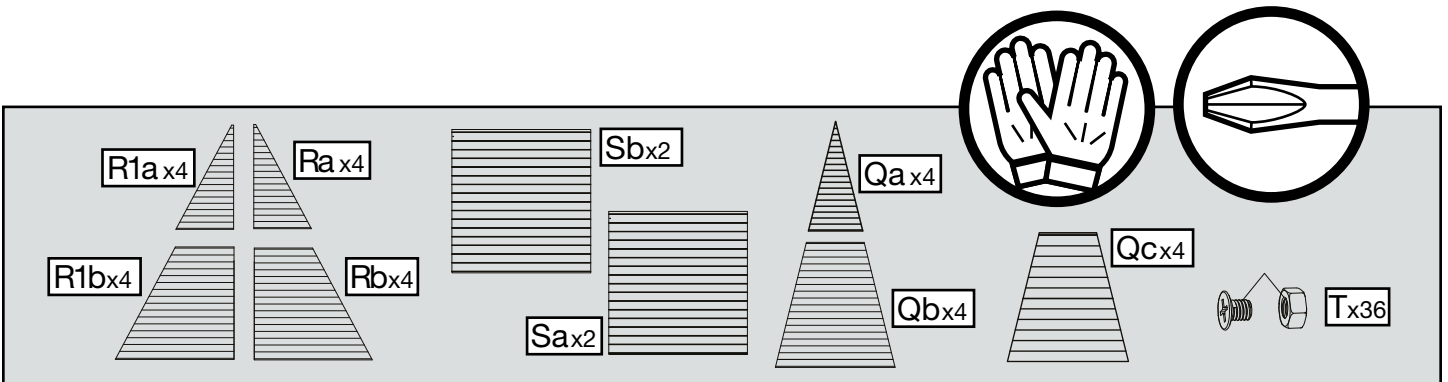
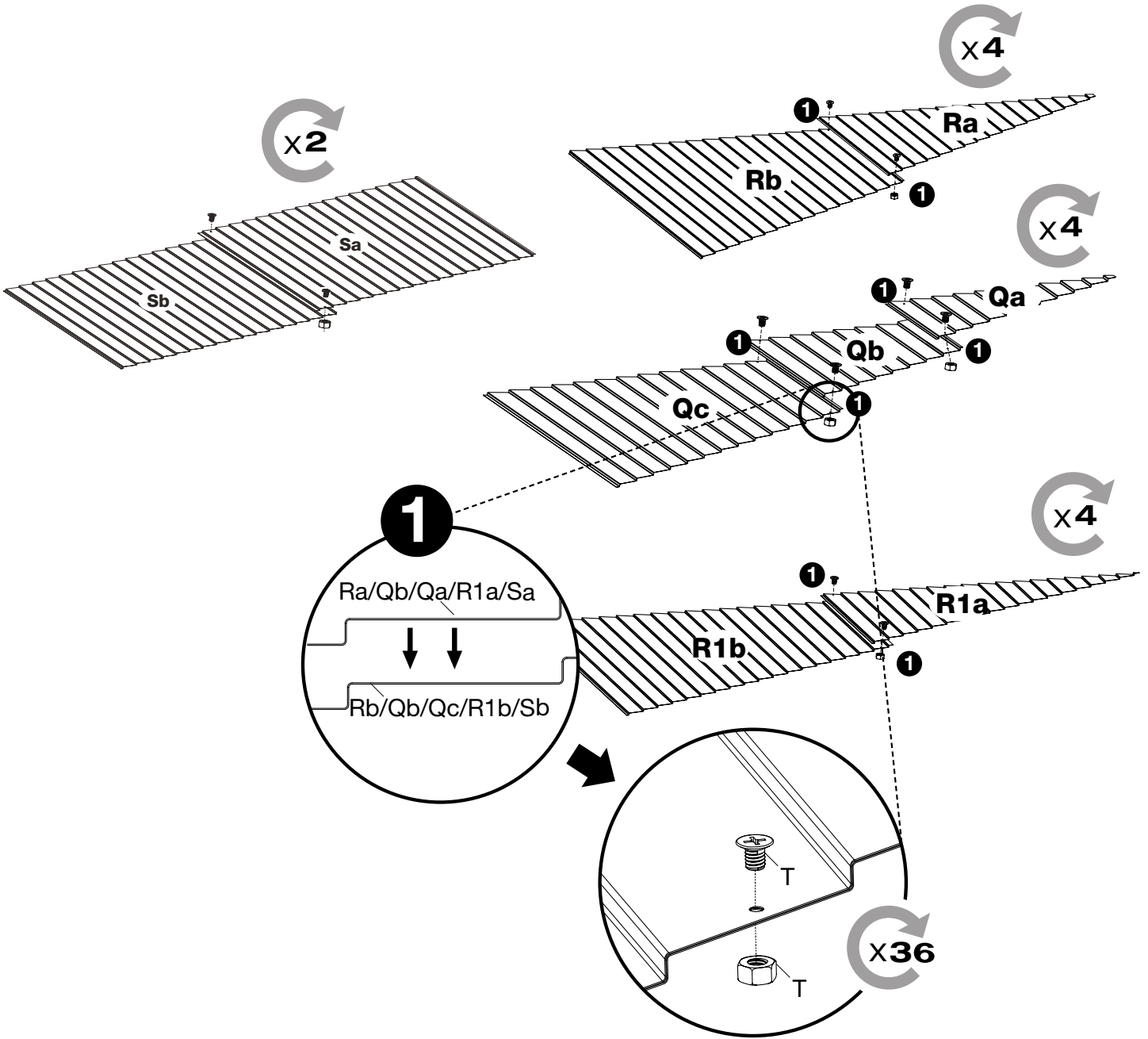


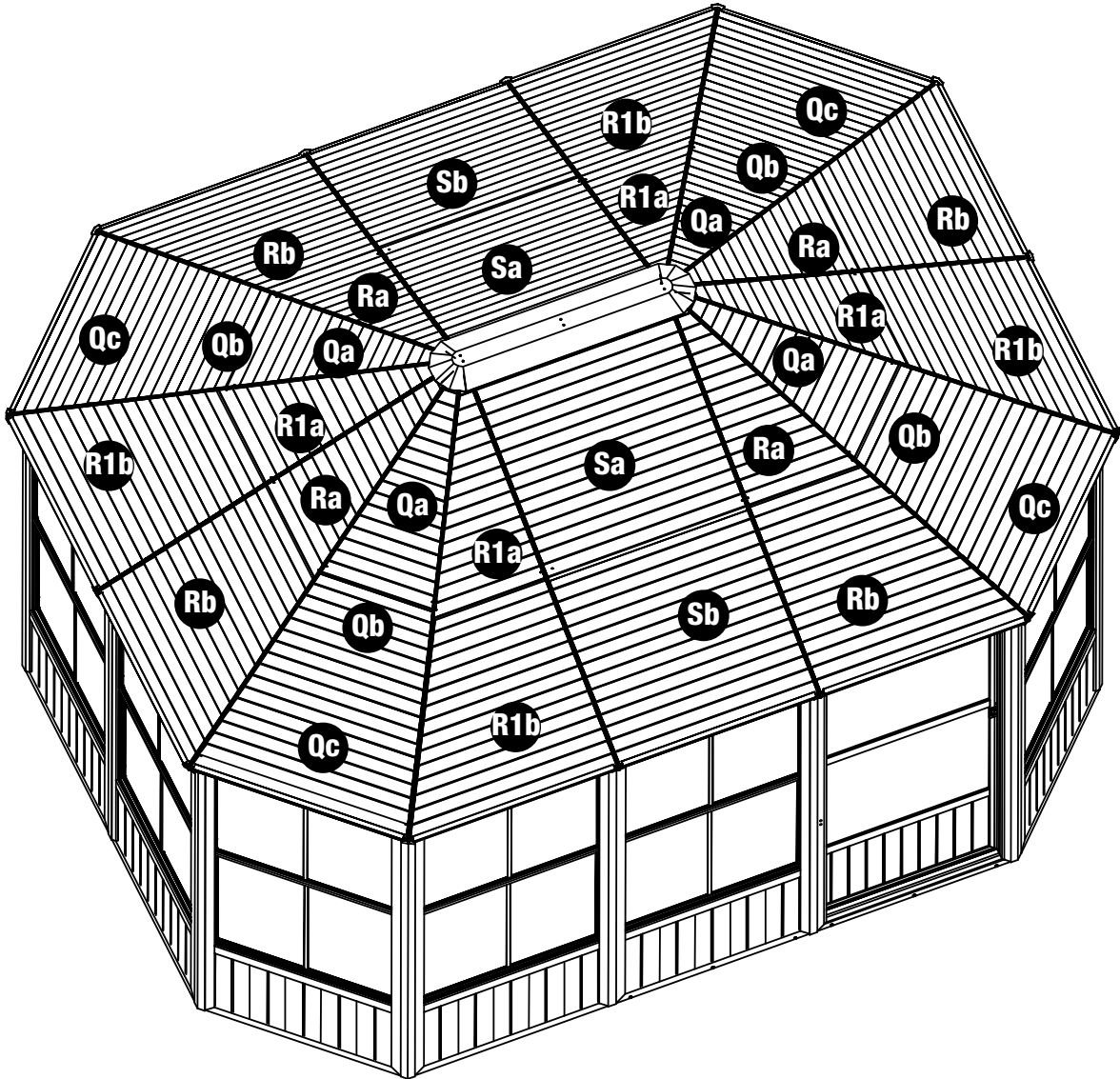


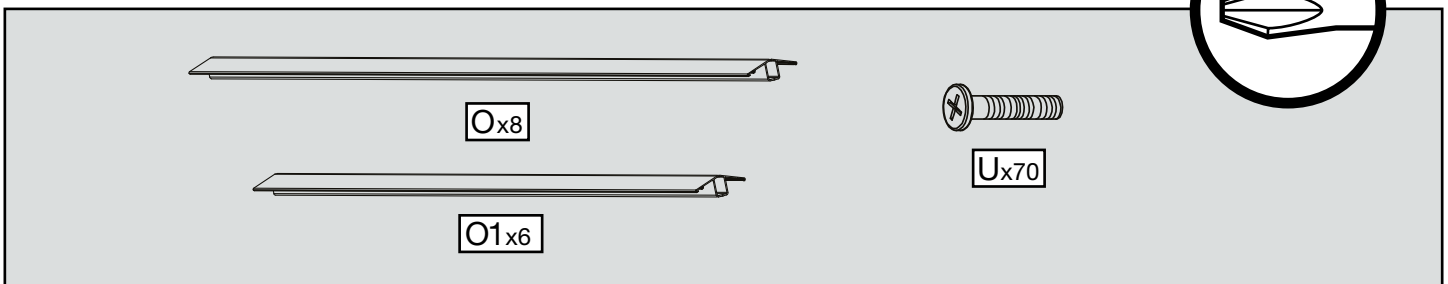
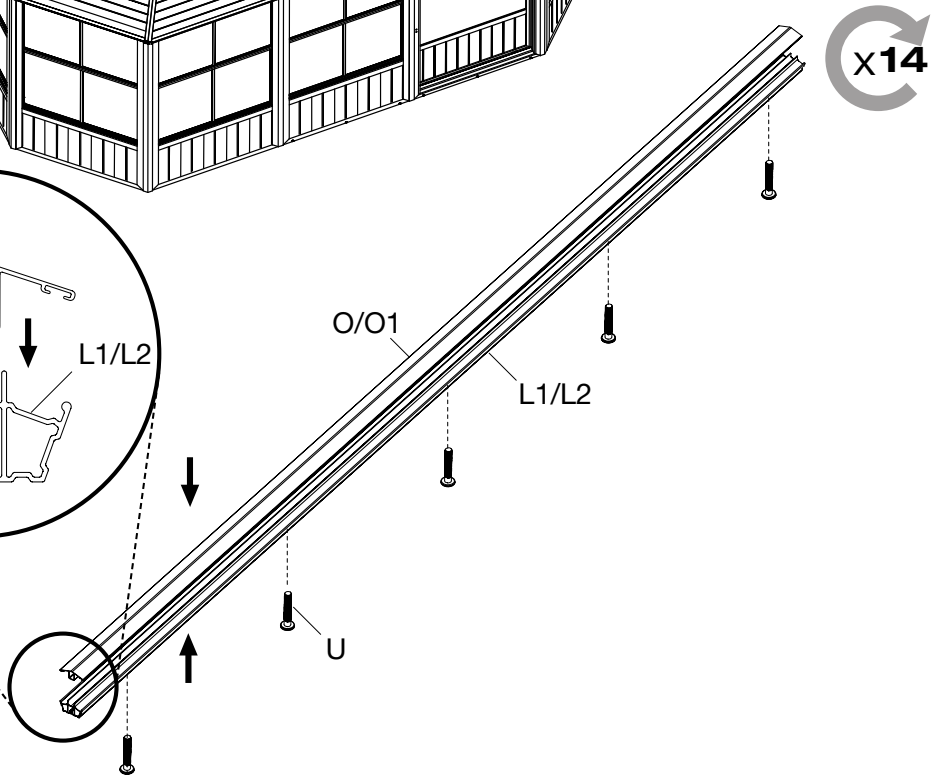
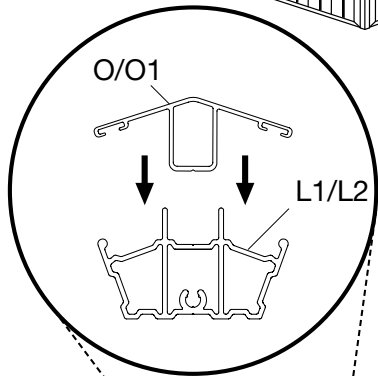
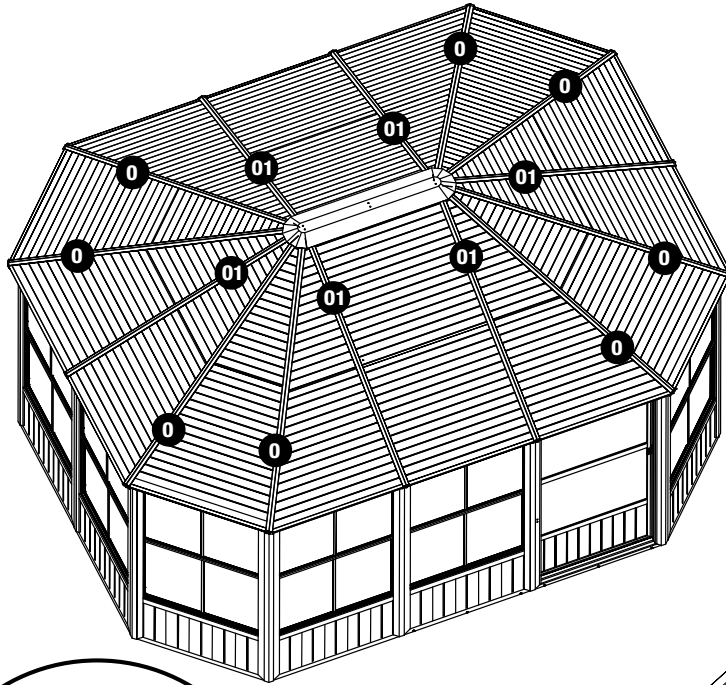
This section contains a parts list and safety instructions. On the left, a long, thin, tapered component is shown with the label 'Kx1' below it. To its right is a screw with the label 'V1x3' below it. On the right side of the block, there are two circular icons: the first shows a hand with a diagonal line through it, indicating that the part should not be touched with bare hands; the second shows a pair of pliers, indicating that pliers should be used for installation.

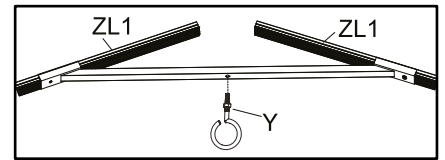
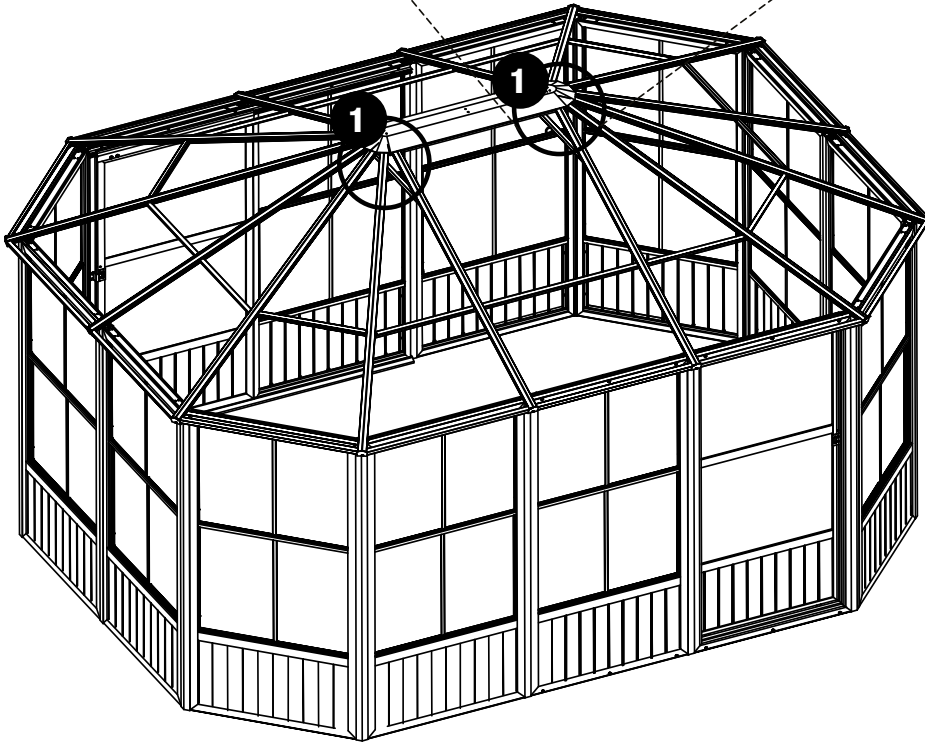
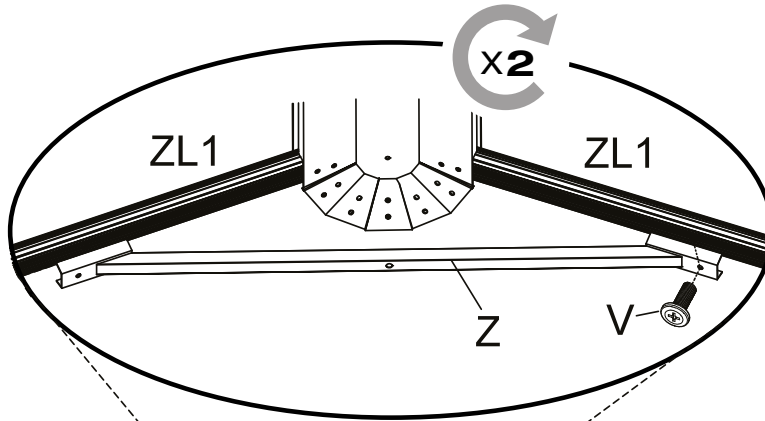












A parts list and safety section. On the left, a long beam is labeled Zx2. Below it, a screw is labeled Vx4. To the right, a hook is labeled Yx2. On the right side of the section, there are two circular icons: the first shows a hand with a diagonal line through it, indicating no manual force; the second shows a pair of pliers, indicating that pliers should be used.

