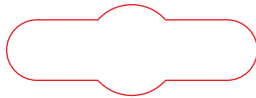





# DECO- RATE YOUR- SHELF®





## SelectMini Matt Silver



max 200 mm    max 400 mm    4-24 mm

max 200 mm


1

2

3

25  
KG  
MAX

10  
KG  
MAX



www.duraline.eu

Fetim b.v. Amsterdam

The diagram illustrates the installation of the SelectMini Matt Silver light fixture. It shows a perspective view of the fixture with dimensions: a maximum width of 400 mm, a maximum depth of 200 mm, and a mounting hole diameter of 4-24 mm. Three numbered steps are provided: 1. Lowering the fixture into the hole. 2. Tightening the mounting screw. 3. Raising the fixture into the hole. Below these steps, the required hardware is shown: a screw, a sleeve, and a drill bit with a 6 mm diameter. Two weight capacity icons are shown: one for 25 KG MAX (top) and one for 10 KG MAX (bottom). A recycling symbol is located in the bottom left corner of the diagram area.

1130253

