



Paulmann

IP20



Info

www.paulmann.com

Paulmann Licht GmbH
Quezinger Feld 2
31832 Springe
Germany

www.paulmann.com

Art.-Nr.: 709.13



PEO 12/18



1x



1x

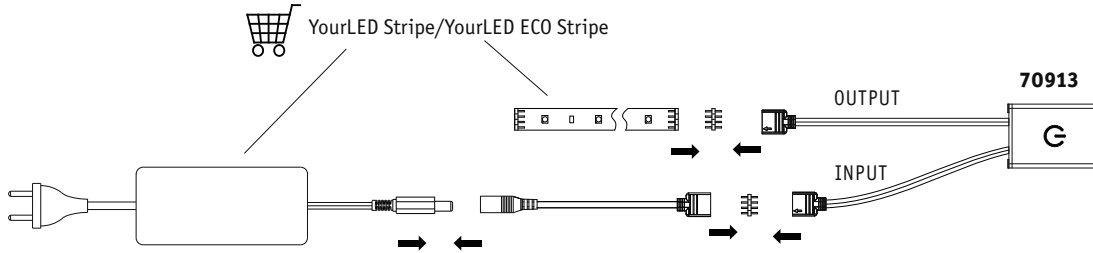


1x



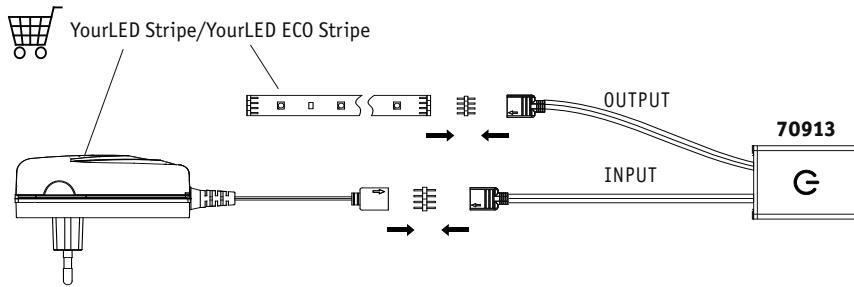
2x

A

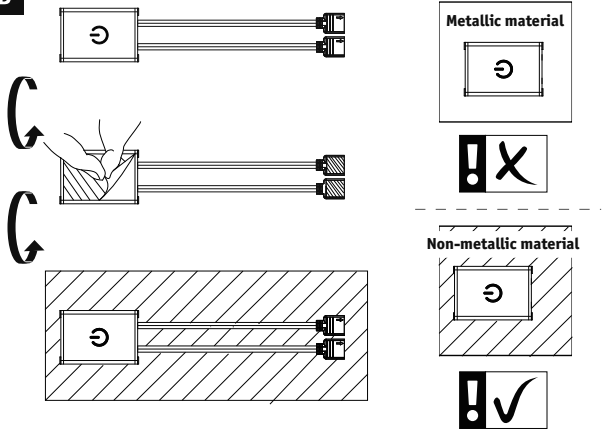


YourLED Stripe/YourLED ECO Stripe !✓

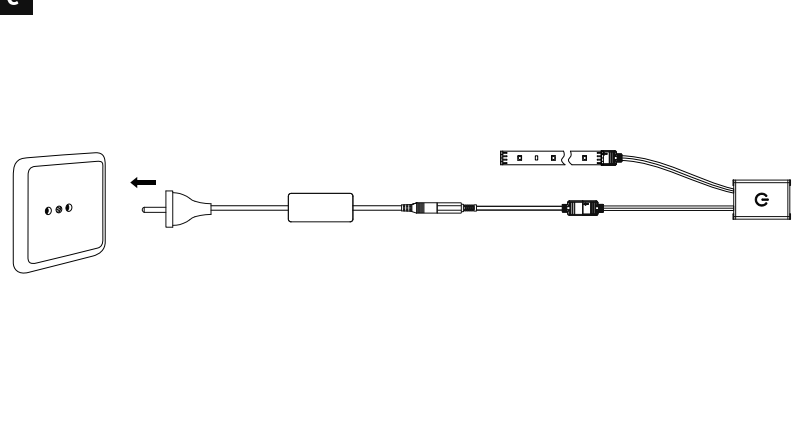
YourLED Stripe RGB !✗



B



C



D

Touch < 0.5s → On/Off

Touch > 0.5s → > 0.5s →

or > 0.5s →

