



Paulmann

IP20



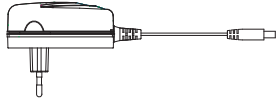
Info

www.paulmann.com

Paulmann Licht GmbH
Quezinger Feld 2
31832 Springe
Germany

www.paulmann.com

Art.-Nr.: 709.56



1x



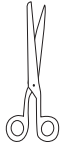
1x



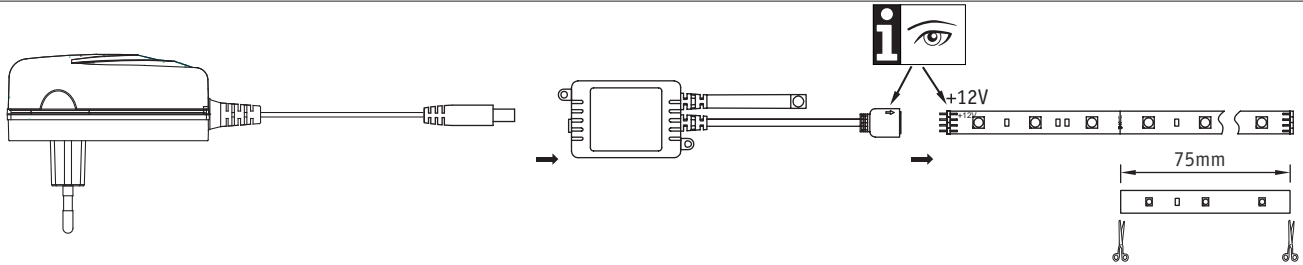
1x

PLIR 03/18

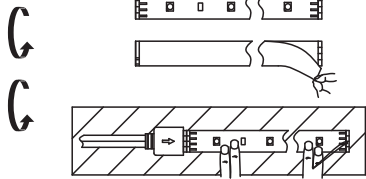
1x



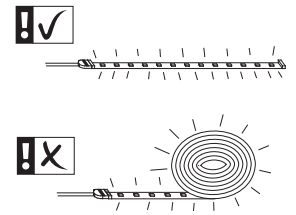
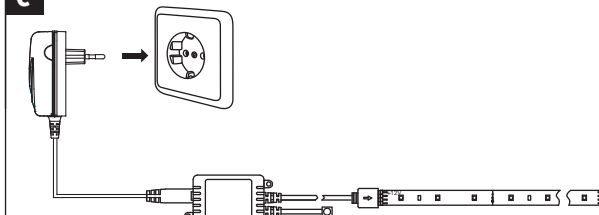
A



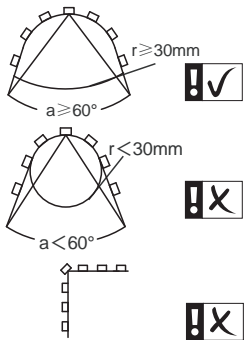
B



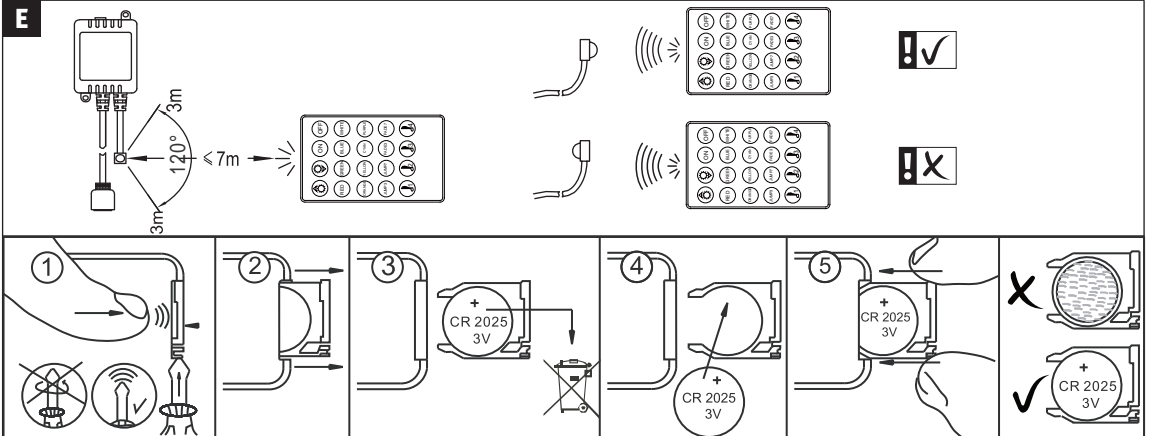
C



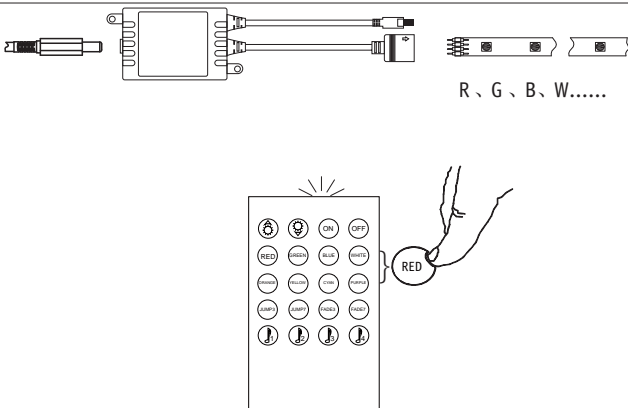
D



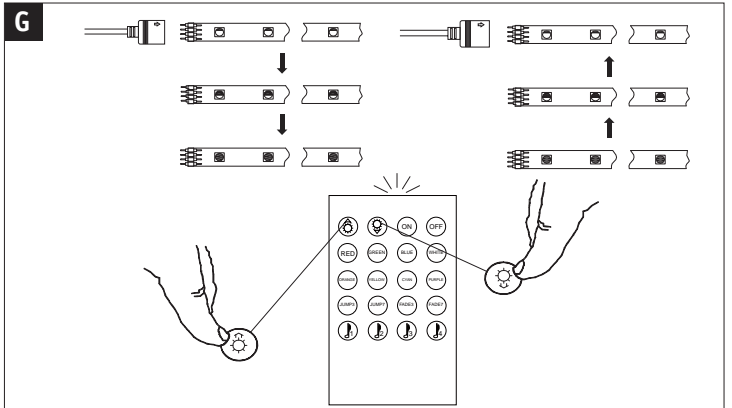
E

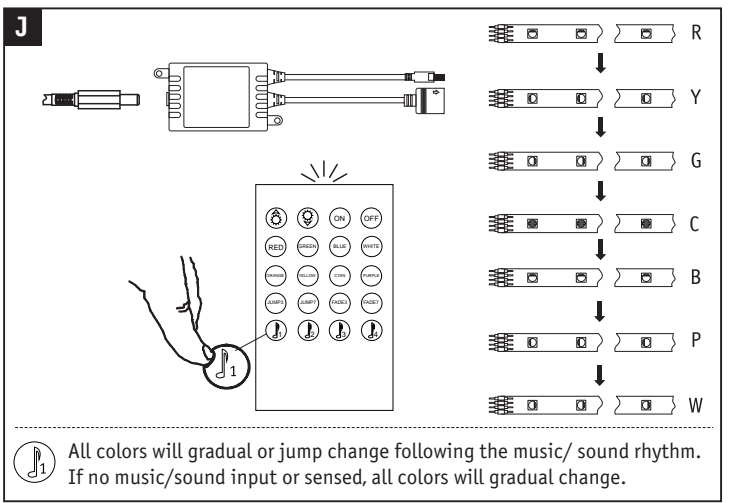
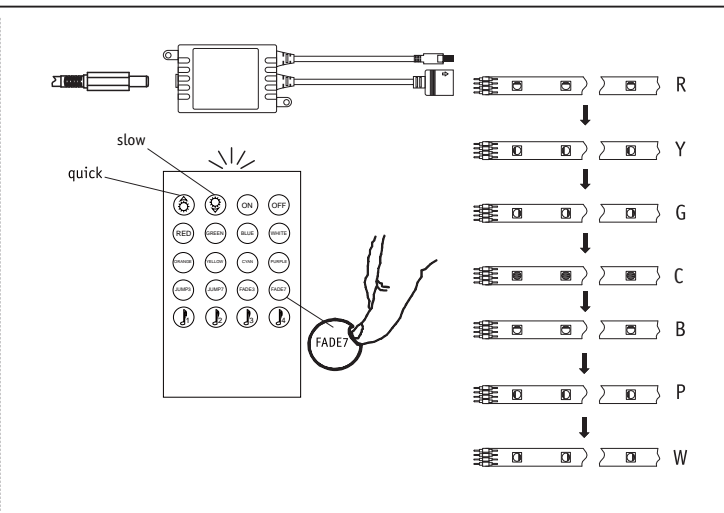
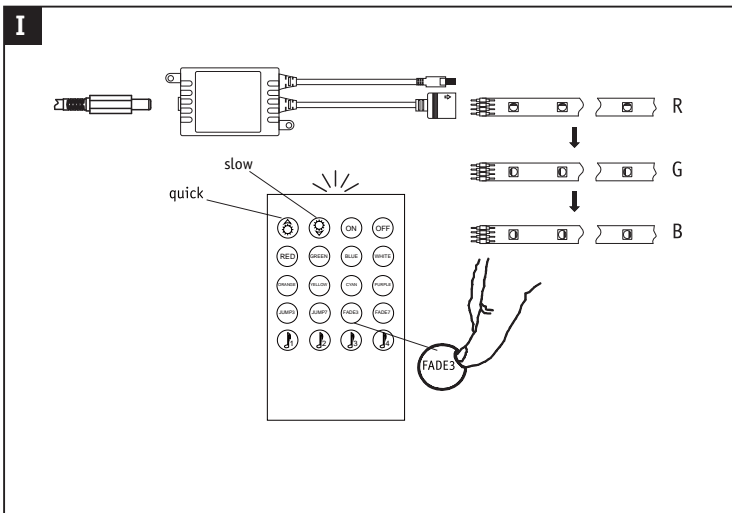
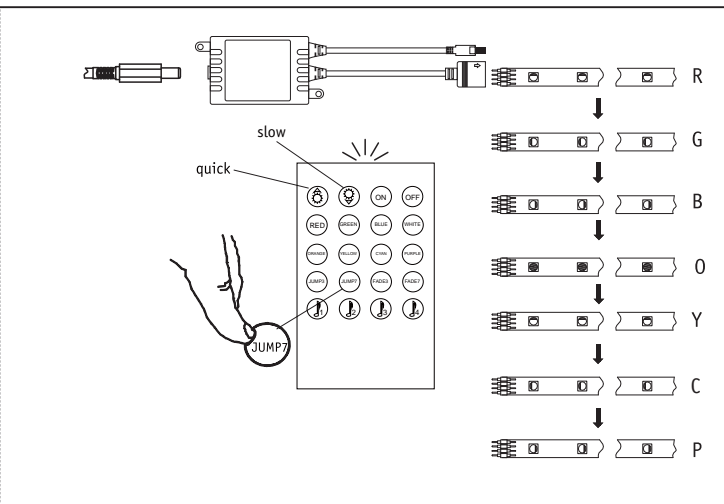
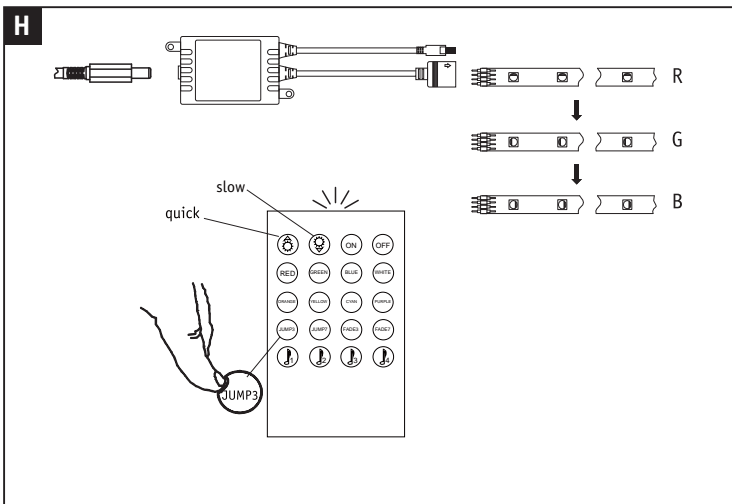


F

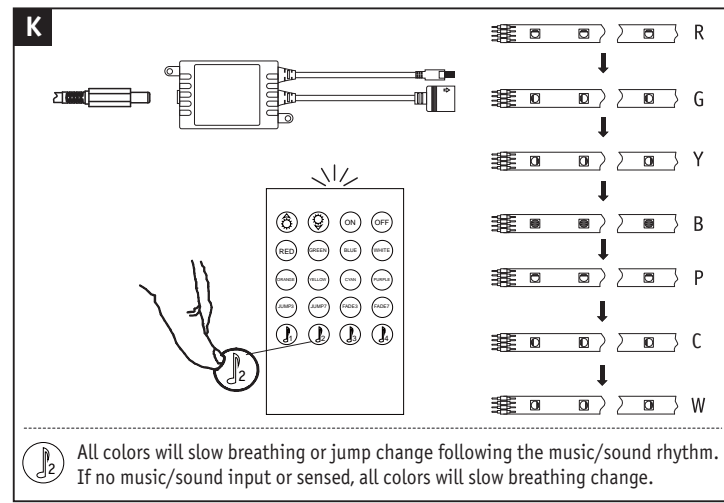


G

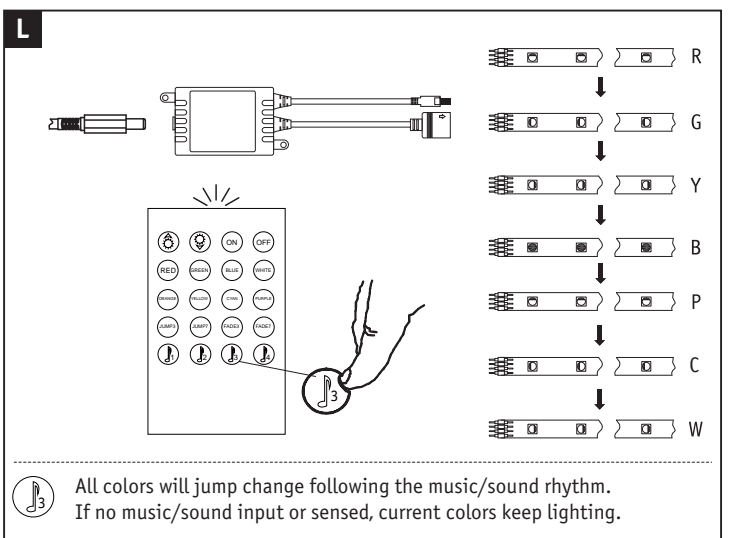




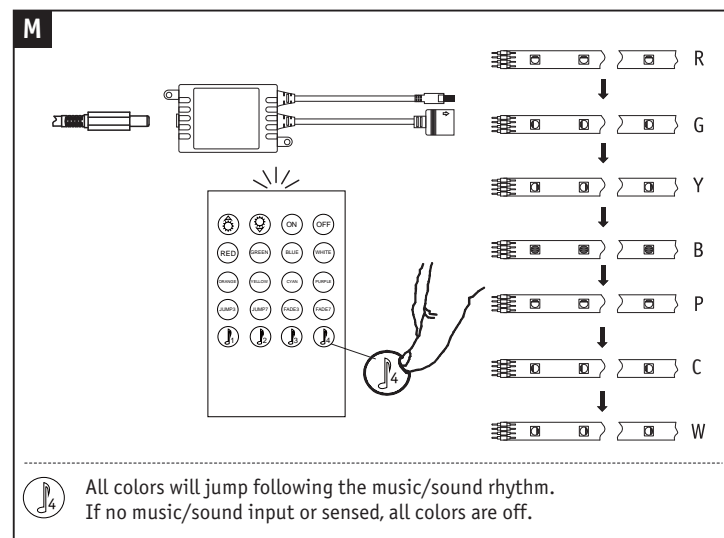
J1 All colors will gradual or jump change following the music/ sound rhythm. If no music/sound input or sensed, all colors will gradual change.



J2 All colors will slow breathing or jump change following the music/sound rhythm. If no music/sound input or sensed, all colors will slow breathing change.



J3 All colors will jump change following the music/sound rhythm. If no music/sound input or sensed, current colors keep lighting.



J4 All colors will jump following the music/sound rhythm. If no music/sound input or sensed, all colors are off.