



Paulmann

Safety Instructions

1,2,3,4,5,6,7,10,12,13,16,19,
20,22,24,28,33,34



Info

www.paulmann.com

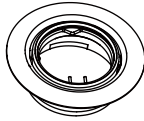
Paulmann Licht GmbH
Quezinger Feld 2
31832 Springe
Germany

www.paulmann.com

Art.-Nr.: 934.13
934.14



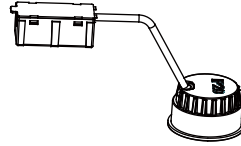
incl.



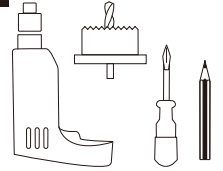
1x



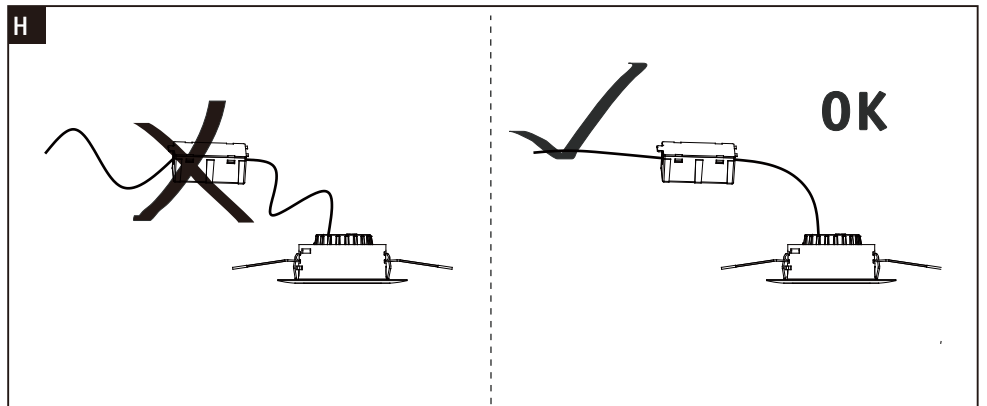
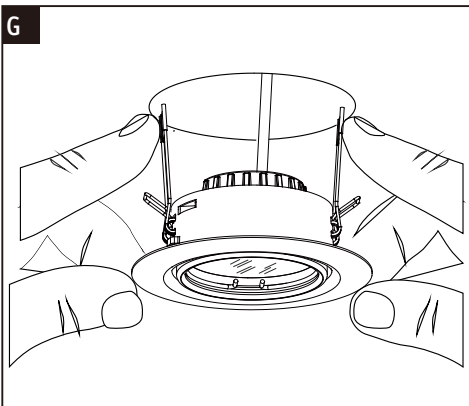
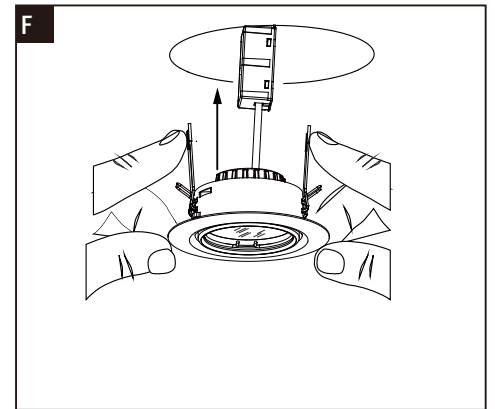
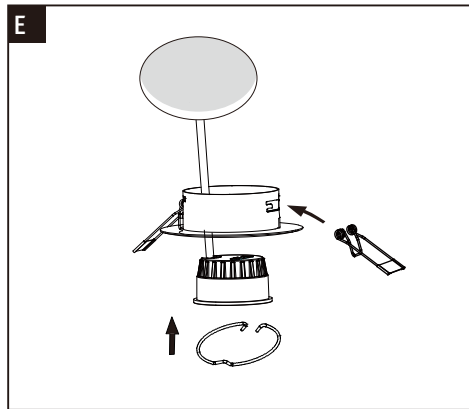
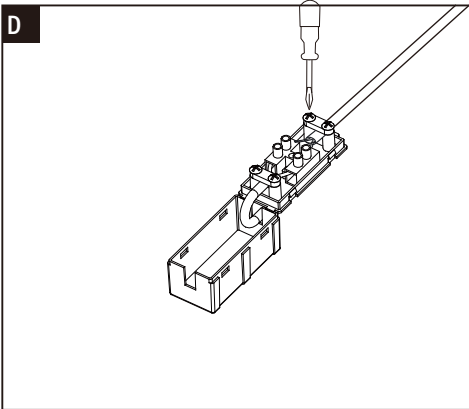
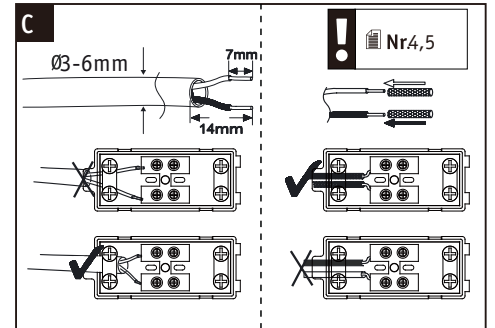
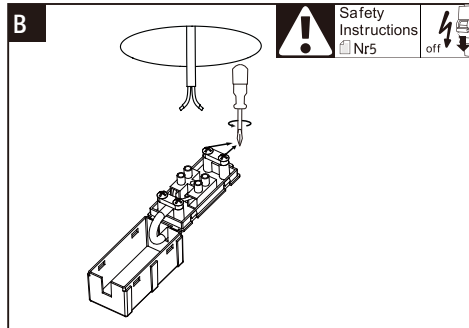
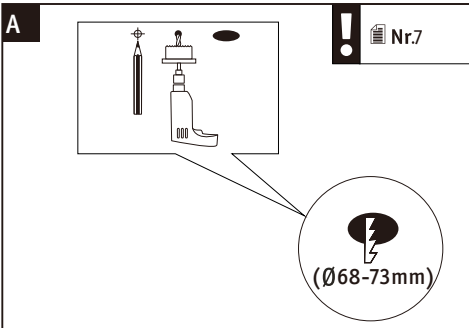
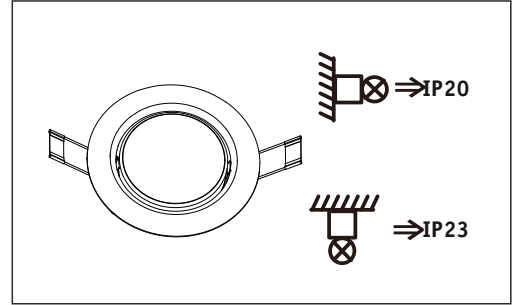
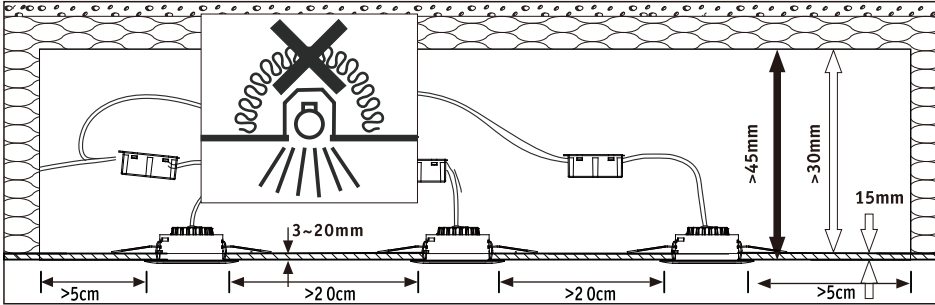
2x




1x



(+MA326) PSPU 07/18




ENERG Y IJA
 IE IA
 енергия · ενέργεια

A++
 A+ **A+**
 A
 B
 C
 D
 E

5 kWh/1000h



350 lm
5W
230 V

warm white
3000 K

CRI/Ra ≥ 80


 ≈ **15x**
1.000h

ON OFF  ≥50.000

Lumen 60% <2 s



390003968