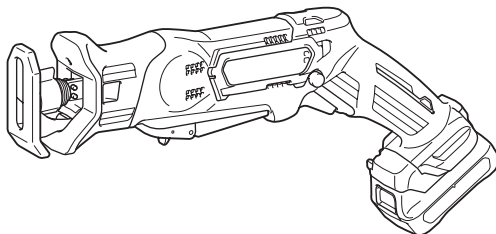




EN	Cordless Recipro Saw	INSTRUCTION MANUAL	4
FR	Scie Recipro sans Fil	MANUEL D'INSTRUCTIONS	9
DE	Akku Reciprosäge	BETRIEBSANLEITUNG	14
IT	Seghetto diritto a batteria	ISTRUZIONI PER L'USO	19
NL	Accureciprozaag	GEBRUIKSAANWIJZING	24
ES	Sierra Recíproca Inalámbrica	MANUAL DE INSTRUCCIONES	29
PT	Serra Sabre a Bateria	MANUAL DE INSTRUÇÕES	34
DA	Akku bajonetsav	BRUGSANVISNING	39
EL	Παλινδρομικό πριόνι μπαταρίας	ΕΓΧΕΙΡΙΔΙΟ ΟΔΗΓΙΩΝ	44
TR	Akülü Kılıç Testere	KULLANMA KILAVUZU	49

JR103D
JR105D



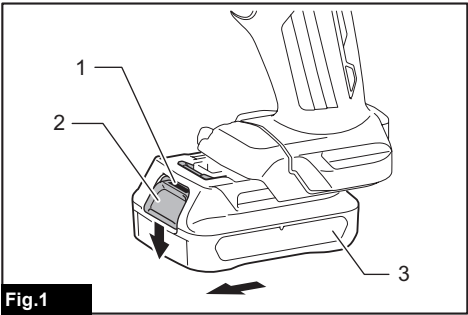


Fig.1

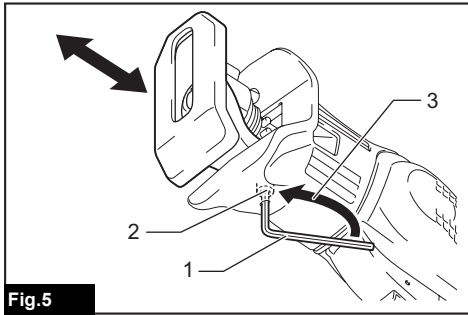


Fig.5

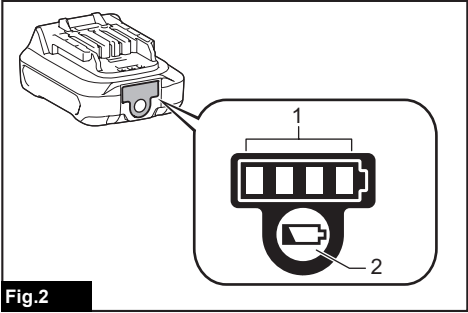


Fig.2

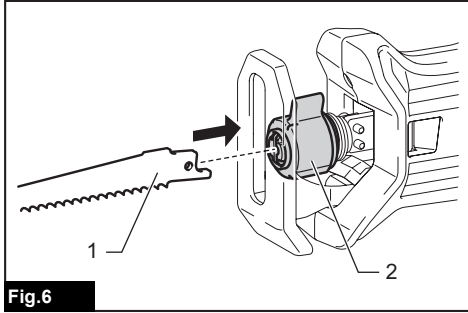


Fig.6

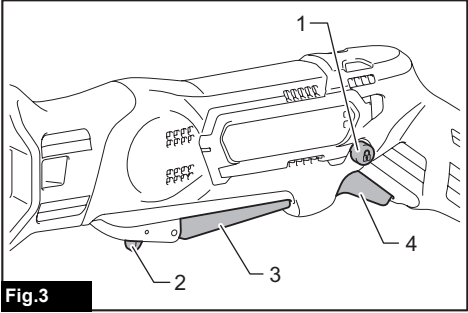


Fig.3

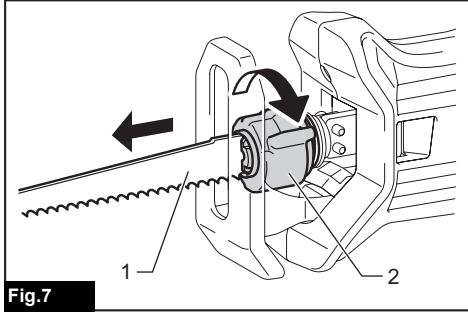


Fig.7

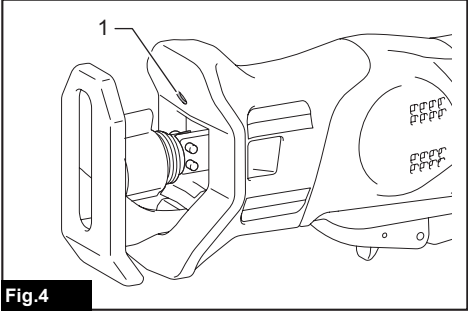


Fig.4

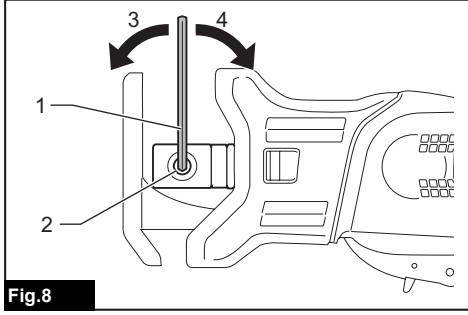


Fig.8

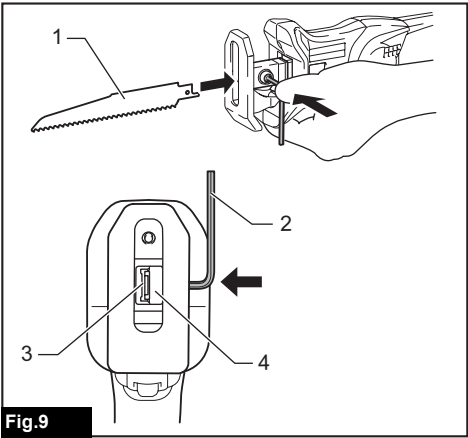


Fig.9

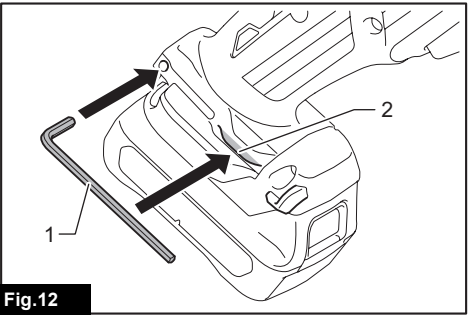


Fig.12

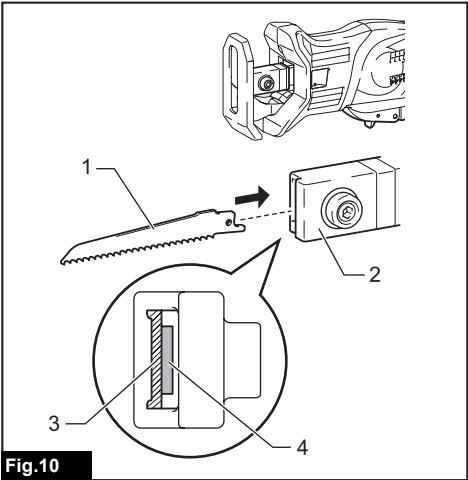


Fig.10

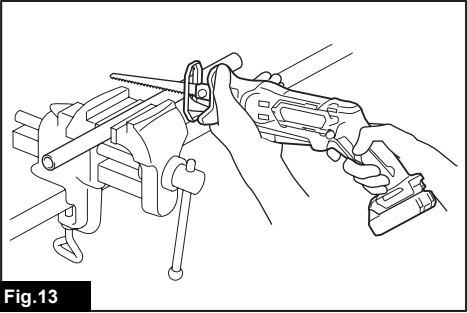


Fig.13

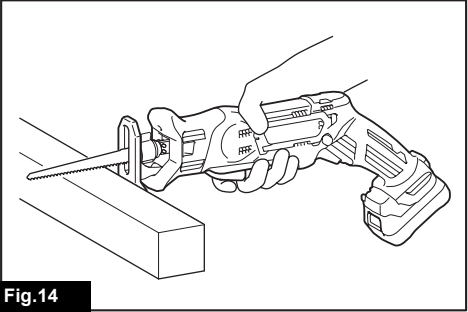


Fig.14

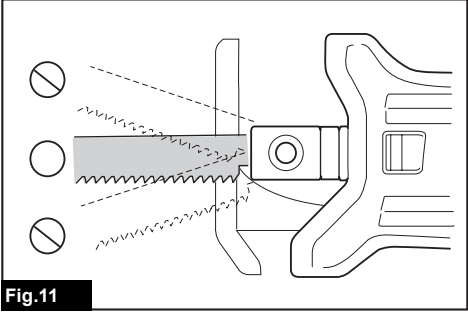


Fig.11

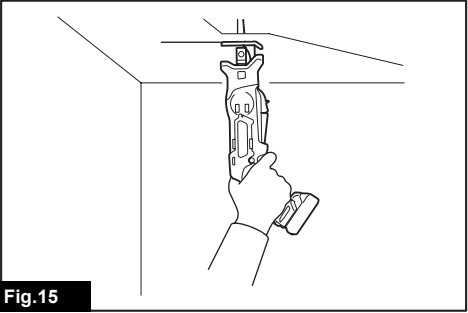


Fig.15

SPECIFICATIONS

Model:		JR103D		JR105D	
Length of stroke		13 mm			
Strokes per minute		0 - 3,300 min ⁻¹			
Max. cutting capacities	Pipe	50 mm			
	Wood	50 mm			
Rated voltage		D.C. 10.8 V			
Battery cartridge		BL1015, BL1020B	BL1040B	BL1015, BL1020B	BL1040B
Overall length		376 mm	386 mm	376 mm	386 mm
Net weight		1.3 kg	1.5 kg	1.3 kg	1.5 kg

- Due to our continuing program of research and development, the specifications herein are subject to change without notice.
- Specifications and battery cartridge may differ from country to country.
- Weight, with battery cartridge, according to EPTA-Procedure 01/2003

Intended use

The tool is intended for sawing wood, plastic and ferrous materials.

Noise

The typical A-weighted noise level determined according to EN60745:

Model JR103D

Sound pressure level (L_{pA}) : 78 dB(A)

Uncertainty (K) : 3 dB(A)

The noise level under working may exceed 80 dB (A).

Model JR105D

Sound pressure level (L_{pA}) : 78 dB(A)

Uncertainty (K) : 3 dB(A)

The noise level under working may exceed 80 dB (A).

⚠ WARNING: Wear ear protection.

Vibration

The vibration total value (tri-axial vector sum) determined according to EN60745:

Model JR103D

Work mode: cutting boards

Vibration emission ($a_{n,B}$) : 8.0 m/s²

Uncertainty (K) : 1.5 m/s²

Work mode: cutting wooden beams

Vibration emission ($a_{n,WB}$) : 8.0 m/s²

Uncertainty (K) : 1.5 m/s²

Model JR105D

Work mode: cutting boards

Vibration emission ($a_{n,B}$) : 8.0 m/s²

Uncertainty (K) : 1.5 m/s²

Work mode: cutting wooden beams

Vibration emission ($a_{n,WB}$) : 8.0 m/s²

Uncertainty (K) : 1.5 m/s²

NOTE: The declared vibration emission value has been measured in accordance with the standard test method and may be used for comparing one tool with another.

NOTE: The declared vibration emission value may also be used in a preliminary assessment of exposure.

⚠ WARNING: The vibration emission during actual use of the power tool can differ from the declared emission value depending on the ways in which the tool is used.

⚠ WARNING: Be sure to identify safety measures to protect the operator that are based on an estimation of exposure in the actual conditions of use (taking account of all parts of the operating cycle such as the times when the tool is switched off and when it is running idle in addition to the trigger time).

EC Declaration of Conformity

For European countries only

Makita declares that the following Machine(s):

Designation of Machine: Cordless Recipro Saw

Model No./ Type: JR103D, JR105D

Conforms to the following European Directives:

2006/42/EC

They are manufactured in accordance with the following standard or standardized documents: EN60745

The technical file in accordance with 2006/42/EC is available from:

Makita, Jan-Baptist Vinkstraat 2, 3070, Belgium
24.2.2015



Yasushi Fukaya

Director

Makita, Jan-Baptist Vinkstraat 2, 3070, Belgium

General power tool safety warnings

⚠ WARNING: Read all safety warnings and all instructions. Failure to follow the warnings and instructions may result in electric shock, fire and/or serious injury.

Save all warnings and instructions for future reference.

The term "power tool" in the warnings refers to your mains-operated (corded) power tool or battery-operated (cordless) power tool.

Cordless reciprocating saw safety warnings

1. **Hold power tool by insulated gripping surfaces, when performing an operation where the cutting accessory may contact hidden wiring.** Cutting accessory contacting a "live" wire may make exposed metal parts of the power tool "live" and could give the operator an electric shock.
2. **Use clamps or another practical way to secure and support the workpiece to a stable platform.** Holding the work by hand or against your body leaves it unstable and may lead to loss of control.
3. **Always use safety glasses or goggles.** Ordinary eye or sun glasses are NOT safety glasses.
4. **Avoid cutting nails.** Inspect workpiece for any nails and remove them before operation.
5. **Do not cut oversized workpiece.**
6. **Check for the proper clearance beyond the workpiece before cutting so that the blade will not strike the floor, workbench, etc.**
7. **Hold the tool firmly.**
8. **Make sure the blade is not contacting the workpiece before the switch is turned on.**
9. **Keep hands away from moving parts.**
10. **Do not leave the tool running. Operate the tool only when hand-held.**
11. **Always switch off and wait for the blade to come to a complete stop before removing the blade from the workpiece.**
12. **Do not touch the blade or the workpiece immediately after operation; they may be extremely hot and could burn your skin.**
13. **Do not operate the tool at no-load unnecessarily.**
14. **Always use the correct dust mask/respirator for the material and application you are working with.**
15. **Some material contains chemicals which may be toxic. Take caution to prevent dust inhalation and skin contact. Follow material supplier safety data.**

SAVE THESE INSTRUCTIONS.

⚠ WARNING: DO NOT let comfort or familiarity with product (gained from repeated use) replace strict adherence to safety rules for the subject product. MISUSE or failure to follow the safety rules stated in this instruction manual may cause serious personal injury.

Important safety instructions for battery cartridge

1. **Before using battery cartridge, read all instructions and cautionary markings on (1) battery charger, (2) battery, and (3) product using battery.**
2. **Do not disassemble battery cartridge.**
3. **If operating time has become excessively shorter, stop operating immediately.** It may result in a risk of overheating, possible burns and even an explosion.
4. **If electrolyte gets into your eyes, rinse them out with clear water and seek medical attention right away.** It may result in loss of your eyesight.
5. **Do not short the battery cartridge:**
 - (1) **Do not touch the terminals with any conductive material.**
 - (2) **Avoid storing battery cartridge in a container with other metal objects such as nails, coins, etc.**
 - (3) **Do not expose battery cartridge to water or rain.**

A battery short can cause a large current flow, overheating, possible burns and even a breakdown.
6. **Do not store the tool and battery cartridge in locations where the temperature may reach or exceed 50 °C (122 °F).**
7. **Do not incinerate the battery cartridge even if it is severely damaged or is completely worn out.** The battery cartridge can explode in a fire.
8. **Be careful not to drop or strike battery.**
9. **Do not use a damaged battery.**
10. **Follow your local regulations relating to disposal of battery.**

SAVE THESE INSTRUCTIONS. Tips for maintaining maximum battery life

1. **Charge the battery cartridge before completely discharged.** Always stop tool operation and charge the battery cartridge when you notice less tool power.
2. **Never recharge a fully charged battery cartridge.** Overcharging shortens the battery service life.
3. **Charge the battery cartridge with room temperature at 10 °C - 40 °C (50 °F - 104 °F).** Let a hot battery cartridge cool down before charging it.

FUNCTIONAL DESCRIPTION

CAUTION: Always be sure that the tool is switched off and the battery cartridge is removed before adjusting or checking function on the tool.

Installing or removing battery cartridge

CAUTION: Always switch off the tool before installing or removing of the battery cartridge.

CAUTION: Hold the tool and the battery cartridge firmly when installing or removing battery cartridge. Failure to hold the tool and the battery cartridge firmly may cause them to slip off your hands and result in damage to the tool and battery cartridge and a personal injury.

► **Fig.1:** 1. Red indicator 2. Button 3. Battery cartridge

To remove the battery cartridge, slide it from the tool while sliding the button on the front of the cartridge. To install the battery cartridge, align the tongue on the battery cartridge with the groove in the housing and slip it into place. Insert it all the way until it locks in place with a little click. If you can see the red indicator on the upper side of the button, it is not locked completely.

CAUTION: Always install the battery cartridge fully until the red indicator cannot be seen. If not, it may accidentally fall out of the tool, causing injury to you or someone around you.

CAUTION: Do not install the battery cartridge forcibly. If the cartridge does not slide in easily, it is not being inserted correctly.

Battery protection system

The tool is equipped with a battery protection system. This system automatically cuts off power to the motor to extend battery life.

The tool will automatically stop during operation if the tool and/or battery are placed under one of the following conditions:

Overloaded:

The tool is operated in a manner that causes it to draw an abnormally high current.

In this situation, release the switch trigger on the tool and stop the application that caused the tool to become overloaded. Then pull the switch trigger again to restart. If the tool does not start, the battery is overheated.

In this situation, let the battery cool before pulling the switch trigger again.

Low battery voltage:

The remaining battery capacity is too low and the tool will not operate. If you pull the switch trigger, the motor runs again but stops soon. In this situation, remove and recharge the battery.

Indicating the remaining battery capacity

Only for battery cartridges with "B" at the end of the model number

► **Fig.2:** 1. Indicator lamps 2. Check button

Press the check button on the battery cartridge to indicate the remaining battery capacity. The indicator lamps light up for few seconds.

Indicator lamps		Remaining capacity
Lighted	Off	
■ ■ ■ ■		75% to 100%
■ ■ ■ □		50% to 75%
■ ■ □ □		25% to 50%
■ □ □ □		0% to 25%

NOTE: Depending on the conditions of use and the ambient temperature, the indication may differ slightly from the actual capacity.

Switch action

CAUTION: Before installing the battery cartridge into the tool, always check to see that the switch lever/trigger actuates properly and returns to the "OFF" position when released.

► **Fig.3:** 1. Lock-off button 2. Lock-off lever 3. Switch lever 4. Switch trigger

To prevent the switch lever/trigger from accidentally pulled, the lock-off lever/button are provided.

To start the tool, pull either switch lever or trigger.

- For the switch lever, pull the lock-off lever and then pull the switch lever to start the tool.
- For the switch trigger, depress the lock-off button and then pull the switch trigger to start to the tool. The lock-off button can be pressed from either right or left.

The tool speed is increased by increasing pressure on the switch lever/trigger. Release the switch lever/trigger to stop.

NOTICE: Do not pull the switch lever/trigger hard without pulling the lock-off lever/button. This can cause switch breakage.

Lighting up the front lamp

CAUTION: Do not look in the light or see the source of light directly.

► **Fig.4:** 1. Lamp

Pull the switch lever/trigger to light up the lamp. The lamp keeps on lighting while the switch lever/trigger is being pulled.

The lamp goes out approximately 10 seconds after releasing the switch lever/trigger.

NOTE: Use a dry cloth to wipe the dirt off the lens of the lamp. Be careful not to scratch the lens of lamp, or it may lower the illumination.

Adjusting the shoe

► **Fig.5:** 1. Hex wrench 2. Hex bolt 3. Loosen

When the blade loses its cutting efficiency in one place along its cutting edge, reposition the shoe to utilize a sharp, unused portion of its cutting edge. This will help to lengthen the life of the blade.

To reposition the shoe, loosen the bolt with hex wrench. Slide the shoe to the desired position and then tighten the bolt firmly.

ASSEMBLY

CAUTION: Always be sure that the tool is switched off and the battery cartridge is removed before carrying out any work on the tool.

Installing or removing the recipro/jig saw blade

CAUTION: Always clean out all chips or foreign matter adhering to the blade, blade clamp and/or slider. Failure to do so may cause insufficient tightening of the blade, resulting in a serious injury.

For Model JR103D

► **Fig.6:** 1. Recipro saw blade 2. Blade clamp sleeve

Insert the recipro saw blade into the blade clamp as far as it will go. The blade clamp sleeve rotates and fixes the recipro saw blade. Make sure that the recipro saw blade cannot be extracted even though you try to pull it out.

CAUTION: If you do not insert the recipro saw blade deep enough, the recipro saw blade may be ejected unexpectedly during operation. This can be extremely dangerous.

NOTE: You can not use the jig saw blade with JR103D.

► **Fig.7:** 1. Recipro saw blade 2. Blade clamp sleeve

To remove the recipro saw blade, rotate the blade clamp sleeve in the direction of the arrow fully. The recipro saw blade is removed and the blade clamp sleeve is fixed at the released position.

NOTE: If you remove the recipro saw blade without rotating the blade clamp sleeve fully, the sleeve may not be fixed. In this case, rotate the blade clamp sleeve fully, then make the sleeve fixed at the released position.

For Model JR105D

► **Fig.8:** 1. Hex wrench 2. Bolt 3. Loosen
4. Tighten

► **Fig.9:** 1. Recipro saw blade 2. Hex wrench
3. Hole for recipro saw blade 4. Blade clamp

To install the recipro/jig saw blade, loosen the bolt by hex wrench. When installing a recipro saw blade, press the bolt with the hex wrench to open the slot during inserting the blade.

► **Fig.10:** 1. Recipro/jig saw blade 2. Blade clamp
3. Hole for recipro saw blade 4. Hole for jig saw blade

► **Fig.11**

You can use both jig saw blades (B type) and recipro saw blades according to your work. Insert the recipro/jig saw blade straight into the blade clamp and tighten it by hex wrench. Pull the recipro/jig saw blade lightly to make sure that the recipro/jig saw blade does not fall off during operation.

To remove the recipro/jig saw blade, follow the installation procedure in reverse.

Hex wrench storage

► **Fig.12:** 1. Hex wrench 2. Protrusion

When not in use, store the hex wrench as shown in the figure to keep it from being lost.

OPERATION

CAUTION: Always press the shoe firmly against the workpiece during operation. If the shoe is held away from the workpiece during operation, strong vibration and/or twisting will be produced, causing the blade to snap dangerously.

CAUTION: Always wear gloves to protect your hands from hot flying chips when cutting metal.

CAUTION: Be sure to always wear suitable eye protection which conforms with current national standards.

CAUTION: Always use a suitable coolant (cutting oil) when cutting metal. Failure to do so will cause premature blade wear.

► **Fig.13**

Press the shoe firmly against the workpiece. Do not allow the tool to bounce. Bring the recipro saw blade into light contact with the workpiece. First, make a pilot groove using a slower speed. Then use a faster speed to continue cutting.

► **Fig.14**

► **Fig.15**

You can use the switch lever or trigger according to your work.

NOTE: If the tool is operated continuously until the battery cartridge has discharged, allow the tool to rest for 15 minutes before proceeding with a fresh battery.

MAINTENANCE

⚠CAUTION: Always be sure that the tool is switched off and the battery cartridge is removed before attempting to perform inspection or maintenance.

NOTICE: Never use gasoline, benzine, thinner, alcohol or the like. Discoloration, deformation or cracks may result.

To maintain product SAFETY and RELIABILITY, repairs, any other maintenance or adjustment should be performed by Makita Authorized or Factory Service Centers, always using Makita replacement parts.

OPTIONAL ACCESSORIES

⚠CAUTION: These accessories or attachments are recommended for use with your Makita tool specified in this manual. The use of any other accessories or attachments might present a risk of injury to persons. Only use accessory or attachment for its stated purpose.

If you need any assistance for more details regarding these accessories, ask your local Makita Service Center.

- Recipro saw blades
- Jig saw blades (only for Model JR105D)
- Makita genuine battery and charger

NOTE: Some items in the list may be included in the tool package as standard accessories. They may differ from country to country.

SPÉCIFICATIONS

Modèle :		JR103D		JR105D	
Longueur de la course		13 mm			
Cycles par minute		0 - 3 300 min ⁻¹			
Capacités de coupe maximales	Tuyauterie	50 mm			
	Bois	50 mm			
Tension nominale		10,8 V c.c.			
Batterie		BL1015, BL1020B	BL1040B	BL1015, BL1020B	BL1040B
Longueur totale		376 mm	386 mm	376 mm	386 mm
Poids net		1,3 kg	1,5 kg	1,3 kg	1,5 kg

- Étant donné l'évolution constante de notre programme de recherche et de développement, les spécifications contenues dans ce manuel sont sujettes à modification sans préavis.
- Les spécifications et la batterie peuvent être différentes suivant les pays.
- Poids, avec la batterie, conformément à la procédure EPTA-01/2003

Utilisations

L'outil est conçu pour scier le bois, le plastique, et les métaux ferreux.

Bruit

Niveau de bruit pondéré A typique, déterminé selon EN60745 :

Modèle JR103D

Niveau de pression sonore (L_{pA}) : 78 dB (A)

Incertitude (K) : 3 dB (A)

Le niveau de bruit en fonctionnement peut dépasser 80 dB (A).

Modèle JR105D

Niveau de pression sonore (L_{pA}) : 78 dB (A)

Incertitude (K) : 3 dB (A)

Le niveau de bruit en fonctionnement peut dépasser 80 dB (A).

⚠ AVERTISSEMENT : Portez un serre-tête antibruit.

Vibrations

Valeur totale de vibrations (somme de vecteur triaxial) déterminée selon EN60745 :

Modèle JR103D

Mode de travail : coupe de planches

Émission de vibrations ($a_{h,B}$) : 8,0 m/s²

Incertitude (K) : 1,5 m/s²

Mode de travail : coupe de poutre/pièce de bois

Émission de vibrations ($a_{h,WB}$) 8,0 m/s²

Incertitude (K) : 1,5 m/s²

Modèle JR105D

Mode de travail : coupe de planches

Émission de vibrations ($a_{h,B}$) : 8,0 m/s²

Incertitude (K) : 1,5 m/s²

Mode de travail : coupe de poutre/pièce de bois

Émission de vibrations ($a_{h,WB}$) 8,0 m/s²

Incertitude (K) : 1,5 m/s²

NOTE : La valeur d'émission de vibrations déclarée a été mesurée conformément à la méthode de test standard et peut être utilisée pour comparer les outils entre eux.

NOTE : La valeur d'émission de vibrations déclarée peut aussi être utilisée pour l'évaluation préliminaire de l'exposition.

⚠ AVERTISSEMENT : L'émission de vibrations lors de l'usage réel de l'outil électrique peut être différente de la valeur d'émission déclarée, suivant la façon dont l'outil est utilisé.

⚠ AVERTISSEMENT : Les mesures de sécurité à prendre pour protéger l'utilisateur doivent être basées sur une estimation de l'exposition dans des conditions réelles d'utilisation (en tenant compte de toutes les composantes du cycle d'utilisation, comme par exemple le moment de sa mise hors tension, lorsqu'il tourne à vide et le moment de son déclenchement).

Déclaration de conformité CE

Pour les pays européens uniquement

Makita déclare que la ou les machines suivantes :
 Désignation de la machine : Scie Recipro sans Fil
 N° de modèle/Type : JR103D, JR105D
 sont conformes aux Directives européennes suivantes :
 2006/42/CE
 et sont fabriquées conformément aux normes ou aux documents normalisés suivants : EN60745
 La documentation technique conforme à la norme 2006/42/CE est disponible auprès de :
 Makita, Jan-Baptist Vinkstraat 2, 3070, Belgique
 24.2.2015

Yasushi Fukaya

Yasushi Fukaya

Directeur

Makita, Jan-Baptist Vinkstraat 2, 3070, Belgique

Consignes de sécurité générales pour outils électriques

⚠ AVERTISSEMENT : Lisez toutes les consignes de sécurité et toutes les instructions. Il y a risque d'électrocution, d'incendie et/ou de graves blessures si les mises en garde et les instructions ne sont pas respectées.

Conservez toutes les mises en garde et instructions pour référence ultérieure.

Le terme « outil électrique » dans les avertissements fait référence à l'outil électrique alimenté par le secteur (avec cordon d'alimentation) ou à l'outil électrique fonctionnant sur batterie (sans cordon d'alimentation).

Consignes de sécurité relatives à la scie recipro sans fil

1. Saisissez l'outil électrique par ses surfaces de prise isolées lorsque vous effectuez des travaux au cours desquels l'accessoire tranchant peut entrer en contact avec des fils cachés. Le contact de l'accessoire tranchant avec un fil sous tension peut mettre sous tension les parties métalliques exposées de l'outil électrique, causant ainsi un choc électrique chez l'utilisateur.
2. Utilisez des dispositifs de serrage ou un autre moyen pratique pour fixer la pièce sur une surface de travail stable. La pièce sera instable et vous risquez d'en perdre la maîtrise si vous la tenez dans vos mains ou l'appuyez contre votre corps.
3. Portez toujours des lunettes de sécurité. Les lunettes ordinaires et les lunettes de soleil NE sont PAS des lunettes de sécurité.
4. Évitez de couper les clous. Avant de commencer le travail, inspectez la pièce et retirez tous les clous.
5. Ne coupez pas des pièces trop grandes.
6. Avant d'effectuer la coupe, assurez-vous que le dégagement sous la pièce est suffisant pour que la lame ne heurte pas une surface dure (sol, établi, etc.).
7. Tenez l'outil fermement.
8. Assurez-vous que la lame n'est pas en contact avec la pièce avant de mettre l'outil en marche.
9. Gardez vos mains à l'écart des pièces en mouvement.
10. Ne vous éloignez pas en laissant l'outil tourner. Ne le faites fonctionner que lorsque vous l'avez bien en main.
11. Avant de retirer la lame de la pièce, mettez toujours l'outil hors tension et attendez que la lame soit complètement immobilisée.
12. Ne touchez ni la lame ni la pièce immédiatement après la coupe ; elles peuvent être très chaudes et vous risquez de vous brûler.
13. Ne faites pas tourner l'outil à vide inutilement.
14. Portez toujours un masque antipoussières/un respirateur adapté au matériau travaillé et à

l'application utilisée.

15. Certains matériaux contiennent des produits chimiques qui peuvent être toxiques. Prenez garde de ne pas avaler la poussière et évitez tout contact avec la peau. Suivez les données de sécurité du fournisseur du matériau.

CONSERVEZ CES INSTRUCTIONS.

⚠ AVERTISSEMENT : NE vous laissez PAS tromper (au fil d'une utilisation répétée) par un sentiment d'aisance et de familiarité avec le produit, en négligeant le respect rigoureux des consignes de sécurité qui accompagnent le produit en question. La MAUVAISE UTILISATION de l'outil ou l'ignorance des consignes de sécurité indiquées dans ce mode d'emploi peut entraîner de graves blessures.

Consignes de sécurité importantes pour la batterie

1. Avant d'utiliser la batterie, lisez toutes les instructions et précautions relatives (1) au chargeur de batterie, (2) à la batterie, et (3) au produit utilisant la batterie.
2. Ne démontez pas la batterie.
3. Cessez immédiatement l'utilisation si le temps de fonctionnement devient excessivement court. Il y a risque de surchauffe, de brûlures, voire d'explosion.
4. Si l'électrolyte pénètre dans vos yeux, rincez-les à l'eau claire et consultez immédiatement un médecin. Il y a risque de perte de la vue.
5. Ne court-circuitez pas la batterie :
 - (1) Ne touchez les bornes avec aucun matériau conducteur.
 - (2) Évitez de ranger la batterie dans un conteneur avec d'autres objets métalliques, par exemple des clous, des pièces de monnaie, etc.
 - (3) N'exposez pas la batterie à l'eau ou à la pluie.Un court-circuit de la batterie peut provoquer une intensité de courant élevée, une surchauffe, parfois des brûlures et même une panne.
6. Ne rangez pas l'outil et la batterie dans un endroit où la température risque d'atteindre ou de dépasser 50 °C.
7. Ne jetez pas la batterie au feu même si elle est sérieusement endommagée ou complètement épuisée. La batterie peut exploser au contact du feu.
8. Évitez de laisser tomber ou de cogner la batterie.
9. N'utilisez pas la batterie si elle est endommagée.
10. Suivez les réglementations locales en matière de mise au rebut des batteries.

CONSERVEZ CES INSTRUCTIONS.

Conseils pour assurer la durée de vie optimale de la batterie

1. Chargez la batterie avant qu'elle ne soit complètement déchargée. Arrêtez toujours l'outil et rechargez la batterie quand vous remarquez que la puissance de l'outil diminue.
2. Ne rechargez jamais une batterie complètement chargée. La surcharge réduit la durée de service de la batterie.
3. Chargez la batterie à une température ambiante comprise entre 10 °C et 40 °C. Avant de charger une batterie chaude, laissez-la refroidir.

DESCRIPTION DU FONCTIONNEMENT

ATTENTION : Assurez-vous toujours que l'outil est hors tension et que sa batterie est retirée avant de l'ajuster ou de vérifier son fonctionnement.

Insertion ou retrait de la batterie

ATTENTION : Éteignez toujours l'outil avant de mettre en place ou de retirer la batterie.

ATTENTION : Tenez fermement l'outil et la batterie lors de la mise en place ou du retrait de la batterie. Si vous ne tenez pas fermement l'outil et la batterie, ils peuvent vous glisser des mains, et s'abîmer ou vous blesser.

► Fig.1: 1. Voyant rouge 2. Bouton 3. Batterie

Pour retirer la batterie, faites-la glisser hors de l'outil tout en faisant glisser le bouton à l'avant de la batterie. Pour mettre en place la batterie, alignez la languette sur la batterie avec la rainure sur le compartiment et insérez-la. Insérez-la à fond jusqu'à ce qu'un léger déclic se fasse entendre. Si le voyant rouge sur le dessus du bouton est visible, cela signifie qu'elle n'est pas bien verrouillée.

ATTENTION : Insérez toujours complètement la batterie jusqu'à ce que le voyant rouge ne soit plus visible. Sinon, elle pourrait tomber accidentellement de l'outil, au risque de vous blesser ou de blesser quelqu'un se trouvant près de vous.

ATTENTION : N'insérez pas la batterie de force. Si elle ne glisse pas facilement, c'est que vous ne l'insérez pas correctement.

Système de protection de la batterie

L'outil est équipé d'un système de protection de la batterie. Ce système coupe automatiquement le courant de l'outil pour prolonger la durée de service de la batterie.

L'outil s'arrêtera automatiquement en cours d'utilisation si l'outil et/ou la batterie se trouve dans l'une ou l'autre des situations suivantes :

Surcharge :

L'outil est utilisé de manière telle qu'il consomme un courant anormalement élevé.

Dans ce cas, relâchez la gâchette de l'outil et arrêtez la tâche ayant provoqué la surcharge de l'outil. Ensuite, enclenchez de nouveau la gâchette pour redémarrer. Si l'outil ne démarre pas, c'est que la batterie a surchauffé. Le cas échéant, laissez la batterie refroidir avant d'enclencher de nouveau la gâchette.

Faible tension de la batterie :

La charge restante de la batterie est trop faible et l'outil ne fonctionne pas. Si vous enclenchez la gâchette, le moteur redémarre, mais s'arrête rapidement. Le cas échéant, retirez et rechargez la batterie.

Indication de la charge restante de la batterie

Uniquement pour les batteries dont le numéro de modèle se termine par « B »

► Fig.2: 1. Témoins 2. Bouton de vérification

Appuyez sur le bouton de vérification sur la batterie pour indiquer la charge restante de la batterie. Les témoins s'allument pendant quelques secondes.

Témoins		Charge restante
Allumé	Éteint	
		75 % à 100 %
		50 % à 75 %
		25 % à 50 %
		0 % à 25 %

NOTE : Selon les conditions d'utilisation et la température ambiante, l'indication peut être légèrement différente de la capacité réelle.

Fonctionnement de la gâchette

ATTENTION : Avant d'installer la batterie dans l'outil, vérifiez toujours que la gâchette/la gâchette allongée fonctionnent correctement et reviennent en position d'arrêt (OFF) une fois libérées.

► Fig.3: 1. Bouton de sécurité 2. Levier de sécurité 3. Gâchette allongée 4. Gâchette

Le bouton/le levier de sécurité permettent d'éviter d'appuyer accidentellement sur la gâchette/la gâchette allongée.

Pour mettre l'outil en marche, il suffit d'appuyer sur la gâchette ou la gâchette allongée.

- Pour démarrer l'outil avec la gâchette allongée, appuyez sur le levier de sécurité puis sur la gâchette allongée.
- Pour démarrer l'outil avec la gâchette, appuyez sur le bouton de sécurité puis sur la gâchette.

Vous pouvez appuyer sur le bouton de sécurité depuis le côté gauche ou droit de l'outil.
La vitesse de l'outil augmente quand vous augmentez la pression sur la gâchette/gâchette allongée. Pour arrêter l'outil, libérez la gâchette/gâchette allongée.

REMARQUE : Ne forcez pas sur la gâchette/gâchette allongée si vous n'avez pas actionné le bouton/levier de sécurité. Vous risquez de casser l'interrupteur.

Allumage de la lampe avant

ATTENTION : Évitez de regarder directement le faisceau lumineux ou sa source.

► **Fig.4 :** 1. Lampe

Appuyez sur la gâchette/gâchette allongée pour allumer la lampe. La lampe reste allumée tant que vous appuyez sur la gâchette/gâchette allongée. La lampe s'éteint environ 10 secondes après libération de la gâchette/gâchette allongée.

NOTE : Retirez la saleté sur la lentille de la lampe avec un chiffon sec. Prenez soin de ne pas érafler la lentille de la lampe sous peine de diminuer son éclairage.

Réglage du sabot

► **Fig.5 :** 1. Clé hexagonale 2. Boulon hexagonal
3. Desserrer

Lorsque la lame perd de son efficacité de coupe sur une portion de son tranchant, repositionnez le sabot de façon à utiliser une portion intacte du tranchant. Cela vous permettra d'allonger la durée de vie de votre lame. Pour modifier la position du sabot, desserrez le boulon avec la clé hexagonale. Faites glisser le sabot à la position souhaitée et resserrez fermement le boulon.

ASSEMBLAGE

ATTENTION : Assurez-vous toujours que l'outil est hors tension et que sa batterie est retirée avant d'effectuer toute tâche dessus.

Pose et dépose de la lame de scie reciproc/scie sauteuse

ATTENTION : Enlevez toujours tous les copeaux ou les corps étrangers qui adhèrent à la lame, au porte-lame et/ou à la tige de la lame. Sinon, la lame risque de ne pas être assez serrée, ce qui pourrait entraîner des blessures graves.

Pour le modèle JR103D

► **Fig.6 :** 1. Lame de scie reciproc 2. Manchon de serrage de la lame

Insérez la lame de scie reciproc à fond dans le porte-lame. Tournez le manchon de serrage de la lame pour bloquer la lame de scie reciproc. Tirez sur la lame de scie reciproc pour vous assurer qu'elle est bien bloquée.

ATTENTION : Si la lame de scie reciproc n'est pas insérée assez profondément, elle risque d'être éjectée de manière inattendue pendant que l'outil fonctionne. Cela est extrêmement dangereux.

NOTE : Vous ne pouvez pas utiliser de lame de scie sauteuse avec le modèle JR103D.

► **Fig.7 :** 1. Lame de scie reciproc 2. Manchon de serrage de la lame

Pour retirer la lame de scie reciproc, tournez le manchon de serrage de la lame à fond dans le sens indiqué par la flèche. La lame de scie reciproc peut alors être dégagée, et le manchon de serrage de la lame est bloqué en position ouverte.

NOTE : Si vous retirez la lame de scie reciproc sans tourner le manchon de serrage de la lame à fond, le manchon risque de ne pas se bloquer en position ouverte. Dans ce cas, tournez le manchon de serrage de la lame à fond, puis assurez-vous qu'il est bloqué en position ouverte.

Pour le modèle JR105D

► **Fig.8 :** 1. Clé hexagonale 2. Boulon
3. Desserrer 4. Serrer

► **Fig.9 :** 1. Lame de scie reciproc 2. Clé hexagonale
3. Orifice pour lame de scie reciproc 4. Porte-lame

Pour installer la lame de scie reciproc/scie sauteuse, desserrez le boulon avec la clé hexagonale. Lorsque vous installez la lame de scie reciproc, appuyez sur le boulon avec la clé hexagonale pour ouvrir la fente pendant l'insertion de la lame.

► **Fig.10 :** 1. Lame de scie reciproc/scie sauteuse
2. Porte-lame 3. Orifice pour lame de scie reciproc
4. Orifice pour lame de scie sauteuse

► **Fig.11**

Vous pouvez utiliser des lames de scie sauteuse (type B) ou de scie reciproc en fonction du travail à effectuer. Insérez la lame de scie reciproc/scie sauteuse à fond dans le porte-lame et bloquez-la en serrant le boulon avec la clé hexagonale. Tirez légèrement sur la lame de scie reciproc/scie sauteuse pour vérifier qu'elle ne risque pas de tomber en cours d'utilisation. Pour retirer la lame de scie reciproc/scie sauteuse, inversez les étapes de la procédure d'installation.

Rangement de la clé hexagonale

► **Fig.12 :** 1. Clé hexagonale 2. Partie saillante

Après utilisation, rangez la clé hexagonale comme indiqué sur la figure pour éviter de l'égarer.

UTILISATION

⚠ ATTENTION : Appuyez toujours fermement le sabot contre la pièce durant l'utilisation. Si le sabot s'écarte de la pièce durant l'opération, de fortes vibrations et/ou une torsion de la lame se produiront, pouvant entraîner la rupture, extrêmement dangereuse, de celle-ci.

⚠ ATTENTION : Portez toujours des gants afin de protéger vos mains des projections de copeaux brûlants quand vous sciez du métal.

⚠ ATTENTION : Assurez-vous de toujours porter un dispositif de protection des yeux adéquat, conforme aux normes nationales en vigueur.

⚠ ATTENTION : Utilisez toujours un réfrigérant adapté (huile de coupe) quand vous sciez du métal. Faute de cette précaution, vous userez prématurément votre lame.

► Fig.13

Appuyez fermement le sabot contre la pièce. Ne laissez pas l'outil rebondir. Amenez la lame de scie recipro en contact léger avec la pièce. Tracez d'abord un sillon pilote en faisant tourner à faible vitesse. Continuez votre sciage à la vitesse normale.

► Fig.14

► Fig.15

Utilisez la gâchette ou la gâchette allongée en fonction du travail à effectuer.

NOTE : Si l'outil est utilisé de manière continue jusqu'à ce que la batterie se décharge, laissez-le reposer 15 minutes avant de poursuivre le travail avec une batterie chargée.

ENTRETIEN

⚠ ATTENTION : Assurez-vous toujours que l'outil est hors tension et que la batterie est retirée avant d'y effectuer tout travail d'inspection ou d'entretien.

REMARQUE : N'utilisez jamais d'essence, benzène, diluant, alcool ou autre produit similaire. Cela risquerait de provoquer la décoloration, la déformation ou la fissuration de l'outil.

Pour assurer la SÉCURITÉ et la FIABILITÉ du produit, toute réparation, tout travail d'entretien ou de réglage doivent être effectués par un centre d'entretien Makita agréé, avec des pièces de rechange Makita.

ACCESSOIRES EN OPTION

⚠ ATTENTION : Ces accessoires ou pièces complémentaires sont recommandés pour l'utilisation avec l'outil Makita spécifié dans ce mode d'emploi. L'utilisation de tout autre accessoire ou pièce complémentaire peut comporter un risque de blessure. N'utilisez les accessoires ou pièces complémentaires qu'aux fins auxquelles ils ont été conçus.

Pour obtenir plus de détails sur ces accessoires, contactez votre centre d'entretien local Makita.

- Lames de scie recipro
- Lames de scie sauteuse (uniquement pour le modèle JR105D)
- Batterie et chargeur Makita d'origine

NOTE : Il se peut que certains éléments de la liste soient compris dans l'emballage de l'outil en tant qu'accessoires standard. Ils peuvent varier d'un pays à l'autre.

TECHNISCHE DATEN

Modell:	JR103D		JR105D	
Hublänge	13 mm			
Hubzahl pro Minute	0 - 3.300 min ⁻¹			
Max. Schnitttiefen	Rohr	50 mm		
	Holz	50 mm		
Nennspannung	10,8 V Gleichstrom			
Akku	BL1015, BL1020B	BL1040B	BL1015, BL1020B	BL1040B
Gesamtlänge	376 mm	386 mm	376 mm	386 mm
Nettogewicht	1,3 kg	1,5 kg	1,3 kg	1,5 kg

- Wir behalten uns vor, Änderungen der technischen Daten im Zuge der Entwicklung und des technischen Fortschritts ohne vorherige Ankündigung vorzunehmen.
- Die technischen Daten und der Akku können von Land zu Land unterschiedlich sein.
- Gewicht mit Akku nach EPTA-Verfahren 01/2003

Vorgesehene Verwendung

Das Werkzeug ist für das Sägen von Holz, Kunststoff und Eisenmaterial vorgesehen.

Geräusch

Typischer A-bewerteter Geräuschpegel ermittelt gemäß EN60745:

Modell JR103D

Schalldruckpegel (L_{pA}): 78 dB (A)

Messunsicherheit (K): 3 dB (A)

Der Geräuschpegel kann während des Betriebs 80 dB (A) überschreiten.

Modell JR105D

Schalldruckpegel (L_{pA}): 78 dB (A)

Messunsicherheit (K): 3 dB (A)

Der Geräuschpegel kann während des Betriebs 80 dB (A) überschreiten.

⚠️ WARNUNG: Einen Gehörschutz tragen.

Schwingungen

Schwingungsgesamtwert (Drei-Achsen-Vektorsumme) ermittelt gemäß EN60745:

Modell JR103D

Arbeitsmodus: Schneiden von Brettern

Schwingungsemission ($a_{n, B}$): 8,0 m/s²

Messunsicherheit (K): 1,5 m/s²

Arbeitsmodus: Schneiden von Holzbalken

Schwingungsemission ($a_{n, WB}$): 8,0 m/s²

Messunsicherheit (K): 1,5 m/s²

Modell JR105D

Arbeitsmodus: Schneiden von Brettern

Schwingungsemission ($a_{n, B}$): 8,0 m/s²

Messunsicherheit (K): 1,5 m/s²

Arbeitsmodus: Schneiden von Holzbalken

Schwingungsemission ($a_{n, WB}$): 8,0 m/s²

Messunsicherheit (K): 1,5 m/s²

HINWEIS: Der angegebene Schwingungsemissionswert wurde im Einklang mit der Standardprüfmethode gemessen und kann für den Vergleich zwischen Werkzeugen herangezogen werden.

HINWEIS: Der angegebene Schwingungsemissionswert kann auch für eine Vorbewertung des Gefährdungsgrads verwendet werden.

⚠️ WARNUNG: Die Schwingungsemission während der tatsächlichen Benutzung des Elektrowerkzeugs kann je nach der Benutzungsweise des Werkzeugs vom angegebenen Emissionswert abweichen.

⚠️ WARNUNG: Identifizieren Sie Sicherheitsmaßnahmen zum Schutz des Benutzers anhand einer Schätzung des Gefährdungsgrads unter den tatsächlichen Benutzungsbedingungen (unter Berücksichtigung aller Phasen des Arbeitszyklus, wie z. B. Ausschalt- und Leerlaufzeiten des Werkzeugs zusätzlich zur Betriebszeit).

EG-Konformitätserklärung

Nur für europäische Länder

Makita erklärt, dass die folgende(n) Maschine(n):

Bezeichnung der Maschine: Akku Reciprosäge

Modell-Nr./Typ: JR103D, JR105D

Entspricht den folgenden europäischen Richtlinien:

2006/42/EG

Sie werden gemäß den folgenden Standards oder standardisierten Dokumenten hergestellt: EN60745

Die technische Akte in Übereinstimmung mit 2006/42/EG ist erhältlich von:

Makita, Jan-Baptist Vinkstraat 2, 3070, Belgien

24.2.2015



Yasushi Fukaya

Direktor

Makita, Jan-Baptist Vinkstraat 2, 3070, Belgien

Allgemeine Sicherheitswarnungen für Elektrowerkzeuge

⚠️ WARNUNG: Lesen Sie alle Sicherheitswarnungen und Anweisungen durch. Eine Missachtung der unten aufgeführten Warnungen und Anweisungen kann zu einem elektrischen Schlag, Brand und/oder schweren Verletzungen führen.

Bewahren Sie alle Warnungen und Anweisungen für spätere Bezugnahme auf.

Der Ausdruck „Elektrowerkzeug“ in den Warnhinweisen bezieht sich auf Ihr mit Netzstrom (mit Kabel) oder Akku (ohne Kabel) betriebenes Elektrowerkzeug.

Sicherheitswarnungen für Akku Reciprosäge

1. Halten Sie das Elektrowerkzeug an den isolierten Griffflächen, wenn Sie Arbeiten ausführen, bei denen die Gefahr besteht, dass das Schneidwerkzeug verborgene Kabel kontaktiert. Bei Kontakt mit einem Strom führenden Kabel können die freiliegenden Metallteile des Elektrowerkzeugs ebenfalls Strom führend werden, so dass der Benutzer einen elektrischen Schlag erleiden kann.
2. Verwenden Sie Klemmen oder eine andere praktische Methode, um das Werkstück auf einer stabilen Unterlage zu sichern und abzustützen. Wenn Sie das Werkstück nur von Hand oder gegen Ihren Körper halten, befindet es sich in einer instabilen Lage, die zum Verlust der Kontrolle führen kann.
3. Tragen Sie stets eine Sicherheits- oder Schutzbrille. Eine gewöhnliche Brille oder Sonnenbrille ist KEIN Ersatz für eine Sicherheitsbrille.
4. Vermeiden Sie das Schneiden von Nägeln. Untersuchen Sie das Werkstück auf Nägel, und entfernen Sie diese vor der Bearbeitung.
5. Schneiden Sie keine übergroßen Werkstücke.
6. Vergewissern Sie sich vor dem Schneiden, dass genügend Platz hinter dem Werkstück vorhanden ist, damit das Sägeblatt nicht auf den Boden, die Werkbank usw. trifft.
7. Halten Sie das Werkzeug mit festem Griff.
8. Vergewissern Sie sich vor dem Einschalten des Werkzeugs, dass das Sägeblatt nicht das Werkstück berührt.
9. Halten Sie die Hände von beweglichen Teilen fern.
10. Lassen Sie das Werkzeug nicht unbeaufsichtigt laufen. Benutzen Sie das Werkzeug nur mit Handhaltung.
11. Schalten Sie das Werkzeug stets aus, und warten Sie, bis das Sägeblatt zum vollständigen Stillstand kommt, bevor Sie das Sägeblatt aus dem Werkstück entfernen.
12. Vermeiden Sie eine Berührung des Sägeblatts oder des Werkstücks unmittelbar nach der

Bearbeitung, weil sie dann möglicherweise noch sehr heiß sind und Hautverbrennungen verursachen können.

13. Lassen Sie das Werkzeug nicht unnötig im Leerlauf laufen.
14. Verwenden Sie stets die korrekte Staubschutz-/Atemmaske für das jeweilige Material und die Anwendung.
15. Manche Materialien können giftige Chemikalien enthalten. Treffen Sie Vorsichtsmaßnahmen, um das Einatmen von Arbeitsstaub und Hautkontakt zu verhindern. Befolgen Sie die Sicherheitsdaten des Materiallieferanten.

DIESE ANWEISUNGEN AUFBEWAHREN.

⚠️ WARNUNG: Lassen Sie sich NICHT durch Bequemlichkeit oder Vertrautheit mit dem Produkt (durch wiederholten Gebrauch erworben) von der strikten Einhaltung der Sicherheitsregeln für das vorliegende Produkt abhalten. MISSBRAUCH oder Missachtung der Sicherheitsvorschriften in dieser Anleitung können schwere Verletzungen verursachen.

Wichtige Sicherheitsanweisungen für Akku

1. Lesen Sie vor der Benutzung des Akkus alle Anweisungen und Warnhinweise, die an (1) Ladegerät, (2) Akku und (3) Akkuwerkzeug angebracht sind.
2. Unterlassen Sie ein Zerlegen des Akkus.
3. Falls die Betriebszeit beträchtlich kürzer geworden ist, stellen Sie den Betrieb sofort ein. Anderenfalls besteht die Gefahr von Überhitzung, möglichen Verbrennungen und sogar einer Explosion.
4. Falls Elektrolyt in Ihre Augen gelangt, waschen Sie sie mit sauberem Wasser aus, und begeben Sie sich unverzüglich in ärztliche Behandlung. Anderenfalls können Sie Ihre Sehkraft verlieren.
5. Der Akku darf nicht kurzgeschlossen werden:
 - (1) Die Kontakte dürfen nicht mit leitfähigem Material berührt werden.
 - (2) Lagern Sie den Akku nicht in einem Behälter zusammen mit anderen Metallgegenständen, wie z. B. Nägel, Münzen usw.
 - (3) Setzen Sie den Akku weder Wasser noch Regen aus.Ein Kurzschluss des Akkus verursacht starken Stromfluss, der Überhitzung, mögliche Verbrennungen und einen Defekt zur Folge haben kann.
6. Lagern Sie das Werkzeug und den Akku nicht an Orten, an denen die Temperatur 50 °C erreichen oder überschreiten kann.
7. Versuchen Sie niemals, den Akku zu verbrennen, selbst wenn er stark beschädigt oder vollkommen verbraucht ist. Der Akku kann im Feuer explodieren.

8. Achten Sie darauf, dass der Akku nicht fallen gelassen oder Stößen ausgesetzt wird.
9. Benutzen Sie keine beschädigten Akkus.
10. Befolgen Sie die örtlichen Bestimmungen bezüglich der Entsorgung von Akkus.

DIESE ANWEISUNGEN AUFBEWAHREN.

Hinweise zur Aufrechterhaltung der maximalen Akku-Nutzungsdauer

1. Laden Sie den Akku, bevor er vollkommen erschöpft ist. Schalten Sie das Werkzeug stets aus, und laden Sie den Akku, wenn Sie ein Nachlassen der Werkzeugleistung feststellen.
2. Unterlassen Sie erneutes Laden eines voll aufgeladenen Akkus. Überladen führt zu einer Verkürzung der Nutzungsdauer des Akkus.
3. Laden Sie den Akku bei Raumtemperatur zwischen 10 – 40 °C. Lassen Sie einen heißen Akku abkühlen, bevor Sie ihn laden.

FUNKTIONSBESCHREIBUNG

⚠VORSICHT: Vergewissern Sie sich vor der Durchführung von Einstellungen oder Funktionsprüfungen des Werkzeugs stets, dass das Werkzeug ausgeschaltet und der Akku abgenommen ist.

Anbringen und Abnehmen des Akkus

⚠VORSICHT: Schalten Sie das Werkzeug stets aus, bevor Sie den Akku anbringen oder abnehmen.

⚠VORSICHT: Halten Sie das Werkzeug und den Akku beim Anbringen oder Abnehmen des Akkus sicher fest. Wenn Sie das Werkzeug und den Akku nicht sicher festhalten, können sie Ihnen aus der Hand rutschen, was zu einer Beschädigung des Werkzeugs und des Akkus und zu Körperverletzungen führen kann.

► **Abb.1:** 1. Rote Anzeige 2. Knopf 3. Akku

Ziehen Sie den Akku zum Abnehmen vom Werkzeug ab, während Sie den Knopf an der Vorderseite des Akkus verschieben.

Richten Sie zum Anbringen des Akkus dessen Führungsfeder auf die Nut im Gehäuse aus, und schieben Sie den Akku hinein. Schieben Sie ihn vollständig ein, bis er mit einem hörbaren Klicken einrastet. Falls die rote Anzeige an der Oberseite des Knopfes sichtbar ist, ist der Akku nicht vollständig verriegelt.

⚠VORSICHT: Schieben Sie den Akku stets bis zum Anschlag ein, bis die rote Anzeige nicht mehr sichtbar ist. Anderenfalls kann er aus dem Werkzeug herausfallen und Sie oder umstehende Personen verletzen.

⚠VORSICHT: Unterlassen Sie Gewaltanwendung beim Anbringen des Akkus. Falls der Akku nicht reibungslos hineingleitet, ist er nicht richtig ausgerichtet.

Akku-Schutzsystem

Das Werkzeug ist mit einem Akku-Schutzsystem ausgestattet. Dieses System schaltet die Stromversorgung des Motors automatisch ab, um die Akku-Lebensdauer zu verlängern.

Das Werkzeug schaltet sich während des Betriebs automatisch ab, wenn Werkzeug und/oder Akku einer der folgenden Bedingungen unterliegen:

Überlastung:

Das Werkzeug wird auf eine Weise benutzt, die eine ungewöhnlich hohe Stromaufnahme bewirkt.

Lassen Sie in dieser Situation den Ein-Aus-Schalter des Werkzeugs los, und brechen Sie die Arbeit ab, die eine Überlastung des Werkzeugs verursacht hat. Betätigen Sie dann den Ein-Aus-Schalter erneut, um das Werkzeug wieder zu starten.

Falls das Werkzeug nicht startet, ist der Akku überhitzt.

Lassen Sie den Akku in dieser Situation abkühlen, bevor Sie den Ein-Aus-Schalter erneut betätigen.

Niedrige Akkuspannung:

Die Akku-Restkapazität ist zu niedrig, und das Werkzeug funktioniert nicht. Wenn Sie den Ein-Aus-Schalter betätigen, läuft der Motor wieder an, bleibt aber bald darauf stehen. Nehmen Sie in dieser Situation den Akku ab, und laden Sie ihn auf.

Anzeigen der Akku-Restkapazität

Nur für Akkus mit „B“ am Ende der Modellnummer

► **Abb.2:** 1. Anzeigelampen 2. Prüftaste

Drücken Sie die Prüftaste am Akku, um die Akku-Restkapazität anzuzeigen. Die Anzeigelampen leuchten wenige Sekunden lang auf.

Anzeigelampen		Restkapazität
Erleuchtet	Aus	
■ ■ ■ ■	□	75% bis 100%
■ ■ ■ □	□	50% bis 75%
■ ■ □ □	□	25% bis 50%
■ □ □ □	□	0% bis 25%

HINWEIS: Abhängig von den Benutzungsbedingungen und der Umgebungstemperatur kann die Anzeige geringfügig von der tatsächlichen Kapazität abweichen.

Schalterfunktion

⚠VORSICHT: Vergewissern Sie sich vor dem Einsetzen des Akkus in das Werkzeug stets, dass der Schalthebel/Ein-Aus-Schalter ordnungsgemäß funktioniert und beim Loslassen in die AUS-Stellung zurückkehrt.

- **Abb.3:** 1. Einschaltsperrknopf
2. Einschaltsperrhebel 3. Schalthebel
4. Ein-Aus-Schalter

Um versehentliche Betätigung des Schalthebels/Ein-Aus-Schalters zu verhüten, ist das Werkzeug mit einem Einschaltsperrhebel/-knopf ausgestattet.

Zum Einschalten des Werkzeugs entweder den Schalthebel oder den Ein-Aus-Schalter betätigen.

- Im Falle des Schalthebels den Einschaltsperrhebel ziehen, und dann den Schalthebel zum Starten des Werkzeugs betätigen.
- Im Falle des Ein-Aus-Schalters den Einschaltsperrknopf drücken, und dann den Ein-Aus-Schalter zum Starten des Werkzeugs betätigen. Der Einschaltsperrknopf kann entweder von rechts oder links gedrückt werden.

Die Hubzahl wird durch verstärkte Druckausübung auf den Schalthebel/Ein-Aus-Schalter erhöht. Zum Anhalten lassen Sie den Schalthebel/Ein-Aus-Schalter los.

ANMERKUNG: Betätigen Sie den Schalthebel/Ein-Aus-Schalter nicht gewaltsam, ohne den Einschaltsperrhebel/-knopf zu betätigen. Dies kann zu Beschädigung des Schalters führen.

Einschalten der Frontlampe

⚠VORSICHT: Blicken Sie nicht direkt in die Lampe oder die Lichtquelle.

- **Abb.4:** 1. Lampe

Betätigen Sie den Schalthebel/Ein-Aus-Schalter, um die Lampe einzuschalten. Die Lampe bleibt erleuchtet, solange der Schalthebel/Ein-Aus-Schalter gedrückt gehalten wird.

Die Lampe erlischt ungefähr 10 Sekunden nach dem Loslassen des Schalthebels/Ein-Aus-Schalters.

HINWEIS: Wischen Sie Schmutz auf der Lampenlinse mit einem trockenen Tuch ab. Achten Sie sorgfältig darauf, dass Sie die Lampenlinse nicht verkratzen, weil sich sonst die Lichtstärke verringert.

Einstellen des Schuhs

- **Abb.5:** 1. Inbusschlüssel 2. Sechskantschraube
3. Lösen

Wenn das Sägeblatt an einer Stelle seiner Schneide abgenutzt ist, verändern Sie die Position des Schuhs, um einen scharfen, unbenutzten Teil der Schneide zu verwenden. Dadurch wird die Lebensdauer des Sägeblatts verlängert.

Um den Schuh neu zu positionieren, lösen Sie die Schraube mit dem Inbusschlüssel. Schieben Sie den Schuh auf die gewünschte Position, und ziehen Sie dann die Schraube fest.

MONTAGE

⚠VORSICHT: Vergewissern Sie sich vor der Ausführung von Arbeiten am Werkzeug stets, dass das Werkzeug ausgeschaltet und der Akku abgenommen ist.

Montieren und Demontieren des Recipro-/Stichsägeblatts

⚠VORSICHT: Säubern Sie Sägeblatt, Sägeblattklemme und/oder Schieber stets von anhaftenden Spänen oder Fremdkörpern. Anderenfalls lässt sich das Sägeblatt möglicherweise nicht fest genug einspannen, was schwere Verletzungen zur Folge haben kann.

Für Modell JR103D

- **Abb.6:** 1. Reciprosägeblatt
2. Sägeblatt-Spannhülse

Führen Sie das Reciprosägeblatt bis zum Anschlag in die Sägeblattklemme ein. Die Sägeblatt-Spannhülse dreht sich und fixiert das Sägeblatt. Vergewissern Sie sich durch Zugversuch, dass sich das Reciprosägeblatt nicht herausziehen lässt.

⚠VORSICHT: Wird das Reciprosägeblatt nicht tief genug eingeführt, kann es während des Betriebs plötzlich herausgeschleudert werden. Dies kann äußerst gefährlich sein.

HINWEIS: Das Stichsägeblatt kann nicht mit JR103D verwendet werden.

- **Abb.7:** 1. Reciprosägeblatt
2. Sägeblatt-Spannhülse

Zum Entfernen des Reciprosägeblatts drehen Sie die Sägeblatt-Spannhülse bis zum Anschlag in Pfeilrichtung. Das Reciprosägeblatt kann nun entfernt werden, und die Sägeblatt-Spannhülse wird in der gelösten Stellung fixiert.

HINWEIS: Wenn Sie das Reciprosägeblatt entfernen, ohne die Sägeblatt-Spannhülse bis zum Anschlag zu drehen, wird die Spannhülse möglicherweise nicht fixiert. Drehen Sie die Sägeblatt-Spannhülse in diesem Fall bis zum Anschlag, und fixieren Sie sie dann in der gelösten Stellung.

Für Modell JR105D

- **Abb.8:** 1. Inbusschlüssel 2. Schraube 3. Lösen
4. Anziehen

- **Abb.9:** 1. Reciprosägeblatt 2. Inbusschlüssel
3. Loch für Reciprosägeblatt 4. Sägeblattklemme

Zum Montieren des Recipro-/Stichsägeblatts die Schraube mit dem Inbusschlüssel lösen. Wenn Sie ein Reciprosägeblatt montieren, drücken Sie die Schraube mit dem Inbusschlüssel hinein, um den Schlitz während des Einschubs des Sägeblatts zu öffnen.

- **Abb.10:** 1. Recipro-/Stichsägeblatt
2. Sägeblattklemme 3. Loch für Reciprosägeblatt
4. Loch für Stichsägeblatt

- **Abb.11**

Sie können je nach Ihrer Arbeit sowohl Stichsägeblätter (Typ B) als auch Reciprosägeblätter verwenden. Führen Sie das Recipro-/Stichsägeblatt gerade in die Sägeblattklemme ein, und ziehen Sie es mit dem Inbusschlüssel fest. Ziehen Sie leicht am Recipro-/Stichsägeblatt, um sicherzugehen, dass es während des Betriebs nicht herausfällt. Zum Demontieren des Recipro-/Stichsägeblatts ist das Montageverfahren umgekehrt anzuwenden.

Aufbewahrung des Inbusschlüssels

► **Abb.12:** 1. Inbusschlüssel 2. Vorsprung

Wenn der Inbusschlüssel nicht benutzt wird, kann er an der in der Abbildung gezeigten Stelle aufbewahrt werden, damit er nicht verloren geht.

BETRIEB

⚠VORSICHT: Drücken Sie den Schuh während des Sägebetriebs immer fest gegen das Werkstück. Wird der Schuh während des Sägebetriebs vom Werkstück entfernt, kommt es zu heftigen Vibrationen und/oder Verdrehungen, die gefährliches Springen des Sägeblatts verursachen.

⚠VORSICHT: Tragen Sie beim Sägen von Metall immer Handschuhe, um Ihre Hände vor umherfliegenden heißen Spänen zu schützen.

⚠VORSICHT: Tragen Sie stets einen geeigneten Augenschutz, der den aktuellen Landesnormen entspricht.

⚠VORSICHT: Verwenden Sie beim Sägen von Metall immer ein geeignetes Kühlmittel (Schneidöl). Anderenfalls kommt es zu vorzeitigem Verschleiß des Sägeblatts.

► **Abb.13**

Drücken Sie den Schuh fest gegen das Werkstück. Lassen Sie das Werkzeug nicht springen. Bringen Sie das Reciprosägeblatt in leichten Kontakt mit dem Werkstück. Erzeugen Sie zunächst eine Führungsrille mit niedrigerer Hubzahl. Setzen Sie dann den Sägebetrieb mit einer höheren Hubzahl fort.

► **Abb.14**

► **Abb.15**

Sie können je nach Ihrer Arbeit entweder den Schalthebel oder den Ein-Aus-Schalter benutzen.

HINWEIS: Wenn das Werkzeug im Dauerbetrieb bis zur vollkommenen Entladung des Akkus benutzt wurde, lassen Sie das Werkzeug vor dem Fortsetzen des Betriebs mit einem frischen Akku 15 Minuten lang ruhen.

WARTUNG

⚠VORSICHT: Vergewissern Sie sich vor der Durchführung von Inspektions- oder Wartungsarbeiten stets, dass das Werkzeug ausgeschaltet und der Akku abgenommen ist.

ANMERKUNG: Verwenden Sie auf keinen Fall Benzin, Waschbenzin, Verdünnern, Alkohol oder dergleichen. Solche Mittel können Verfärbung, Verformung oder Rissbildung verursachen.

Um die SICHERHEIT und ZUVERLÄSSIGKEIT dieses Produkts zu gewährleisten, sollten Reparaturen und andere Wartungs- oder Einstellarbeiten nur von Makita-Vertragswerkstätten oder Makita-Kundendienstzentren unter ausschließlicher Verwendung von Makita-Originalersatzteilen ausgeführt werden.

SONDERZUBEHÖR

⚠VORSICHT: Die folgenden Zubehörteile oder Vorrichtungen werden für den Einsatz mit dem in dieser Anleitung beschriebenen Makita-Werkzeug empfohlen. Die Verwendung anderer Zubehörteile oder Vorrichtungen kann eine Verletzungsgefahr darstellen. Verwenden Sie Zubehörteile oder Vorrichtungen nur für ihren vorgesehenen Zweck.

Wenn Sie weitere Einzelheiten bezüglich dieser Zubehörteile benötigen, wenden Sie sich bitte an Ihre Makita-Kundendienststelle.

- Reciprosägeblätter
- Stichsägeblätter (nur für Modell JR105D)
- Original-Makita-Akku und -Ladegerät

HINWEIS: Manche Teile in der Liste können als Standardzubehör im Werkzeugsatz enthalten sein. Sie können von Land zu Land unterschiedlich sein.

DATI TECNICI

Modello:		JR103D		JR105D	
Lunghezza della corsa		13 mm			
Corse al minuto		0 - 3.300 min ⁻¹			
Capacità massime di taglio	Tubi	50 mm			
	Legno	50 mm			
Tensione nominale		10,8 V CC			
Cartuccia della batteria		BL1015, BL1020B	BL1040B	BL1015, BL1020B	BL1040B
Lunghezza complessiva		376 mm	386 mm	376 mm	386 mm
Peso netto		1,3 kg	1,5 kg	1,3 kg	1,5 kg

- A causa del nostro programma continuativo di ricerca e sviluppo, i dati tecnici sono soggetti a modifiche senza preavviso.
- I dati tecnici e la cartuccia della batteria potrebbero differire da nazione a nazione.
- Peso, con cartuccia della batteria, secondo la Procedura EPTA 01/2003

Utilizzo previsto

Questo utensile è progettato per il taglio di legno, plastica e materiali ferrosi.

Rumore

Livello tipico di rumore pesato A determinato in base allo standard EN60745:

Modello JR103D

Livello di pressione sonora (L_{pA}): 78 dB (A)

Incertezza (K): 3 dB (A)

Il livello del rumore nelle condizioni di lavoro può superare gli 80 dB (A).

Modello JR105D

Livello di pressione sonora (L_{pA}): 78 dB (A)

Incertezza (K): 3 dB (A)

Il livello del rumore nelle condizioni di lavoro può superare gli 80 dB (A).

AVVERTIMENTO: Indossare protezioni per le orecchie.

Vibrazioni

Valore totale delle vibrazioni (somma vettoriale triassiale) determinato in base allo standard EN60745:

Modello JR103D

Modalità di lavoro: taglio dei pannelli

Emissione di vibrazioni ($a_{h,B}$): 8,0 m/s²

Incertezza (K): 1,5 m/s²

Modalità di lavoro: taglio delle travi in legno

Emissione di vibrazioni ($a_{h,WB}$): 8,0 m/s²

Incertezza (K): 1,5 m/s²

Modello JR105D

Modalità di lavoro: taglio dei pannelli

Emissione di vibrazioni ($a_{h,B}$): 8,0 m/s²

Incertezza (K): 1,5 m/s²

Modalità di lavoro: taglio delle travi in legno

Emissione di vibrazioni ($a_{h,WB}$): 8,0 m/s²

Incertezza (K): 1,5 m/s²

NOTA: Il valore di emissione delle vibrazioni dichiarato è stato misurato in conformità al metodo standard di verifica, e può essere utilizzato per confrontare un utensile con un altro.

NOTA: Il valore di emissione delle vibrazioni dichiarato può venire utilizzato anche per una valutazione preliminare dell'esposizione.

AVVERTIMENTO: L'emissione delle vibrazioni durante l'utilizzo effettivo dell'utensile elettrico può variare rispetto al valore di emissione dichiarato, a seconda dei modi in cui viene utilizzato l'utensile.

AVVERTIMENTO: Accertarsi di identificare le misure di sicurezza per la protezione dell'operatore basate sulla stima dell'esposizione nelle condizioni effettive di utilizzo (tenendo presente tutte le parti del ciclo operativo, ad esempio le volte in cui l'utensile viene spento e quando gira a vuoto, oltre al tempo di attivazione).

Dichiarazione CE di conformità

Modello solo per le nazioni europee

Makita dichiara che la/e macchina/e seguente/i:

Designazione della macchina: Seghetto diritto a batteria N. modello/Tipo: JR103D, JR105D

È conforme alle seguenti Direttive Europee:

2006/42/CE

È stata fabbricata in conformità allo standard e ai documenti standardizzati seguenti: EN60745

Il file tecnico in conformità alla normativa 2006/42/CE è disponibile presso:

Makita, Jan-Baptist Vinkstraat 2, 3070, Belgio
24.2.2015

Yasushi Fukaya

Yasushi Fukaya

Amministratore

Makita, Jan-Baptist Vinkstraat 2, 3070, Belgio

Avvertenze generali relative alla sicurezza dell'utensile elettrico

⚠AVVERTIMENTO: Leggere tutte le avvertenze relative alla sicurezza e tutte le istruzioni. La mancata osservanza delle avvertenze e delle istruzioni può risultare in scosse elettriche, incendi e/o gravi lesioni personali.

Conservare tutte le avvertenze e le istruzioni come riferimento futuro.

Il termine "utensile elettrico" nelle avvertenze si riferisce sia all'utensile elettrico (cablato) nel funzionamento alimentato da rete elettrica che all'utensile elettrico (a batteria) nel funzionamento alimentato a batteria.

Avvertenze per la sicurezza del seghetto diritto a batteria

1. **Tenere l'utensile elettrico per le superfici di impugnatura isolate, quando si esegue un'operazione in cui l'accessorio di taglio potrebbe entrare in contatto con fili elettrici nascosti.** Un accessorio di taglio che entri in contatto con un filo elettrico sotto tensione potrebbe mettere sotto tensione le parti metalliche esposte dell'utensile elettrico e causare una scossa elettrica all'operatore.
2. **Utilizzare una morsa o un altro sistema pratico per fissare e supportare il pezzo su un piano stabile.** Il pezzo tenuto con la mano o contro il corpo resta instabile, e potrebbe causare una perdita di controllo.
3. **Portare sempre occhiali o occhiali di protezione. I comuni occhiali da vista o da sole NON sono occhiali di protezione.**
4. **Evitare di tagliare chiodi. Ispezionare il pezzo e, in presenza di eventuali chiodi, rimuoverli prima di procedere.**
5. **Non tagliare pezzi eccessivamente grandi.**
6. **Verificare che sia presente uno spazio sufficiente dietro il pezzo prima di tagliarlo, in modo che la lama non urti contro il pavimento, il banco da lavoro, e così via.**
7. **Tenere saldamente l'utensile.**
8. **Accertarsi che la lama non sia in contatto con il pezzo, prima di attivare l'interruttore.**
9. **Tenere le mani lontane dalle parti mobili.**
10. **Non lasciare l'utensile mentre sta funzionando. Far funzionare l'utensile solo mentre lo si tiene in mano.**
11. **Spegnere sempre l'utensile e attendere che la lama si sia arrestata completamente, prima di rimuoverla dal pezzo.**
12. **Non toccare la lama o il pezzo subito dopo l'uso dell'utensile; la loro temperatura potrebbe essere estremamente elevata e potrebbero causare ustioni.**
13. **Non far funzionare inutilmente l'utensile a vuoto.**
14. **Usare sempre una mascherina/respiratore**

adatti al materiale e all'applicazione con cui si lavora.

15. **Alcuni materiali contengono sostanze chimiche che potrebbero essere tossiche. Fare attenzione a evitare l'inalazione della polvere e il contatto con la pelle. Attenersi ai dati relativi alla sicurezza del fornitore del materiale.**

CONSERVARE LE PRESENTI ISTRUZIONI.

⚠AVVERTIMENTO: NON lasciare che la comodità o la familiarità d'uso con il prodotto (acquisita con l'uso ripetuto) sostituiscano la stretta osservanza delle norme di sicurezza. L'USO IMPROPRIO o la mancata osservanza delle norme di sicurezza riportate nel presente manuale manuale di istruzioni potrebbero causare lesioni personali gravi.

Istruzioni di sicurezza importanti per la cartuccia della batteria

1. **Prima di utilizzare la cartuccia della batteria, leggere tutte le istruzioni e le avvertenze riportate (1) sul caricabatteria, (2) sulla batteria e (3) sul prodotto che utilizza la batteria.**
2. **Non smontare la cartuccia della batteria.**
3. **Qualora il tempo di utilizzo si riduca eccessivamente, interrompere immediatamente l'utilizzo dell'utensile. In caso contrario, si può incorrere nel rischio di surriscaldamento, possibili ustioni e persino un'esplosione.**
4. **Qualora l'elettrolita entri in contatto con gli occhi, sciacquarli con acqua pulita e richiedere immediatamente assistenza medica. Questa eventualità può risultare nella perdita della vista.**
5. **Non cortocircuitare la cartuccia della batteria:**
 - (1) **Non toccare i terminali con alcun materiale conduttivo.**
 - (2) **Evitare di conservare la cartuccia della batteria in un contenitore insieme ad altri oggetti metallici quali chiodi, monete, e così via.**
 - (3) **Non esporre la cartuccia della batteria all'acqua o alla pioggia.****Un cortocircuito della batteria può causare un grande flusso di corrente, un surriscaldamento, possibili ustioni e persino un guasto.**
6. **Non conservare l'utensile e la cartuccia della batteria in ubicazioni in cui la temperatura possa raggiungere o superare i 50°C.**
7. **Non incenerire la cartuccia della batteria anche qualora sia gravemente danneggiata o completamente esaurita. La cartuccia della batteria può esplodere se a contatto con il fuoco.**
8. **Fare attenzione a non far cadere e a non colpire la batteria.**
9. **Non utilizzare una batteria danneggiata.**
10. **Attenersi alle normative locali relative allo smaltimento della batteria.**

CONSERVARE LE PRESENTI ISTRUZIONI.

Suggerimenti per preservare la durata massima della batteria

1. Caricare la cartuccia della batteria prima che si scarichi completamente. Smettere sempre di utilizzare l'utensile e caricare la cartuccia della batteria quando si nota che la potenza dell'utensile è diminuita.
2. Non ricaricare mai una cartuccia della batteria completamente carica. La sovraccarica riduce la vita utile della batteria.
3. Caricare la cartuccia della batteria a una temperatura ambiente compresa tra 10°C e 40°C. Lasciar raffreddare una cartuccia della batteria prima di caricarla.

DESCRIZIONE DELLE FUNZIONI

ATTENZIONE: Accertarsi sempre che l'utensile sia spento e che la cartuccia della batteria sia stata rimossa prima di regolare o di controllare il funzionamento dell'utensile.

Installazione o rimozione della cartuccia della batteria

ATTENZIONE: Spegner sempre l'utensile prima di installare o rimuovere la cartuccia della batteria.

ATTENZIONE: Mantenere saldamente lo strumento e la batteria quando si intende installare o rimuovere la cartuccia della batteria. Qualora non si mantengano saldamente lo strumento e la cartuccia della batteria, questi ultimi potrebbero scivolare dalle mani, con la possibilità di causare un danneggiamento dello strumento e della cartuccia della batteria, nonché una lesione personale.

- **Fig.1:** 1. Indicatore rosso 2. Pulsante
3. Cartuccia della batteria

Per rimuovere la cartuccia della batteria, farla scorrere via dall'utensile mentre si fa scorrere allo stesso tempo il pulsante sulla parte anteriore della cartuccia.

Per installare la cartuccia della batteria, allineare l'appendice della batteria con la scanalatura nell'alloggiamento e farla scivolare in sede. Inserirla completamente fino al suo blocco in sede con un leggero scatto. Se è possibile vedere l'indicatore rosso sul lato superiore del pulsante, la batteria non è bloccata completamente.

ATTENZIONE: Installare sempre fino in fondo la cartuccia della batteria, fino a quando l'indicatore rosso non è più visibile. In caso contrario, la batteria potrebbe cadere accidentalmente dall'utensile, causando lesioni personali all'operatore o a chi gli è vicino.

ATTENZIONE: Non installare forzatamente la cartuccia della batteria. Qualora la batteria non si inserisca scorrendo agevolmente, vuol dire che non viene inserita correttamente.

Sistema di protezione della batteria

L'utensile è dotato di un sistema di protezione della batteria. Questo sistema interrompe automaticamente l'alimentazione al motore per prolungare la vita utile della batteria.

L'utensile si arresta automaticamente durante il funzionamento qualora l'utensile stesso e/o la batteria vengano a trovarsi in una delle condizioni seguenti:

Sovraccarico:

L'utensile viene utilizzato in modo tale da causare un assorbimento di corrente elevato in modo anomalo da parte dell'utensile stesso.

In questa situazione, rilasciare l'interruttore a grilletto sull'utensile e interrompere l'applicazione che ha fatto sovraccaricare l'utensile. Quindi, premere di nuovo l'interruttore a grilletto per riavviare l'utensile.

Qualora l'utensile non si avvii, la batteria è surriscaldata. In tal caso, lasciare che la batteria si raffreddi prima di premere di nuovo l'interruttore a grilletto.

Bassa tensione della batteria:

La carica residua della batteria è troppo bassa e non è possibile utilizzare l'utensile. Se si preme l'interruttore a grilletto, il motore gira di nuovo, ma si arresta dopo poco. In tal caso, rimuovere e ricaricare la batteria.

Indicazione della carica residua della batteria

Solo per le cartucce delle batterie con una "B" alla fine del numero del modello

► **Fig.2:** 1. Indicatori luminosi 2. Pulsante di controllo

Premere il pulsante di controllo sulla cartuccia della batteria per indicare la carica residua della batteria. Gli indicatori luminosi si illuminano per alcuni secondi.

Indicatori luminosi		Carica residua
■ Illuminato	□ Spento	
■ ■ ■ ■		Dal 75% al 100%
■ ■ ■ □		Dal 50% al 75%
■ ■ □ □		Dal 25% al 50%
■ □ □ □		Dallo 0% al 25%

NOTA: A seconda delle condizioni d'uso e della temperatura ambiente, l'indicazione potrebbe variare leggermente rispetto alla carica effettiva.

Funzionamento dell'interruttore

ATTENZIONE: Prima di installare la cartuccia della batteria nell'utensile, verificare sempre che l'interruttore a leva/a grilletto funzioni correttamente e torni sulla posizione di disattivazione quando lo si rilascia.

► **Fig.3:** 1. Pulsante di sblocco 2. Leva di sblocco
3. Interruttore a leva 4. Interruttore a grilletto

Per evitare di premere accidentalmente l'interruttore a leva/a grilletto, sono forniti una leva/un pulsante di sblocco.

Per avviare l'utensile, premere l'interruttore a leva o l'interruttore a grilletto.

- Per l'interruttore a leva, tirare la leva di sblocco e quindi premere l'interruttore a leva per avviare l'utensile.
- Per l'interruttore a grilletto, premere il pulsante di sblocco, quindi premere l'interruttore a grilletto per avviare l'utensile. È possibile premere il pulsante di sblocco da destra o da sinistra.

La velocità dell'utensile aumenta con l'aumento della pressione sull'interruttore a leva/a grilletto. Rilasciare l'interruttore a leva/a grilletto per arrestare l'utensile.

AVVISO: Non premere l'interruttore a leva/a grilletto con forza senza aver premuto la leva/il pulsante di sblocco. In caso contrario, si potrebbe causare la rottura dell'interruttore.

Accensione della lampadina anteriore

ATTENZIONE: Non osservare né guardare direttamente la fonte di luce.

► **Fig.4:** 1. Lampadina

Premere l'interruttore a leva/a grilletto per far accendere la lampadina. La lampadina resta accesa fintanto che l'interruttore a leva/a grilletto viene tenuto premuto. La lampadina si spegne circa 10 secondi dopo aver rilasciato l'interruttore a leva/a grilletto.

NOTA: Per pulire la sporcizia dalla lente della lampadina, utilizzare un panno asciutto. Fare attenzione a non graffiare la lente della lampadina, altrimenti si potrebbe ridurre l'illuminazione.

Regolazione della scarpa

► **Fig.5:** 1. Chiave esagonale 2. Bullone esagonale
3. Allentare

Qualora la lama perda la sua efficienza di taglio in un punto lungo il suo bordo di taglio, riposizionare la scarpa per utilizzare una parte affilata e inutilizzata del suo bordo di taglio. Ciò aiuta a prolungare la vita utile della lama.

Per riposizionare la scarpa, allentare il bullone con la chiave esagonale. Far scivolare la scarpa sulla posizione desiderata, quindi serrare saldamente il bullone.

MONTAGGIO

ATTENZIONE: Accertarsi sempre che l'utensile sia spento e che la cartuccia della batteria sia stata rimossa, prima di effettuare qualsiasi intervento sull'utensile.

Montaggio o smontaggio della lama per seghetto diritto/alternativo

ATTENZIONE: Rimuovere sempre tutti i trucioli e il materiale estraneo attaccati alla lama, al fermo lama e/o allo scivolo. In caso contrario, il serraggio della lama potrebbe risultare insufficiente e causare lesioni personali gravi.

Per il modello JR103D

► **Fig.6:** 1. Lama per seghetto diritto 2. Bussola del fermo lama

Inserire fino in fondo la lama per seghetto diritto nel fermo lama. La bussola del fermo lama gira e fissa la lama per seghetto diritto. Accertarsi che la lama per seghetto diritto non possa venire estratta, anche se si cerca di tirarla fuori.

ATTENZIONE: Qualora non si inserisca la lama per seghetto diritto abbastanza a fondo, la lama potrebbe venire espulsa improvvisamente durante l'uso. Ciò potrebbe essere estremamente pericoloso.

NOTA: Non potrebbe essere possibile utilizzare la lama per seghetto alternativo con il modello JR103D.

► **Fig.7:** 1. Lama per seghetto diritto 2. Bussola del fermo lama

Per rimuovere la lama per seghetto diritto, ruotare completamente la bussola del fermo lama nella direzione della freccia. La lama per seghetto diritto viene rimossa e la bussola del fermo lama si blocca sulla posizione in cui viene rilasciata.

NOTA: Qualora si rimuova la lama per seghetto diritto senza ruotare completamente la bussola del fermo lama, la bussola potrebbe non bloccarsi. In tal caso, ruotare completamente la bussola del fermo lama, quindi bloccare la bussola sulla posizione in cui viene rilasciata.

Per il modello JR105D

► **Fig.8:** 1. Chiave esagonale 2. Bullone
3. Allentare 4. Serrare

► **Fig.9:** 1. Lama per seghetto diritto 2. Chiave esagonale 3. Foro per lama per seghetto diritto
4. Fermo lama

Per installare la lama per seghetto diritto/alternativo, allentare il bullone mediante la chiave esagonale. Quando si intende installare una lama per seghetto diritto, premere il bullone con la chiave esagonale per aprire la fessura durante l'inserimento della lama.

► **Fig.10:** 1. Lama per seghetto diritto/alternativo
2. Fermo lama 3. Foro per lama per seghetto diritto
4. Foro per lama per seghetto alternativo

► **Fig.11**

È possibile utilizzare sia lame per seghetto alternativo (tipo B) che lame per seghetto diritto, a seconda del lavoro da effettuare. Inserire la lama per seghetto diritto/alternativo senza inclinarla nel fermo lama, quindi serrare quest'ultimo mediante la chiave esagonale. Tirare leggermente la lama per seghetto diritto/alternativo, per accertarsi che quest'ultima non cada fuori dall'utensile durante l'uso.

Per rimuovere la lama per seghetto diritto/alternativo, eseguire la procedura di installazione al contrario.

Conservazione della chiave esagonale

► **Fig.12:** 1. Chiave esagonale 2. Sporgenza

Quando non si utilizza la chiave esagonale, conservarla come indicato nella figura per evitare di perderla.

FUNZIONAMENTO

ATTENZIONE: Durante l'uso dell'utensile, premere sempre saldamente la scarpa contro il pezzo. Qualora durante l'uso dell'utensile si tenga la scarpa lontana dal pezzo, si produrrebbero forti vibrazioni e/o torsioni che farebbero spezzare pericolosamente la lama.

ATTENZIONE: Quando si intende tagliare metalli, indossare sempre dei guanti per proteggere le mani da schegge volanti incandescenti.

ATTENZIONE: Indossare sempre una protezione adatta per gli occhi conforme agli standard nazionali correnti.

ATTENZIONE: Quando si intende tagliare metalli, utilizzare sempre un refrigerante adatto (olio da taglio). La mancata osservazione di questa avvertenza causa l'usura prematura della lama.

► **Fig.13**

Premere saldamente la scarpa contro il pezzo. Non consentire all'utensile di causare dei contraccolpi. Mettere leggermente in contatto la lama per seghetto diritto con il pezzo. Inizialmente, creare una leggera scanalatura di guida, utilizzando una velocità più bassa. Quindi, utilizzare una velocità più alta per proseguire il taglio.

► **Fig.14**

► **Fig.15**

È possibile utilizzare l'interruttore a leva o l'interruttore a grilletto a seconda del lavoro da effettuare.

NOTA: Qualora l'utensile venga utilizzato continuamente fino allo scaricamento della cartuccia della batteria, lascia riposare l'utensile per 15 minuti, prima di procedere con una nuova batteria.

MANUTENZIONE

ATTENZIONE: Accertarsi sempre che l'utensile sia spento e che la cartuccia della batteria sia stata rimossa prima di tentare di eseguire interventi di ispezione o manutenzione.

AVVISO: Non utilizzare mai benzina, benzene, solventi, alcol o altre sostanze simili. In caso contrario, si potrebbero causare scolorimenti, deformazioni o crepe.

Per preservare la SICUREZZA e l'AFFIDABILITÀ del prodotto, le riparazioni e qualsiasi altro intervento di manutenzione e di regolazione devono essere eseguiti da un centro di assistenza autorizzato Makita, utilizzando sempre ricambi Makita.

ACCESSORI OPZIONALI

ATTENZIONE: Questi accessori o componenti aggiuntivi sono consigliati per l'uso con l'utensile Makita specificato nel presente manuale. L'impiego di altri accessori o componenti aggiuntivi può costituire un rischio di lesioni alle persone. Utilizzare gli accessori o i componenti aggiuntivi solo per il loro scopo prefissato.

Per ottenere ulteriori dettagli relativamente a questi accessori, rivolgersi a un centro di assistenza Makita.

- Lame per seghetto diritto
- Lame per seghetto alternativo (solo per il modello JR105D)
- Batteria e caricabatterie originali Makita

NOTA: Alcuni articoli nell'elenco potrebbero essere inclusi nell'imballaggio dell'utensile come accessori standard. Tali articoli potrebbero variare da nazione a nazione.

TECHNISCHE GEGEVENS

Model:		JR103D		JR105D	
Slaglengte		13 mm			
Slagen per minuut		0 - 3.300 min ⁻¹			
Max. zaagcapaciteiten	Pijp	50 mm			
	Hout	50 mm			
Nominale spanning		10,8 V gelijkspanning			
Accu		BL1015, BL1020B	BL1040B	BL1015, BL1020B	BL1040B
Totale lengte		376 mm	386 mm	376 mm	386 mm
Nettogewicht		1,3 kg	1,5 kg	1,3 kg	1,5 kg

- In verband met ononderbroken research en ontwikkeling, behouden wij ons het recht voor de bovenstaande technische gegevens zonder voorafgaande kennisgeving te wijzigen.
- De technische gegevens van de accu kunnen van land tot land verschillen.
- Gewicht, inclusief accu, volgens de EPTA-procedure 01/2003

Gebruiksdoelinden

Dit gereedschap is bedoeld voor het zagen van hout, kunststof en ferromaterialen.

Geluidsniveau

De typische, A-gewogen geluidsniveaus zijn gemeten volgens EN60745:

Model JR103D

Geluidsdrukniveau (L_{pA}): 78 dB (A)

Onzekerheid (K): 3 dB (A)

Het geluidsniveau kan tijdens gebruik hoger worden dan 80 dB (A).

Model JR105D

Geluidsdrukniveau (L_{pA}): 78 dB (A)

Onzekerheid (K): 3 dB (A)

Het geluidsniveau kan tijdens gebruik hoger worden dan 80 dB (A).

WAARSCHUWING: Draag gehoorbescherming.

Trilling

De totale trillingswaarde (triaxiale vectorsom) zoals vastgesteld volgens EN60745:

Model JR103D

Gebruikstoepassing: zagen van platen

Trillingsemissie ($a_{h,B}$): 8,0 m/s²

Onzekerheid (K): 1,5 m/s²

Gebruikstoepassing: zagen van houten balken

Trillingsemissie ($a_{h,WB}$): 8,0 m/s²

Onzekerheid (K): 1,5 m/s²

Model JR105D

Gebruikstoepassing: zagen van platen

Trillingsemissie ($a_{h,B}$): 8,0 m/s²

Onzekerheid (K): 1,5 m/s²

Gebruikstoepassing: zagen van houten balken

Trillingsemissie ($a_{h,WB}$): 8,0 m/s²

Onzekerheid (K): 1,5 m/s²

OPMERKING: De opgegeven trillingsemissiewaarde is gemeten volgens de standaardtestmethode en kan worden gebruikt om dit gereedschap te vergelijken met andere gereedschappen.

OPMERKING: De opgegeven trillingsemissiewaarde kan ook worden gebruikt voor een beoordeling vooraf van de blootstelling.

WAARSCHUWING: De trillingsemissie tijdens het gebruik van het elektrisch gereedschap in de praktijk kan verschillen van de opgegeven trillingsemissiewaarde afhankelijk van de manier waarop het gereedschap wordt gebruikt.

WAARSCHUWING: Zorg ervoor dat veiligheidsmaatregelen worden getroffen ter bescherming van de operator die zijn gebaseerd op een schatting van de blootstelling onder praktijkomstandigheden (rekening houdend met alle fasen van de bedrijfscyclus, zoals de tijdsduur gedurende welke het gereedschap is uitgeschakeld en stationair draait, naast de ingeschakelde tijdsduur).

EU-verklaring van conformiteit

Aleen voor Europese landen

Makita verklaart hierbij dat de volgende machine(s):

Aanduiding van de machine: Accureciprozaag

Modelnr./Type: JR103D, JR105D

Voldoet aan de volgende Europese richtlijnen: 2006/42/EU

Ze zijn gefabriceerd in overeenstemming met de volgende norm of genormaliseerde documenten: EN60745
Het technisch documentatiebestand volgens 2006/42/EU is verkrijgbaar bij:

Makita, Jan-Baptist Vinkstraat 2, 3070, België
24.2.2015



Yasushi Fukaya

Directeur

Makita, Jan-Baptist Vinkstraat 2, 3070, België

Algemene veiligheidsaarschuwingen voor elektrisch gereedschap

⚠️ WAARSCHUWING: Lees alle veiligheidsaarschuwingen en alle instructies. Het niet volgen van de waarschuwingen en instructies kan leiden tot elektrische schokken, brand en/of ernstig letsel.

Bewaar alle waarschuwingen en instructies om in de toekomst te kunnen raadplegen.

De term "elektrisch gereedschap" in de veiligheidsvoorschriften duidt op gereedschappen die op stroom van het lichtnet werken (met snoer) of gereedschappen met een accu (snoerloos).

Veiligheidsaarschuwingen voor een accureciprozaag

1. Houd elektrisch gereedschap vast bij het geïsoleerde oppervlak van de handgrepen wanneer u werkt op plaatsen waar het accessoire in aanraking kan komen met verborgen bedrading. Wanneer het accessoire in aanraking komt met onder spanning staande draden, zullen de niet-geïsoleerde metalen delen van het gereedschap onder spanning komen te staan zodat de gebruiker een elektrische schok kan krijgen.
2. Gebruik klemmen of andere bevestigingsmiddelen om het werkstuk op een stabiel platform te bevestigen en te ondersteunen. Het werkstuk is onstabiel en er is gevaar voor controleverlies wanneer u het werkstuk met de hand vasthoudt of het tegen uw lichaam houdt.
3. Draag altijd een veiligheidsbril of een beschermbril. Een gewone bril of een zonnebril is GEEN veiligheidsbril.
4. Vermijd het zagen op spijkers. Inspecteer het werkstuk op eventuele spijkers en verwijder ze voordat u begint.
5. Zaag geen werkstukken die te groot zijn.
6. Controleer vooraf of er voldoende ruimte voorbij het werkstuk is, zodat het zaagblad niet tegen de vloer, een werkbank e.d. zal stoten.
7. Houd het gereedschap stevig vast.
8. Zorg dat het zaagblad het werkstuk niet raakt voordat u de trekschakelaar indrukt.
9. Houd uw handen uit de buurt van bewegende delen.
10. Laat het gereedschap niet draaiend achter. Schakel het gereedschap alleen in wanneer u het stevig vasthoudt.
11. Schakel het gereedschap uit en wacht totdat het zaagblad volledig tot stilstand is gekomen alvorens het zaagblad van het werkstuk te verwijderen.
12. Raak het zaagblad of het werkstuk niet aan onmiddellijk na het werk; deze kunnen gloeiend heet zijn en brandwonden veroorzaken.
13. Laat het gereedschap niet onbelast draaien wanneer zulks niet nodig is.

14. Draag altijd het stofmasker/gasmasker dat geschikt is voor het materiaal en de toepassing waarmee u werkt.
15. Bepaalde materialen kunnen giftige chemicaliën bevatten. Vermijd contact met uw huid en zorg dat u geen stof inademt. Volg de veiligheidsvoorschriften van de fabrikant van het materiaal.

BEWAAR DEZE VOORSCHRIFTEN.

⚠️ WAARSCHUWING: Laat u NIET misleiden door een vals gevoel van comfort en bekendheid met het gereedschap (na veelvuldig gebruik) en neem alle veiligheidsvoorschriften van het betreffende gereedschap altijd strikt in acht. **VERKEERD GEBRUIK** of het niet naleven van de veiligheidsvoorschriften in deze gebruiksaanwijzing kan leiden tot ernstig letsel.

Belangrijke veiligheidsinstructies voor een accu

1. Lees alle voorschriften en waarschuwingen op (1) de acculader, (2) de accu, en (3) het product waarvoor de accu wordt gebruikt, alvorens de accu in gebruik te nemen.
2. Neem de accu niet uit elkaar.
3. Als de gebruikstijd van een opgeladen accu aanzienlijk korter is geworden, moet u het gebruik ervan onmiddellijk stopzetten. Voortgezet gebruik kan oververhitting, brandwonden en zelfs een ontploffing veroorzaken.
4. Als elektrolyt in uw ogen is terechtgekomen, spoelt u uw ogen met schoon water en roept u onmiddellijk de hulp van een dokter in. Elektrolyt in de ogen kan blindheid veroorzaken.
5. Voorkom kortsluiting van de accu:
 - (1) Raak de accuklemmen nooit aan met een geleidend materiaal.
 - (2) Bewaar de accu niet in een bak waarin andere metalen voorwerpen zoals spijkers, munten e.d. worden bewaard.
 - (3) Stel de accu niet bloot aan water of regen. Kortsluiting van de accu kan oorzaak zijn van een grote stroomafgifte, oververhitting, brandwonden, en zelfs defecten.
6. Bewaar het gereedschap en de accu niet op plaatsen waar de temperatuur kan oplopen tot 50°C of hoger.
7. Werp de accu nooit in het vuur, ook niet wanneer hij zwaar beschadigd of volledig versleten is. De accu kan ontploffen in het vuur.
8. Wees voorzichtig dat u de accu niet laat vallen en hem niet blootstelt aan schokken of stoten.
9. Gebruik nooit een beschadigde accu.
10. Volg bij het weggooien van de accu de plaatselijke voorschriften.

BEWAAR DEZE INSTRUCTIES.

Tips voor een maximale levensduur van de accu

1. Laad de accu op voordat hij volledig ontladen is. Stop het gebruik van het gereedschap en laad de accu op telkens wanneer u vaststelt dat het vermogen van het gereedschap is afgenomen.
2. Laad een volledig opgeladen accu nooit opnieuw op. Te lang opladen verkort de levensduur van de accu.
3. Laad de accu op bij een omgevingstemperatuur tussen 10°C en 40°C. Laat een warme accu afkoelen alvorens hem op te laden.

BESCHRIJVING VAN DE FUNCTIES

⚠ALLET OP: Zorg altijd dat het gereedschap is uitgeschakeld en de accu ervan is verwijderd alvorens de functies op het gereedschap af te stellen of te controleren.

De accu aanbrengen en verwijderen

⚠ALLET OP: Schakel het gereedschap altijd uit voordat u de accu aanbrengt of verwijderd.

⚠ALLET OP: Houd het gereedschap en de accu stevig vast tijdens het aanbrengen of verwijderen van de accu. Als u het gereedschap en de accu niet stevig vasthoudt, kunnen deze uit uw handen glijpen en het gereedschap of de accu beschadigen, of kan persoonlijk letsel worden veroorzaakt.

► Fig.1: 1. Rood deel 2. Knop 3. Accu

Om de accu te verwijderen verschuift u de knop aan de voorkant van de accu en schuift u tegelijkertijd de accu uit het gereedschap.

Om de accu aan te brengen lijnt u de lip op de accu uit met de groef in de behuizing en duwt u de accu op zijn plaats. Steek de accu zo ver mogelijk in het gereedschap tot u een klikgeluid hoort. Als u het rode deel aan de bovenkant van de knop kunt zien, is de accu niet goed aangebracht.

⚠ALLET OP: Breng de accu altijd helemaal aan totdat het rode deel niet meer zichtbaar is. Als u dit niet doet, kan de accu per ongeluk uit het gereedschap vallen en u of anderen in uw omgeving verwonden.

⚠ALLET OP: Breng de accu niet met kracht aan. Als de accu niet gemakkelijk in het gereedschap kan worden geschoven, wordt deze niet goed aangebracht.

Accubeveiligingssysteem

Het gereedschap is uitgerust met een accubeveiligingssysteem. Dit systeem sluit automatisch de voeding naar de motor af om de levensduur van de accu te verlengen.

Het gereedschap kan tijdens gebruik automatisch

stoppen wanneer het gereedschap en/of de accu aan één van de volgende omstandigheden wordt blootgesteld:

Overbelasting:

Als het gereedschap wordt gebruikt op een manier die een abnormaal hoge stroomsterkte vergt. In dat geval laat u de trekkerschakelaar van het gereedschap los en verhelpt u de oorzaak van de overbelasting. Vervolgens knijpt u de trekkerschakelaar weer in om het gereedschap weer te starten.

Als het gereedschap niet start, kan de accu oververhit zijn. In dat geval laat u de accu even afkoelen voordat u de trekkerschakelaar opnieuw inknijpt.

Onvoldoende accuspanning:









De resterende accucapaciteit is te laag en het gereedschap start niet. Als u de trekkerschakelaar inknijpt, draait de motor wel maar stopt kort daarna. In dat geval verwijderd u de accu en laadt u die opnieuw op.

De resterende acculading controleren

Alleen voor accu's waarvan het modelnummer eindigt op "B".

► Fig.2: 1. Indicatorlampjes 2. Testknop

Druk op de testknop op de accu om de resterende acculading te zien. De indicatorlampjes branden gedurende enkele seconden.

Indicatielampjes		Resterende capaciteit
Brandt	Uit	
		75% tot 100%
		50% tot 75%
		25% tot 50%
		0% tot 25%

OPMERKING: Afhankelijk van de gebruiksomstandigheden en de omgevingstemperatuur, is het mogelijk dat de aangegeven acculading verschilt van de werkelijke acculading.

De trekkerschakelaar gebruiken

⚠ALLET OP: Controleer altijd, voordat u de accu op het gereedschap aanbrengt, of de aan-uitschakelaar/trekkerschakelaar op de juiste manier schakelt en weer terugkeert naar de uit-stand nadat deze is losgelaten.

► Fig.3: 1. Uit-vergrendelknop 2. Uit-vergrendelhendel 3. Aan-uitschakelaar 4. Trekkerschakelaar

Om te voorkomen dat de aan-uitschakelaar/trekkerschakelaar per ongeluk wordt bediend, zijn de uit-vergrendelhendel/uit-vergrendelknop aangebracht. Om het gereedschap te starten, bedient u de aan-uitschakelaar/trekkerschakelaar.

- Om het gereedschap te starten, trekt u aan de uit-vergrendelhendel en knijpt u de

aan-uitschakelaar in.

- Om het gereedschap te starten, drukt u op de uit-vergrendelknop en knijpt u de trekkerschakelaar in. De uit-vergrendelknop kan vanaf de linker- of rechterkant worden ingedrukt.

Hoe groter de druk op de aan-uitschakelaar/trekker- schakelaar, hoe hoger de werksnelheid van het gereed- schap. Laat de aan-uitschakelaar/trekkerschakelaar los om het gereedschap te stoppen.

KENNISGEVING: Knijp de aan-uitschakelaar/trekker- schakelaar niet hard in zonder de uit-vergrendelknop/ uit-vergrendelhendel te bedienen. Hierdoor kan de schakelaar kapot gaan.

De lamp op de voorkant gebruiken

⚠ LET OP: Kijk niet direct in het lamplicht of in de lichtbron.

► **Fig.4:** 1. Lamp

Knijp de aan-uitschakelaar/trekkerschakelaar in om de lamp in te schakelen. De lamp blijft branden zo lang de aan-uitschakelaar/trekkerschakelaar wordt ingeknepen. Ongeveer 10 seconden nadat u de aan-uitschakelaar/ trekkerschakelaar hebt losgelaten, gaat de lamp uit.

OPMERKING: Gebruik een droge doek om vuil van de lens van de lamp af te vegen. Wees voorzichtig dat u de lens van de lamp niet bekrast omdat dan de verlichting minder wordt.

De schoen afstellen

► **Fig.5:** 1. Inbussleutel 2. Inbusbout
3. Losdraaien

Wanneer een gedeelte van de snede van het zaagblad niet meer goed snijdt, dient u de positie van de schoen bij te stellen om een ongebruikt scherp gedeelte van de snede te gebruiken. Het zaagblad zal dan langer meegaan.

Om de positie van de schoen bij te stellen, draait u de bout los met de inbussleutel. Schuif de schoen naar de gewenste stand en draai daarna de bout stevig vast.

MONTAGE

⚠ LET OP: Zorg altijd dat het gereedschap is uit- geschakeld en de accu ervan is verwijderd alvoren enig werk aan het gereedschap uit te voeren.

Het recipro-/decoupeerzaagblad aanbrengen of verwijderen

⚠ LET OP: Verwijder altijd alle spaanders en verontreinigingen van het zaagblad, de zaagblad- klem en/of de slede. Indien u dit niet doet, zal het zaagblad niet goed vastgezet zijn, hetgeen ernstige verwonding kan veroorzaken.

Voor model **JR103D**

► **Fig.6:** 1. Reciprozaagblad 2. Zaagbladklembus

Steek het reciprozaagblad zo ver mogelijk in de

zaagbladklem. De zaagbladklembus roteert en het reci- prozaagblad wordt vastgezet. Controleer of het recipro- zaagblad niet eruit komt wanneer u eraan trekt.

⚠ LET OP: Als het reciprozaagblad niet diep genoeg erin zit, kan het reciprozaagblad tijdens het zagen onverwachts eruit worden geworpen. Dit kan uitermate gevaarlijk zijn.

OPMERKING: U kunt het decoupeerzaagblad niet gebruiken met de JR103D.

► **Fig.7:** 1. Reciprozaagblad 2. Zaagbladklembus

Om het reciprozaagblad te verwijderen, draait u de zaagbladklembus zo ver mogelijk in de richting van de pijl. Het reciprozaagblad wordt verwijderd en de zaag- bladklembus wordt vergrendeld in de geopende stand.

OPMERKING: Als u het reciprozaagblad verwijdert, zonder eerst de zaagbladklembus zo ver mogelijk te draaien, wordt de bus mogelijk niet vergrendeld. In dat geval draait u de zaagbladklembus zo ver mogelijk en controleert u dat de zaagbladklembus is vergrendeld in de geopende stand.

Voor model **JR105D**

► **Fig.8:** 1. Inbussleutel 2. Bout 3. Losdraaien
4. Aanhalen

► **Fig.9:** 1. Reciprozaagblad 2. Inbussleutel
3. Gat voor reciprozaagblad 4. Zaagbladklem

Om het recipro-/decoupeerzaagblad aan te brengen, draait u de bout los met de inbussleutel. Bij het aan- brengen van het reciprozaagblad drukt u met de inbus- sleutel tegen de bout om de gleuf te openen tijdens het insteken van het zaagblad.

► **Fig.10:** 1. Recipro-/decoupeerzaagblad
2. Zaagbladklem 3. Gat voor reciprozaagblad
4. Gat voor decoupeerzaagblad

► **Fig.11**

U kunt zowel decoupeerzaagbladen (type B) als reci- prozaagbladen gebruiken afhankelijk van uw werk. Steek het recipro-/decoupeerzaagblad zo ver mogelijk in de zaagbladklem en zet het vast met de inbussleutel. Trek zacht aan het recipro-/decoupeerzaagblad om er zeker van te zijn dat het recipro-/decoupeerzaagblad er niet uit valt tijdens gebruik.

Om het recipro-/decoupeerzaagblad te verwijderen, volgt u de procedure in omgekeerde volgorde.

Opbergplaats voor de inbussleutel

► **Fig.12:** 1. Inbussleutel 2. Uitsteeksel

Wanneer de inbussleutel niet wordt gebruikt, bergt u hem op zoals aangegeven in de afbeelding zodat u hem niet verliest.

BEDIENING

⚠ LET OP: Druk tijdens het zagen de schoen altijd flink tegen het werkstuk aan. Als u tijdens het zagen de schoen weg houdt van het werkstuk, zal het zaagblad sterk gaan trillen en/of verdraaien, waardoor het zaagblad kan breken, hetgeen zeer gevaarlijk is.

⚠ LET OP: Trek voor zagen in metaal altijd handschoenen aan om uw handen te beschermen tegen wegvliegende hete metaaldeeltjes.

⚠ LET OP: Draag altijd geschikte oogbescherming die voldoet aan de geldende plaatselijke normen.

⚠ LET OP: Gebruik voor zagen in metaal altijd een geschikt koelmiddel (snijolie). Laat u dit na dan zal de gebruiksduur van het zaagblad voortijdig worden verkort.

► Fig.13

Druk de schoen flink tegen het werkstuk aan. Zorg ervoor dat het gereedschap geen schokken maakt. Breng het reciprozaagblad licht in contact met het werkstuk. Maak eerst op lage zaagsnelheid een geleide-groef. U kunt daarna met hogere snelheid verder zagen.

► Fig.14

► Fig.15

U kunt de aan-uitschakelaar of de trekkerschakelaar gebruiken afhankelijk van uw werkzaamheden.

OPMERKING: Als het gereedschap continu wordt bediend totdat de accu leeg is, laat u het gereedschap gedurende 15 minuten liggen alvorens verder te werken met een volle accu.

ONDERHOUD

⚠ LET OP: Zorg altijd dat het gereedschap is uitgeschakeld en de accu ervan is verwijderd alvorens te beginnen met onderhoud of inspectie.

KENNISGEVING: Gebruik nooit benzine, wasbenzine, thinner, alcohol en dergelijke. Hierdoor kunnen verkleuring, vervormingen en barsten worden veroorzaakt.

Om de VEILIGHEID en BETROUWBAARHEID van het gereedschap te handhaven, dienen alle reparaties, onderhoud of afstellingen te worden uitgevoerd bij een erkend Makita-servicecentrum of de Makita-fabriek, en altijd met gebruik van Makita-vervangingsonderdelen.

OPTIONELE ACCESSOIRES

⚠ LET OP: Deze accessoires of hulpstukken worden aanbevolen voor gebruik met het Makita gereedschap dat in deze gebruiksaanwijzing is beschreven. Bij gebruik van andere accessoires of hulpstukken bestaat het gevaar van persoonlijke letsel. Gebruik de accessoires of hulpstukken uitsluitend voor hun bestemde doel.

Wenst u meer bijzonderheden over deze accessoires, neem dan contact op met het plaatselijke Makita-servicecentrum.

- Reciprozaagbladen
- Decoupeerzaagbladen (alleen voor model JR105D)
- Originele Makita accu's en acculaders

OPMERKING: Sommige items op de lijst kunnen zijn inbegrepen in de doos van het gereedschap als standaard toebehoren. Deze kunnen van land tot land verschillen.

ESPECIFICACIONES

Modelo:	JR103D		JR105D	
Longitud de carrera	13 mm			
Carreras por minuto	0 - 3.300 min ⁻¹			
Capacidades máximas de corte	Tubería	50 mm		
	Madera	50 mm		
Tensión nominal	10,8 V CC			
Cartucho de batería	BL1015, BL1020B	BL1040B	BL1015, BL1020B	BL1040B
Longitud total	376 mm	386 mm	376 mm	386 mm
Peso neto	1,3 kg	1,5 kg	1,3 kg	1,5 kg

- Debido a nuestro continuado programa de investigación y desarrollo, las especificaciones aquí dadas están sujetas a cambios sin previo aviso.
- Las especificaciones y el cartucho de batería pueden diferir de país a país.
- Peso, con cartucho de batería, de acuerdo con el procedimiento EPTA 01/2003

Uso previsto

La herramienta ha sido prevista para serrar madera, plástico y materiales ferrosos.

Ruido

El nivel de ruido A-ponderado típico determinado de acuerdo con la norma EN60745:

Modelo JR103D

Nivel de presión sonora (L_{pA}) : 78 dB (A)

Error (K) : 3 dB (A)

El nivel de ruido en situación de trabajo puede exceder 80 dB (A).

Modelo JR105D

Nivel de presión sonora (L_{pA}) : 78 dB (A)

Error (K) : 3 dB (A)

El nivel de ruido en situación de trabajo puede exceder 80 dB (A).

ADVERTENCIA: Póngase protectores para oídos.

Vibración

El valor total de la vibración (suma de vectores triaxiales) determinado de acuerdo con la norma EN60745:

Modelo JR103D

Modo de trabajo: corte de tableros

Emisión de vibración ($a_{h,B}$) : 8,0 m/s²

Error (K) : 1,5 m/s²

Modo de trabajo: corte de travesaños de madera

Emisión de vibración ($a_{h,WB}$) 8,0m/s²

Error (K) : 1,5 m/s²

Modelo JR105D

Modo de trabajo: corte de tableros

Emisión de vibración ($a_{h,B}$) : 8,0m/s²

Error (K) : 1,5 m/s²

Modo de trabajo: corte de travesaños de madera

Emisión de vibración ($a_{h,WB}$) 8,0m/s²

Error (K) : 1,5 m/s²

NOTA: El valor de emisión de vibración declarado ha sido medido de acuerdo con el método de prueba estándar y se puede utilizar para comparar una herramienta con otra.

NOTA: El valor de emisión de vibración declarado también se puede utilizar en una valoración preliminar de exposición.

ADVERTENCIA: La emisión de vibración durante la utilización real de la herramienta eléctrica puede variar del valor de emisión declarado dependiendo de las formas en las que la herramienta sea utilizada.

ADVERTENCIA: Asegúrese de identificar medidas de seguridad para proteger al operario que estén basadas en una estimación de la exposición en las condiciones reales de utilización (teniendo en cuenta todas las partes del ciclo operativo como las veces cuando la herramienta está apagada y cuando está funcionando en vacío además del tiempo de gatillo).

Declaración de conformidad CE

Para países europeos solamente

Makita declara que la(s) máquina(s) siguiente(s):
Designación de máquina: Sierra Reciproca Inalámbrica
Modelo N°/ Tipo: JR103D, JR105D

Cumplen con las directivas europeas siguientes:
2006/42/CE

Están fabricadas de acuerdo con las normas o documentos normalizados siguientes: EN60745

El archivo técnico de acuerdo con la norma 2006/42/CE está disponible en:

Makita, Jan-Baptist Vinkstraat 2, 3070, Bélgica
24.2.2015



Yasushi Fukaya

Director

Makita, Jan-Baptist Vinkstraat 2, 3070, Bélgica

Advertencias de seguridad para herramientas eléctricas en general

⚠️ ADVERTENCIA: Lea todas las advertencias de seguridad y todas las instrucciones. Si no sigue las advertencias e instrucciones podrá resultar en una descarga eléctrica, un incendio y/o heridas graves.

Guarde todas las advertencias e instrucciones para futuras referencias.

El término "herramienta eléctrica" en las advertencias se refiere a su herramienta eléctrica de funcionamiento con conexión a la red eléctrica (con cable) o herramienta eléctrica de funcionamiento a batería (sin cable).

Advertencias de seguridad para la sierra recíproca inalámbrica

1. Cuando realice una operación en la que el accesorio de corte pueda entrar en contacto con cableado oculto, sujete la herramienta eléctrica por las superficies de aislamiento aisladas. El contacto del accesorio de corte con un cable con corriente hará que la corriente circule por las partes metálicas expuestas de la herramienta eléctrica y podrá soltar una descarga eléctrica al operario.
2. Utilice mordazas u otros medios de sujeción prácticos para sujetar y apoyar la pieza de trabajo en una plataforma estable. Sujetada con la mano o contra su cuerpo, la pieza de trabajo estará inestable y podrá ocasionar la pérdida del control.
3. Utilice siempre gafas de seguridad o pantalla facial. Las gafas normales o de sol NO son gafas de seguridad.
4. Evite cortar clavos. Inspeccione la pieza de trabajo por si tiene algún clavo y retirelos antes de empezar la operación.
5. No corte piezas de trabajo sobredimensionadas.
6. Compruebe que hay espacio suficiente debajo de la pieza de trabajo antes de cortar, de forma que la hoja de sierra no golpee contra el suelo, el banco de trabajo, etc.
7. Sujete la herramienta firmemente.
8. Asegúrese de que la hoja de sierra no está tocando la pieza de trabajo antes de activar el interruptor.
9. Mantenga las manos alejadas de las partes en movimiento.
10. No deje la herramienta en marcha. Tenga en marcha la herramienta solamente cuando la tenga en la mano.
11. Apague siempre la herramienta y espere hasta que la hoja de sierra se haya parado completamente antes de retirar la hoja de sierra de la pieza de trabajo.
12. No toque la hoja de sierra o la pieza de trabajo inmediatamente después de la operación;

podrían estar muy calientes y quemarle la piel.

13. No utilice la herramienta en vacío innecesariamente.
14. Utilice siempre la mascarilla contra el polvo/respirador correcto para el material y la aplicación con que esté trabajando.
15. Algunos materiales contienen sustancias químicas que pueden ser tóxicas. Tenga precaución para evitar la inhalación de polvo y el contacto con la piel. Siga los datos de seguridad del abastecedor del material.

GUARDE ESTAS INSTRUCCIONES.

⚠️ ADVERTENCIA: NO deje que la comodidad o familiaridad con el producto (a base de utilizarlo repetidamente) sustituya la estricta observancia de las normas de seguridad para el producto en cuestión. El MAL USO o el no seguir las normas de seguridad establecidas en este manual de instrucciones podrá ocasionar heridas personales graves.

Instrucciones de seguridad importantes para el cartucho de batería

1. Antes de utilizar el cartucho de batería, lea todas las instrucciones e indicaciones de precaución sobre (1) el cargador de baterías, (2) la batería, y (3) el producto con el que se utiliza la batería.
2. No desarme el cartucho de batería.
3. Si el tiempo de uso se acorta demasiado, cese la operación inmediatamente. Podría resultar en un riesgo de recalentamiento, posibles quemaduras e incluso una explosión.
4. Si entra electrolito en sus ojos, aclárelos con agua limpia y acuda a un médico inmediatamente. Existe el riesgo de poder perder la vista.
5. No cortocircuite el cartucho de batería:
 - (1) No toque los terminales con ningún material conductor.
 - (2) Evite guardar el cartucho de batería en un cajón junto con otros objetos metálicos, como clavos, monedas, etc.
 - (3) No exponga el cartucho de batería al agua ni a la lluvia.Un cortocircuito en la batería puede producir una gran circulación de corriente, un recalentamiento, posibles quemaduras e incluso una rotura de la misma.
6. No guarde la herramienta y el cartucho de batería en lugares donde la temperatura pueda alcanzar o exceder los 50 °C.
7. Nunca incinere el cartucho de batería incluso en el caso de que esté dañado seriamente o ya no sirva en absoluto. El cartucho de batería puede explotar si se tira al fuego.
8. Tenga cuidado de no dejar caer ni golpear el cartucho de batería.
9. No utilice una batería dañada.

10. Siga los reglamentos locales referentes al desecho de la batería.

GUARDE ESTAS INSTRUCCIONES.

Consejos para alargar al máximo la vida de servicio de la batería

1. Cargue el cartucho de batería antes de que se descargue completamente. Detenga siempre la operación y cargue el cartucho de batería cuando note menos potencia en la herramienta.
2. No cargue nunca un cartucho de batería que esté completamente cargado. La sobrecarga acortará la vida de servicio de la batería.
3. Cargue el cartucho de batería a temperatura ambiente de 10 °C - 40 °C. Si un cartucho de batería está caliente, déjelo enfriar antes de cargarlo.

DESCRIPCIÓN DEL FUNCIONAMIENTO

⚠PRECAUCIÓN: Asegúrese siempre de que la herramienta está apagada y el cartucho de batería retirado antes de realizar cualquier ajuste o comprobación en la herramienta.

Instalación o extracción del cartucho de batería

⚠PRECAUCIÓN: Apague siempre la herramienta antes de instalar o retirar el cartucho de batería.

⚠PRECAUCIÓN: Sujete la herramienta y el cartucho de batería firmemente cuando instale o retire el cartucho de batería. Si no sujeta la herramienta y el cartucho de batería firmemente podrán caérsele de las manos y resultar en daños a la herramienta y al cartucho de batería y heridas personales.

► **Fig.1:** 1. Indicador rojo 2. Botón 3. Cartucho de batería

Para retirar el cartucho de batería, deslícelo de la herramienta mientras desliza el botón de la parte frontal del cartucho.

Para instalar el cartucho de batería, alinee la lengüeta del cartucho de batería con la ranura de la carcasa y deslícelo hasta que encaje en su sitio. Insértelo a tope hasta que se bloquee en su sitio produciendo un pequeño chasquido. Si puede ver el indicador rojo en el lado superior del botón, no estará bloqueado completamente.

⚠PRECAUCIÓN: Instale siempre el cartucho de batería completamente hasta que no pueda verse el indicador rojo. En caso contrario, podrá caerse accidentalmente de la herramienta y ocasionarle heridas a usted o a alguien que esté cerca de usted.

⚠PRECAUCIÓN: No instale el cartucho de batería empleando fuerza. Si el cartucho no se desliza al interior fácilmente, será porque no está siendo insertado correctamente.

Sistema de protección de la batería

La herramienta está equipada con un sistema de protección de la batería. Este sistema corta automáticamente la alimentación del motor para alargar la vida útil de la batería.

La herramienta se detendrá automáticamente durante la operación si la herramienta y/o la batería son puestas en una de las condiciones siguientes:

Sobrecargada:

La herramienta es utilizada de una manera que da lugar a que tenga que absorber una corriente anormalmente alta.

En esta situación, suelte el gatillo interruptor de la herramienta y detenga la tarea que ocasiona la sobrecarga de la herramienta. Después apriete el gatillo interruptor otra vez para volver a ponerla en marcha.

Si la herramienta no se pone en marcha, la batería estará recalentada. En esta situación, deje que la batería se enfríe antes de apretar el gatillo interruptor otra vez.

Tensión baja en la batería:

La capacidad de batería restante es muy baja y la herramienta no funcionará. Si aprieta el gatillo interruptor, el motor se pondrá en marcha otra vez pero se detendrá enseguida. En esta situación, retire la batería y vuelva a cargarla.

Modo de indicar la capacidad de batería restante

Solamente para cartuchos de batería con "B" al final del número de modelo

► **Fig.2:** 1. Lámparas indicadoras 2. Botón de comprobación

Presione el botón de comprobación en el cartucho de batería para indicar la capacidad de batería restante. Las lámparas indicadoras se iluminan durante unos pocos segundos.

Lámparas de indicación		Capacidad restante
Iluminada	Apagada	
■ ■ ■ ■	□	75% a 100%
■ ■ ■ □	□	50% a 75%
■ ■ □ □	□	25% a 50%
■ □ □ □	□	0% a 25%

NOTA: Dependiendo de las condiciones de utilización y de la temperatura ambiente, la indicación podrá variar ligeramente de la capacidad real.

Accionamiento del interruptor

⚠PRECAUCIÓN: Antes de instalar el cartucho de batería en la herramienta, compruebe siempre para cerciorarse de que el interruptor de palanca/gatillo interruptor se acciona debidamente y que vuelve a la posición "OFF" cuando lo suelta.

► **Fig.3:** 1. Botón de desbloqueo 2. Palanca de desbloqueo 3. Interruptor de palanca 4. Gatillo interruptor

Para evitar que el interruptor de palanca/gatillo interruptor pueda ser accionado accidentalmente, se ha provisto una palanca/botón de desbloqueo.

Para poner en marcha la herramienta, apriete el interruptor de palanca o el gatillo interruptor.

- Para el interruptor de palanca, apriete la palanca de desbloqueo y después apriete el interruptor de palanca para poner en marcha la herramienta.
- Para el gatillo interruptor, presione hacia dentro el botón de desbloqueo y después apriete el gatillo interruptor para poner en marcha la herramienta. El botón de desbloqueo se puede presionar tanto desde la derecha como desde la izquierda.

La velocidad de la herramienta incrementa aumentando la presión en el interruptor de palanca/gatillo interruptor. Suelte el interruptor de palanca/gatillo interruptor para parar.

AVISO: No apriete el interruptor de palanca/gatillo interruptor con fuerza sin presionar hacia dentro la palanca/botón de desbloqueo. Podría romper el interruptor.

Encendido de la lámpara delantera

⚠PRECAUCIÓN: No mire a la luz ni vea la fuente de luz directamente.

► **Fig.4:** 1. Lámpara

Apriete el interruptor de palanca/gatillo interruptor para encender la lámpara. La lámpara seguirá encendida mientras el interruptor de palanca/gatillo interruptor esté siendo apretado.

La lámpara se apagará aproximadamente 10 segundos después de soltar el interruptor de palanca/gatillo interruptor.

NOTA: Utilice un paño seco para quitar la suciedad de la lente de la lámpara. Tenga cuidado de no rayar la lente de la lámpara, porque podrá disminuir la iluminación.

Ajuste de la zapata

► **Fig.5:** 1. Llave hexagonal 2. Perno hexagonal 3. Aflojar

Cuando la hoja de sierra pierda su eficacia de corte en un lugar a lo largo de su borde cortante, reposicione la zapata para utilizar una porción afilada y sin usar de su borde cortante. Esto ayudará a alargar la vida de

servicio de la hoja de sierra.

Para reposicionar la zapata, afloje el perno con la llave hexagonal. Deslice la zapata hasta la posición deseada y después apriete el perno firmemente.

MONTAJE

⚠PRECAUCIÓN: Asegúrese siempre de que la herramienta está apagada y el cartucho de batería retirado antes de realizar cualquier trabajo en la herramienta.

Para instalar o retirar la hoja de sierra recíproca/calar

⚠PRECAUCIÓN: Limpie siempre todas las virutas y materias extrañas adheridas a la hoja de sierra, abrazadera de la hoja de sierra y/o guía de deslizamiento. En caso contrario, la hoja de sierra podrá quedar insuficientemente apretada, pudiendo resultar en heridas graves.

Para el modelo JR103D

► **Fig.6:** 1. Hoja de sierra recíproca 2. Manguito de la abrazadera de la hoja de sierra

Inserte la hoja de sierra recíproca en la abrazadera de la sierra a tope. El manguito de la abrazadera de la hoja de sierra gira y fija la hoja de sierra recíproca. Asegúrese de que la hoja de sierra recíproca no se pueda extraer aunque intente sacarla.

⚠PRECAUCIÓN: Si no inserta la hoja de sierra recíproca suficientemente a tope, la hoja de sierra recíproca podrá salirse inesperadamente durante la operación. Esto puede ser muy peligroso.

NOTA: No se puede utilizar la hoja de sierra de calar con JR103D.

► **Fig.7:** 1. Hoja de sierra recíproca 2. Manguito de la abrazadera de la hoja de sierra

Para quitar la hoja de sierra recíproca, gire el manguito de la abrazadera de la hoja de sierra completamente en la dirección de la flecha. La hoja de sierra recíproca se retira y el manguito de la abrazadera de la hoja de sierra se fija en la posición liberada.

NOTA: Si retira la hoja de sierra recíproca sin girar completamente el manguito de la abrazadera de la hoja de sierra, es posible que el manguito no esté fijado. En este caso, gire completamente el manguito de la abrazadera de la hoja de sierra, después fije el manguito en la posición liberada.

Para el modelo JR105D

► **Fig.8:** 1. Llave hexagonal 2. Perno 3. Aflojar 4. Apretar

► **Fig.9:** 1. Hoja de sierra recíproca 2. Llave hexagonal 3. Orificio para la hoja de sierra recíproca 4. Abrazadera de la hoja de sierra

Para instalar la hoja de sierra recíproca/calar, afloje el perno con la llave hexagonal. Cuando instale una hoja de sierra recíproca, presione el perno con la llave

hexagonal para abrir la ranura durante la inserción de la hoja de sierra.

► **Fig.10:** 1. Hoja de sierra recíproca/calar
2. Abrazadera de la hoja de sierra 3. Orificio para la hoja de sierra recíproca 4. Orificio para la hoja de sierra de calar

► **Fig.11**

Puede utilizar ambas hojas de sierra de calar (tipo B) y hojas de sierra recíproca de acuerdo con su trabajo. Inserte la hoja de sierra recíproca/calar en línea recta en la abrazadera de la hoja de sierra y apriétela con la llave hexagonal. Tire de la hoja de sierra recíproca/calar ligeramente para asegurarse de que la hoja de sierra recíproca/calar no se cae durante la operación. Para desmontar la hoja de sierra recíproca/calar, siga el procedimiento de instalación a la inversa.

Para guardar la llave hexagonal

► **Fig.12:** 1. Llave hexagonal 2. Saliente

Cuando no la esté utilizando, coloque la llave hexagonal como se muestra en la figura para evitar perderla.

OPERACIÓN

⚠PRECAUCIÓN: Apriete siempre la zapata firmemente contra la pieza de trabajo durante la operación. Si la zapata es mantenida apartada de la pieza de trabajo durante la operación, se producirán vibraciones fuertes y/o retorcidas, causando que la hoja de sierra se rompa de forma peligrosa.

⚠PRECAUCIÓN: Póngase siempre guantes para proteger sus manos de las virutas calientes que saltan cuando se corta metal.

⚠PRECAUCIÓN: Asegúrese siempre de ponerse protección apropiada para los ojos que cumpla con las normas nacionales actuales.

⚠PRECAUCIÓN: Utilice siempre un refrigerante apropiado (aceite para cortar) cuando corte metal. De no hacerlo, ocasionará un desgaste prematuro de la hoja de sierra.

► **Fig.13**

Apriete la zapata firmemente contra la pieza de trabajo. No permita que la herramienta rebote. Acerque la hoja de sierra recíproca hasta entrar en ligero contacto con la pieza de trabajo. Primero, haga una ranura piloto utilizando una velocidad más lenta. Después, utilice una velocidad más rápida para continuar cortando.

► **Fig.14**

► **Fig.15**

Puede utilizar el interruptor de palanca o el gatillo interruptor de acuerdo con trabajo.

NOTA: Si la herramienta es utilizada continuamente hasta que el cartucho de batería se haya descargado, deje descansar la herramienta durante 15 minutos antes de proceder con una batería fresca.

MANTENIMIENTO

⚠PRECAUCIÓN: Asegúrese siempre de que la herramienta está apagada y de que el cartucho de batería está retirado antes de intentar hacer una inspección o mantenimiento.

AVISO: No utilice nunca gasolina, bencina, disolvente, alcohol o similares. Podría producir descoloración, deformación o grietas.

Para mantener la SEGURIDAD y FIABILIDAD del producto, las reparaciones, y cualquier otra tarea de mantenimiento o ajuste deberán ser realizadas en centros de servicio o de fábrica autorizados por Makita, empleando siempre repuestos Makita.

ACCESORIOS OPCIONALES

⚠PRECAUCIÓN: Estos accesorios o aditamentos están recomendados para su uso con la herramienta Makita especificada en este manual. El uso de cualquier otro accesorio o aditamento puede suponer un riesgo de heridas personales. Utilice el accesorio o aditamento solamente con la finalidad indicada para el mismo.

Si necesita cualquier ayuda para más detalles en relación con estos accesorios, pregunte al centro de servicio Makita local.

- Hojas de sierra recíproca
- Hojas de sierra de calar (solamente para el modelo JR105D)
- Batería y cargador genuinos de Makita

NOTA: Algunos elementos de la lista podrán estar incluidos en el paquete de la herramienta como accesorios estándar. Pueden variar de un país a otro.

ESPECIFICAÇÕES

Modelo:	JR103D		JR105D	
Comprimento de corte	13 mm			
Cortes por minuto	0 - 3.300 min ⁻¹			
Capacidade máx. de corte	Tubo	50 mm		
	Madeira	50 mm		
Tensão nominal	CC 10,8 V			
Bateria	BL1015, BL1020B	BL1040B	BL1015, BL1020B	BL1040B
Comprimento geral	376 mm	386 mm	376 mm	386 mm
Peso líquido	1,3 kg	1,5 kg	1,3 kg	1,5 kg

- Devido a um programa contínuo de pesquisa e desenvolvimento, estas especificações estão sujeitas a alteração sem aviso prévio.
- As especificações e a bateria podem variar de país para país.
- Peso, com a bateria, de acordo com o Procedimento 01/2003 da EPTA (European Power Tool Association)

Utilização a que se destina

Esta ferramenta destina-se a cortar madeira, plástico e materiais ferrosos.

Ruído

A característica do nível de ruído A determinado de acordo com a EN60745:

Modelo JR103D

Nível de pressão acústica (L_{pA}): 78 dB (A)

Variabilidade (K): 3 dB (A)

O nível de ruído durante o funcionamento pode exceder 80 dB (A).

Modelo JR105D

Nível de pressão acústica (L_{pA}): 78 dB (A)

Variabilidade (K): 3 dB (A)

O nível de ruído durante o funcionamento pode exceder 80 dB (A).

AVISO: Utilize protetores auriculares.

Vibração

Valor total da vibração (soma vetorial tri-axial) determinado de acordo com a EN60745:

Modelo JR103D

Modo de trabalho: cortar tábuas

Emissão de vibração ($a_{h,B}$): 8,0 m/s²

Variabilidade (K): 1,5 m/s²

Modo de trabalho: cortar vigas de madeira

Emissão de vibração ($a_{h,WB}$): 8,0 m/s²

Variabilidade (K): 1,5 m/s²

Modelo JR105D

Modo de trabalho: cortar tábuas

Emissão de vibração ($a_{h,B}$): 8,0 m/s²

Variabilidade (K): 1,5 m/s²

Modo de trabalho: cortar vigas de madeira

Emissão de vibração ($a_{h,WB}$): 8,0 m/s²

Variabilidade (K): 1,5 m/s²

NOTA: O valor da emissão de vibração indicado foi medido de acordo com o método de teste padrão e pode ser utilizado para comparar duas ferramentas.

NOTA: O valor da emissão de vibração indicado pode também ser utilizado na avaliação preliminar da exposição.

AVISO: A emissão de vibração durante a utilização real da ferramenta elétrica pode diferir do valor de emissão indicado, dependendo das formas como a ferramenta é utilizada.

AVISO: Certifique-se de identificar as medidas de segurança para proteção do operador que sejam baseadas em uma estimativa de exposição em condições reais de utilização (considerando todas as partes do ciclo de operação, tal como quando a ferramenta está desligada e quando está a funcionar em marcha lenta além do tempo de acionamento).

Declaração de conformidade CE

Só para países Europeus

A Makita declara que a(s) seguinte(s) máquina(s):

Designação da ferramenta: Serra Sabre a Bateria

N.º/ Tipo de modelo: JR103D, JR105D

Em conformidade com as seguintes diretivas europeias: 2006/42/CE

São fabricadas de acordo com as seguintes normas ou documentos normalizados: EN60745

O ficheiro técnico, que está em conformidade com a 2006/42/CE, está disponível em:

Makita, Jan-Baptist Vinkstraat 2, 3070, Bélgica

24.2.2015



Yasushi Fukaya

Diretor

Makita, Jan-Baptist Vinkstraat 2, 3070, Bélgica

Avisos gerais de segurança para ferramentas elétricas

⚠️ AVISO: Leia todos os avisos de segurança e todas as instruções. O não cumprimento de todos os avisos e instruções pode originar choque elétrico, incêndio e/ou ferimentos graves.

Guarde todos os avisos e instruções para futuras referências.

O termo “ferramenta elétrica” nos avisos refere-se às ferramentas elétricas ligadas à corrente elétrica (com cabo) ou às ferramentas elétricas operadas por meio de bateria (sem cabo).

Avisos de segurança da serra sobre a bateria

1. **Segure na ferramenta elétrica pelas superfícies de aderência isoladas quando executar uma operação em que o acessório de corte possa entrar em contacto com fios ocultos.** O contacto do acessório de corte com um fio elétrico “sob tensão” pode tornar as partes metálicas expostas da ferramenta elétrica “sob tensão” e pode causar um choque elétrico ao operador.
2. **Utilize grampos ou qualquer outro modo prático para prender e suportar a peça de trabalho numa superfície estável.** Segurar no peça de trabalho com a mão ou contra o corpo deixa-o instável e pode conduzir à perda de controlo.
3. **Utilize sempre óculos de segurança. Os óculos normais ou de sol NÃO são óculos de segurança.**
4. **Evite cortar pregos.** Inspeccione a peça de trabalho e se tiver pregos, tire-os antes da operação.
5. **Não corte peças de trabalho de tamanho muito grande.**
6. **Verifique se tem a folga adequada sob a peça de trabalho antes de cortar, de modo a que a lâmina não bata no chão, bancada, etc.**
7. **Segure a ferramenta firmemente.**
8. **Certifique-se de que a lâmina não está em contacto com a peça de trabalho antes de ligar o interruptor.**
9. **Mantenha as mãos afastadas das partes em movimento.**
10. **Não deixe a ferramenta a funcionar. Opere a ferramenta apenas quando a estiver a agarrar.**
11. **Desligue sempre e espere que a lâmina pare completamente antes de retirar a lâmina da peça de trabalho.**
12. **Não toque na lâmina ou na peça de trabalho imediatamente a seguir à operação pois podem estar extremamente quentes e provocar queimaduras.**
13. **Não utilize com a ferramenta em vazio desnecessariamente.**
14. **Utilize sempre a máscara de pó/respirador correto para o material e a aplicação com que está a trabalhar.**
15. **Alguns materiais contêm químicos que podem**

ser tóxicos. Tome cuidado para evitar a inalação de poeira e o contacto com a pele. Siga os dados de segurança do fornecedor do material.

GUARDE ESTAS INSTRUÇÕES.

⚠️ AVISO: NÃO permita que conforto ou familiaridade com o produto (adquirido com o uso repetido) substitua a aderência estrita às regras de segurança da ferramenta. **MÁ INTERPRETAÇÃO** ou não seguimento das regras de segurança estabelecidas neste manual de instruções pode causar danos pessoais sérios.

Instruções de segurança importantes para a bateria

1. **Antes de utilizar a bateria, leia todas as instruções e etiquetas de precaução no (1) carregador de bateria (2) bateria e (3) produto que utiliza a bateria.**
2. **Não abra a bateria.**
3. **Se o tempo de funcionamento se tornar excessivamente curto, pare o funcionamento imediatamente. Pode resultar em sobreaquecimento, possíveis queimaduras e mesmo explosão.**
4. **Se entrar eletrólito nos seus olhos, lave-os com água e consulte imediatamente um médico. Pode resultar em perda de visão.**
5. **Não coloque a bateria em curto-circuito:**
 - (1) **Não toque nos terminais com qualquer material condutor.**
 - (2) **Evite guardar a bateria juntamente com outros objetos metálicos tais como pregos, moedas, etc.**
 - (3) **Não exponha a bateria à água ou chuva. Um curto-circuito pode ocasionar um enorme fluxo de corrente, sobreaquecimento, possíveis queimaduras e mesmo estragar-se.**
6. **Não guarde a ferramenta e a bateria em locais onde a temperatura pode atingir ou exceder 50°C.**
7. **Não queime a bateria mesmo que esteja estragada ou completamente gasta. A bateria pode explodir no fogo.**
8. **Tenha cuidado para não deixar cair ou dar pancadas na bateria.**
9. **Não utilize uma bateria danificada.**
10. **Siga os regulamentos locais relacionados com a eliminação de baterias.**

GUARDE ESTAS INSTRUÇÕES. Conselhos para manter a máxima vida útil da bateria

1. **Carregue a bateria antes que esteja completamente descarregada. Pare sempre o funcionamento da ferramenta e carregue a bateria quando notar menos poder na ferramenta.**
2. **Nunca carregue uma bateria completamente carregada. Carregamento excessivo diminui a vida útil da bateria.**
3. **Carregue a bateria à temperatura ambiente**

de 10°C – 40°C. Deixe que uma bateria quente arrefeça antes de a carregar.

DESCRIÇÃO FUNCIONAL

⚠️PRECAUÇÃO: Certifique-se sempre de que a ferramenta está desligada e a bateria foi retirada antes de regular ou verificar qualquer função na ferramenta.

Instalação ou remoção da bateria

⚠️PRECAUÇÃO: Desligue sempre a ferramenta antes de colocar ou retirar a bateria.

⚠️PRECAUÇÃO: Segure firmemente a ferramenta e a bateria quando instalar ou remover a bateria. Se não segurar firmemente a ferramenta e a bateria pode fazer com que escorreguem das suas mãos resultando em danos na ferramenta e na bateria e ferimentos pessoais.

► **Fig. 1:** 1. Indicador vermelho 2. Botão
3. Bateria

Para retirar a bateria, deslize-a para fora da ferramenta enquanto desliza o botão na frente da bateria.

Para instalar a bateria, alinhe a lingueta da bateria com a ranhura no compartimento e deslize-a no lugar. Empurre-a até o fim para que a mesma encaixe no lugar com um clique. Se puder ver a parte vermelha no lado superior do botão, significa que não está completamente bloqueada.

⚠️PRECAUÇÃO: Instale sempre a bateria até ao fim, até deixar de ver o indicador vermelho. Caso contrário, a bateria poderá cair da ferramenta acidentalmente e provocar ferimentos em si mesmo ou em alguém próximo.

⚠️PRECAUÇÃO: Não instale a bateria à força. Se a bateria não deslizar facilmente é porque não foi colocada corretamente.

Sistema de proteção da bateria

A ferramenta está equipada com um sistema de proteção da bateria. Este sistema corta automaticamente a energia para o motor a fim de prolongar a vida útil da bateria.

A ferramenta para automaticamente durante o funcionamento se a mesma e/ou a bateria estiver numa das seguintes circunstâncias:

Sobrecarga:

A ferramenta é utilizada de tal forma que puxa uma corrente elevada demais.

Nesse caso, liberte o gatilho do interruptor na ferramenta e pare a operação que provocou a sobrecarga da ferramenta. Em seguida, aperte o gatilho do interruptor outra vez para ligar.

Se a ferramenta não ligar, a bateria está superaquecida. Nesse caso, aguarde até a bateria arrefecer antes de apertar o gatilho do interruptor outra vez.

Baixa tensão da bateria:

A carga restante da bateria está baixa demais e a ferramenta não funciona. Se puxar o gatilho do interruptor,

o motor funciona novamente mas para logo a seguir. Nesse caso, retire a bateria e recarregue-a.

Indicação da capacidade restante da bateria

Apenas as baterias com a indicação “B” no final do número do modelo

► **Fig. 2:** 1. Luzes indicadoras 2. Botão de verificação

Prima o botão de verificação na bateria para indicar a capacidade restante da bateria. As luzes indicadoras acendem durante alguns segundos.

Luzes indicadoras		Carga restante
Aceso	Desligada	
		75% a 100%
		50% a 75%
		25% a 50%
		0% a 25%

NOTA: Dependendo das condições de utilização e da temperatura ambiente, a indicação pode ser ligeiramente diferente da capacidade real.

Ação do interruptor

⚠️PRECAUÇÃO: Antes de instalar a bateria na ferramenta, verifique sempre se a alavanca do interruptor/gatilho está a funcionar corretamente e se volta à posição “OFF” depois de o soltar.

► **Fig. 3:** 1. Botão de desbloqueio 2. Alavanca de desbloqueio 3. Alavanca do interruptor
4. Gatilho

Para evitar que a alavanca do interruptor/gatilho seja puxado acidentalmente, existe uma alavanca/botão de desbloqueio.

Para ligar a ferramenta, puxe a alavanca do interruptor ou gatilho.

- Se a ferramenta estiver equipada com uma alavanca do interruptor, puxe a alavanca de desbloqueio e puxe a alavanca do interruptor para pôr a ferramenta a trabalhar.
- Se a ferramenta estiver equipada com um gatilho, prima o botão de desbloqueio e puxe o gatilho para pôr a ferramenta a trabalhar. O botão de desbloqueio pode ser premido a partir do lado direito ou esquerdo.

A velocidade da ferramenta aumenta de acordo com a pressão na alavanca do interruptor/gatilho. Liberte a alavanca do interruptor/gatilho para parar.

OBSERVAÇÃO: Não puxe a alavanca do interruptor/gatilho com força sem puxar a alavanca/botão de desbloqueio. Pode partir o interruptor.

Acender a lâmpada da frente

⚠️ PRECAUÇÃO: Não olhe para a luz ou para a fonte de iluminação diretamente.

► **Fig.4:** 1. Lâmpada

Puxe a alavanca do interruptor/gatilho para acender a lâmpada. A lâmpada continua a acender enquanto a alavanca do interruptor/gatilho estiver a ser apertado. A lâmpada apaga-se aproximadamente 10 segundos depois de soltar a alavanca do interruptor/gatilho.

NOTA: Utilize um pano seco para limpar a sujidade da lente da lâmpada. Tenha cuidado para não riscar a lente da lâmpada ou a iluminação pode ficar enfraquecida.

Ajustar a sapata

► **Fig.5:** 1. Chave sextavada 2. Parafuso sextavado 3. Desapertar

Quando a lâmina perde a capacidade de corte num ponto da extremidade de corte, reposicione a sapata para utilizar uma porção afiada, não utilizada da sua extremidade de corte. Isto ajudará a prolongar a vida útil da lâmina.

Para reposicionar a sapata, solte o parafuso com a chave sextavada. Deslize a sapata para a posição pretendida e aperte o parafuso em segurança.

MONTAGEM

⚠️ PRECAUÇÃO: Certifique-se sempre de que a ferramenta está desligada e a bateria retirada antes de executar qualquer trabalho na ferramenta.

Instalação ou extração da lâmina da serra de sabre/recortes

⚠️ PRECAUÇÃO: Limpe sempre todas as aparas ou matérias estranhas que tenham colado à lâmina, suporte da lâmina e/ou ao cursor. O não cumprimento desta recomendação, pode causar aperto insuficiente da lâmina resultando em ferimentos graves.

Para o modelo JR103D

► **Fig.6:** 1. Lâmina da serra de sabre 2. Manga do grampo da lâmina

Insira a lâmina da serra de sabre no grampo da lâmina o mais fundo possível. A manga do grampo da lâmina roda e fixa a lâmina da serra de sabre. Certifique-se de que não é possível extrair a lâmina da serra de sabre mesmo que tente puxá-la.

⚠️ PRECAUÇÃO: Se não colocar a lâmina da serra de sabre suficientemente fundo, a lâmina da serra de sabre pode ser expelida inesperadamente durante o funcionamento. Isto pode ser extremamente perigoso.

NOTA: Não pode ainda utilizar a lâmina da serra de recorte com o JR103D.

► **Fig.7:** 1. Lâmina da serra de sabre 2. Manga do grampo da lâmina

Para retirar a lâmina da serra de sabre, rode a manga do grampo da lâmina até ao fim na direção da seta. A lâmina da serra de sabre é retirada e a manga do grampo da lâmina fica fixa na posição libertada.

NOTA: Se retirar a lâmina da serra de sabre sem rodar a manga do grampo da lâmina até ao fim, a manga pode não ficar fixa. Neste caso, rode a manga do grampo da lâmina até ao fim e, em seguida, certifique-se de que a manga está fixa na posição libertada.

Para o modelo JR105D

► **Fig.8:** 1. Chave sextavada 2. Parafuso 3. Desapertar 4. Apertar

► **Fig.9:** 1. Lâmina da serra de sabre 2. Chave sextavada 3. Orifício para a lâmina da serra de sabre 4. Grampo da lâmina

Para instalar a lâmina da serra de sabre/recorte, solte o parafuso com a chave sextavada. Quando instalar uma lâmina da serra de sabre, empurre o parafuso com a chave sextavada para abrir a ranhura durante a inserção da lâmina.

► **Fig.10:** 1. Lâmina da serra de sabre/recorte 2. Grampo da lâmina 3. Orifício para a lâmina da serra de sabre 4. Orifício para a lâmina da serra de recorte

► **Fig.11**

Pode utilizar ambas as lâmina da serra de recorte (tipo B) e as lâminas da serra de sabre de acordo com o seu trabalho. Insira a lâmina da serra de sabre/recorte a direito dentro do grampo da lâmina e aperte-a com a chave sextavada. Puxe ligeiramente a lâmina da serra de sabre/recorte para garantir que a lâmina da serra de sabre/recorte não cai durante o funcionamento. Para retirar a lâmina da serra de sabre/recorte, siga o procedimento de instalação pela ordem inversa.

Guardar a chave sextavada

► **Fig.12:** 1. Chave sextavada 2. Saliência

Quando não estiver a ser usada, guarde a chave sextavada como indicado na figura, para evitar que se perca.

OPERAÇÃO

⚠PRECAUÇÃO: Pressione sempre a sapata com firmeza contra a peça de trabalho durante o funcionamento. Se a sapata for mantida afastada da peça de trabalho durante o funcionamento, produzir-se-ão vibrações fortes e/ou torções que causarão a rutura perigosa da lâmina.

⚠PRECAUÇÃO: Quando cortar metal use sempre luvas para proteger as mãos das fagulhas que saltam.

⚠PRECAUÇÃO: Certifique-se sempre de que usa proteção adequada para os olhos, que esteja de acordo com as normas nacionais atuais.

⚠PRECAUÇÃO: Utilize sempre um refrigerante adequado (óleo de corte) quando cortar metal. O não cumprimento desta recomendação pode provocar o desgaste prematura da lâmina.

► Fig.13

Pressione a sapata firmemente contra a peça de trabalho. Não deixe a ferramenta ressaltar. Faça a lâmina da serra de sabre entrar ligeiramente em contacto com a peça de trabalho. Comece por fazer uma ranhura de referência a baixa velocidade. Seguidamente prossiga o corte numa velocidade mais rápida.

► Fig.14

► Fig.15

Pode utilizar a alavanca do interruptor ou o gatilho de acordo com o seu trabalho.

NOTA: Se a ferramenta funcionar continuamente até a bateria ficar descarregada, deixe a ferramenta de lado 15 minutos antes de prosseguir com uma bateria nova.

MANUTENÇÃO

⚠PRECAUÇÃO: Certifique-se sempre de que a ferramenta se encontra desligada e de que a bateria foi retirada antes de executar qualquer inspeção ou manutenção.

OBSERVAÇÃO: Nunca utilize gasolina, benzina, diluente, álcool ou produtos semelhantes. Pode ocorrer a descoloração, deformação ou rachaduras.

Para manter a SEGURANÇA e a FIABILIDADE do produto, as reparações e qualquer outra manutenção ou ajuste devem ser levados a cabo pelos centros de assistência Makita autorizados ou pelos centros de assistência de fábrica, utilizando sempre peças de substituição Makita.

ACESSÓRIOS OPCIONAIS

⚠PRECAUÇÃO: Estes acessórios ou peças são recomendados para utilização com a ferramenta Makita especificada neste manual. A utilização de outros acessórios ou peças pode ser perigosa para as pessoas. Utilize apenas acessórios ou peças para os fins indicados.

Se necessitar de informações adicionais relativas a estes acessórios, solicite-as ao seu centro de assistência Makita.

- Lâminas da serra de sabre
- Lâminas da serra de recorte (apenas para o modelo JR105D)
- Bateria e carregador genuínos da Makita

NOTA: Alguns itens da lista podem estar incluídos na embalagem da ferramenta como acessórios padrão. Eles podem variar de país para país.

SPECIFIKATIONER

Model:		JR103D		JR105D	
Slaglængde		13 mm			
Antal slag pr. minut		0 - 3.300 min ⁻¹			
Maks. skærekapacitet	Rør	50 mm			
	Træ	50 mm			
Mærkespænding		D.C. 10,8 V			
Akku	BL1015, BL1020B	BL1040B	BL1015, BL1020B	BL1040B	
Længde i alt	376 mm	386 mm	376 mm	386 mm	
Nettovægt	1,3 kg	1,5 kg	1,3 kg	1,5 kg	

- På grund af vores kontinuerlige forsknings- og udviklingsprogrammer kan hosstående specifikationer blive ændret uden varsel.
- Specifikationer og akku kan variere fra land til land.
- Vægt inklusive akku, i henhold til EPTA-Procedure 01/2003

Tilsigtet anvendelse

Maskinen er beregnet til savning i træ, plast og jernholdige materialer.

Lyd

Det typiske A-vægtede støjniveau bestemt i overensstemmelse med EN60745:

Model JR103D

Lydtryksniveau (L_{pA}): 78 dB (A)

Usikkerhed (K): 3 dB (A)

Støjniveauet under arbejdet kan overskride 80 dB (A).

Model JR105D

Lydtryksniveau (L_{pA}): 78 dB (A)

Usikkerhed (K): 3 dB (A)

Støjniveauet under arbejdet kan overskride 80 dB (A).

ADVARSEL: Bær høreværn.

Vibration

Vibrationens totalværdi (tre-aksial vektorsum) bestemt i overensstemmelse med EN60745:

Model JR103D

Arbejdstilstand: skæring af plader

Vibrationsafgivelse ($a_{h,B}$): 8,0 m/s²

Usikkerhed (K): 1,5 m/s²

Arbejdstilstand: skæring af træbjælker

Vibrationsafgivelse ($a_{h,WB}$): 8,0 m/s²

Usikkerhed (K): 1,5 m/s²

Model JR105D

Arbejdstilstand: skæring af plader

Vibrationsafgivelse ($a_{h,B}$): 8,0 m/s²

Usikkerhed (K): 1,5 m/s²

Arbejdstilstand: skæring af træbjælker

Vibrationsafgivelse ($a_{h,WB}$): 8,0 m/s²

Usikkerhed (K): 1,5 m/s²

BEMÆRK: Den angivne vibrationsemissionsværdier blevet målt i overensstemmelse med standardtestmetoden og kan anvendes til at sammenligne et værktøj med et andet.

BEMÆRK: Den angivne vibrationsemissionsværdien kan også anvendes i en præliminær eksponeringsvurdering.

ADVARSEL: Vibrationsemissionen under den faktiske anvendelse af værktøjet kan være forskellig fra den erklærede emissionsværdi, afhængigt af den måde, hvorpå værktøjet anvendes.

ADVARSEL: Sørg for at identificere de sikkerhedsforskrifter til beskyttelse af operatøren, som er baseret på en vurdering af eksponering under de faktiske brugsforhold (med hensyntagen til alle dele i brugscyklussen, f.eks. de gange, hvor værktøjet er slukket, og når det kører i tomgang i tilgift til afbrydertiden).

EU-konformitetserklæring

Kun for lande i Europa

Makita erklærer, at den følgende maskine (maskiner):

Maskinens betegnelse: Akku bajonetsav

Model nr./ Type: JR103D, JR105D

Opfylder betingelserne i de følgende EU-direktiver:

2006/42/EU

De er fremstillet i overensstemmelse med den følgende

standard eller standardiserede dokumenter: EN60745

Den tekniske fil, som er i overensstemmelse med

2006/42/EU er tilgængelig fra:

Makita, Jan-Baptist Vinkstraat 2, 3070, Belgien

24.2.2015

Yasushi Fukaya

Yasushi Fukaya

Direktør

Makita, Jan-Baptist Vinkstraat 2, 3070, Belgien

Almindelige sikkerhedsregler for el-værktøj

⚠ ADVARSEL: Læs alle sikkerhedsadvarsler og alle sikkerhedsinstruktioner. Hvis nedenstående advarsler og instruktioner ikke overholdes, kan det medføre elektrisk stød, brand og/eller alvorlig personskade.

Gem alle advarsler og instruktioner til fremtidig reference.

Ordet "el-værktøj" i advarslerne henviser til det netforsyede (netledning) el-værktøj eller batteriforsyede (akku) el-værktøj.

Sikkerhedsadvarsler for akku bajonetsav

1. Hold maskinen i de isolerede håndtagsflader, når der udføres et arbejde, hvor det skærende tilbehør kan komme i kontakt med skjulte ledninger. Skærende tilbehør, som kommer i kontakt med en strømførende ledning, kan bevirke, at udsatte metaldele på maskinen bliver strømførende, hvorved operatøren kan få elektrisk stød.
2. Anvend spændestykker eller en anden praktisk måde til at fastspænde og støtte arbejdsemnet til en stabil flade. Hvis arbejdsemnet holdes med hånden eller støttes mod kroppen, vil det være ustabil, hvilket kan medføre, at De mister kontrollen over det.
3. Anvend altid sikkerhedsbriller. Almindelige briller eller solbriller er IKKE det samme som sikkerhedsbriller.
4. Undgå at save i søm. Tjek arbejdsemnet for søm, og fjern dem, før arbejdet påbegyndes.
5. Sav ikke i for store arbejdsemner.
6. Tjek for tilstrækkelig frigang under arbejdsemnet, før der saves, så klingens ikke rammer gulvet, arbejdsbænken eller lignende.
7. Hold godt fast i maskinen.
8. Sørg for, at klingens ikke er i kontakt med arbejdsemnet, før der trykkes på afbryderen.
9. Hold hænderne væk fra bevægelige dele.
10. Lad ikke maskinen køre i tomgang. Anvend kun maskinen håndholdt.
11. Sluk altid, og vent, indtil klingens står helt stille, før klingens fjernes fra arbejdsemnet.
12. Rør ikke ved klingens eller arbejdsemnet umiddelbart efter anvendelse. De kan begge være meget varme og forårsage forbrænding af huden.
13. Anvend ikke maskinen unødigt uden belastning.
14. Anvend altid korrekt støvmaske/ånde-rætsværn i henhold til det materiale og den anvendelse, De arbejder med.
15. Nogle materialer indeholder kemikalier, som kan være giftige. Vær påpasselig med at forhindre inhalering af støv og hudkontakt. Følg materiale-leverandørens sikkerhedsdata.

GEM DENNE BRUGSANVISNING.

⚠ ADVARSEL: LAD IKKE bekvemmelighed eller kendskab til produktet (opnået gennem gentagen brug) forhindre, at sikkerhedsforskrifterne for produktet nøje overholdes. MISBRUG eller for-sømmelse af at følge de i denne brugsvejledning givne sikkerhedsforskrifter kan føre til, at De kommer alvorligt til skade.

Vigtige sikkerhedsinstruktioner for akkuen

1. Læs alle instruktioner og advarelsmærkater på (1) akku-opladeren, (2) akkuen og (3) produktet, som anvender akku.
2. Lad være med at skille akkuen ad.
3. Hold straks op med anvendelsen, hvis brugstiden er blevet stærkt afkortet. Fortsat anvendelse kan resultere i risiko for overophedning, forbrændinger og endog eksplosion.
4. Hvis De har fået elektrolytvæske i øjnene, skal De straks skylle den ud med rent vand og derefter øjeblikkeligt søge lægehjælp. I modsat fald kan De miste synet.
5. Vær påpasselig med ikke at komme til at kortslutte akkuen:
 - (1) Rør ikke ved terminalerne med noget ledende materiale.
 - (2) Undgå at opbevare akkuen i en beholder sammen med andre genstande af metal, for eksempel søm, mønter og lignende.
 - (3) Udsæt ikke akkuen for vand eller regn. Kortslutning af akkuen kan forårsage en kraftig øgning af strømmen, overophedning, mulige forbrændinger og endog værktøjstop.
6. Opbevar ikke værktøjet og akkuen på et sted, hvor temperaturen kan nå eller overstige 50 °C.
7. Lad være med at brænde akkuen, selv ikke i tilfælde, hvor den har lidt alvorlig skade eller er fuldstændig udtjent. Akkuen kan eksplodere, hvis man forsøger at brænde den.
8. Lad være med at brænde akkuen eller udsætte den for stød.
9. Anvend ikke en beskadiget akku.
10. Følg de lokale love vedrørende bortskaffelsen af batterier.

GEM DENNE BRUGSANVISNING. Tips til opnåelse af maksimal akku-levetid

1. Oplad akkuen, inden den er helt afladet. Stop altid værktøjet, og oplad akkuen, hvis De bemærker, at værktøjeffekten er aftagende.
2. Genoplad aldrig en fuldt opladet akku. Overopladning vil afkorte akkuens levetid.
3. Oplad akkuen ved stuetemperatur ved 10 °C - 40 °C. Lad altid en varm akku få tid til at køle af, inden den oplades.

FUNKTIONSBESKRIVELSE

⚠ FORSIGTIG: Sørg altid for at maskinen er slukket, og at akkuen er taget ud, før der udføres justering eller kontrol af funktioner på maskinen.

Isætning eller fjernelse af akkuen

⚠ FORSIGTIG: Sluk altid for værktøjet, før De monterer eller fjerner akkuen.

⚠ FORSIGTIG: Hold værktøjet og akkuen fast ved montering eller fjernelse af akkuen. Hvis De ikke holder værktøjet og akkuen fast, kan de glide ud af hænderne på Dem og forårsage beskadigelse af værktøjet og akkuen eller personskade.

► Fig.1: 1. Rød indikator 2. Knap 3. Akku

Akkuen fjernes ved, at De trækker den ud af værktøjet, idet De skyder knappen på forsiden af akkuen i stilling. Akkuen monteres ved, at De sætter tungen på akkuen ud for noten i kabinettet og lader den glide på plads. Sæt den hele vejen ind, så den låses på plads med et lille klik. Hvis den røde indikator på oversiden af knappen er synlig, betyder det, at den ikke er tilstrækkeligt låst.

⚠ FORSIGTIG: Monter altid akkuen helt, indtil den røde indikator ikke længere er synlig. Hvis dette ikke gøres, kan den falde ud af værktøjet ved et uheld, hvorved De selv eller personer i nærheden kan komme til skade.

⚠ FORSIGTIG: Brug ikke magt ved montering af akkuen. Hvis akkuen ikke glider på plads uden problemer, betyder det, at den ikke sættes i på korrekt vis.

Batteribeskyttelsessystem

Maskinen er udstyret med et batteribeskyttelsessystem. Dette system afbryder automatisk strømmen til motoren for at forlænge akkulevetiden.

Maskinen stopper automatisk under anvendelsen, hvis maskinen og/eller akkuen udsættes for en af de følgende situationer:

Overbelastet:

Maskinen anvendes på en sådan måde, at den bruger unormalt meget strøm.

I denne situation skal De slippe afbryderknappen på maskinen og stoppe den anvendelse, som førte til overbelastning af maskinen. Tryk derefter afbryderknappen ind igen for at genstarte.

Hvis maskinen ikke starter, er akkuen overophedet. I denne situation skal De lade akkuen køle af, inden De trykker afbryderknappen ind igen.

Lav spænding på akkuen:

Den resterende kapacitet på akkuen er for lav, og maskinen vil ikke fungere. Hvis De trykker afbryderknappen ind, kører motoren igen, men stopper hurtigt. I denne situation skal De fjerne og oplade akkuen.

Indikation af den resterende batteriladning

Un akkuer, hvor modelnummeret slutter med "B"

► Fig.2: 1. Indikatorlamper 2. Kontrolknop

Tryk på kontrolknappen på akkuen for at få vist den resterende batteriladning. Indikatorlampen lyser i nogle sekunder.

Indikatorlamper		Resterende kapacitet
Tændt	Slukket	
■ ■ ■ ■	□	75% til 100%
■ ■ ■ □	□	50% til 75%
■ ■ □ □	□ □	25% til 50%
■ □ □ □	□ □ □ □	0% til 25%

BEMÆRK: Afhængigt af brugsforholdene og den omgivende temperatur kan indikationen afvige en smule fra den faktiske ladning.

Afbryderbetjening

⚠ FORSIGTIG: Før akkuen sættes i maskinen, skal De altid sikre Dem, at afbryderhåndtaget/afbryderknappen fungerer korrekt, og at den springer tilbage i "OFF"-positionen, når den slippes.

► Fig.3: 1. Låseknop 2. Låsehåndtag
3. Afbryderhåndtag 4. Afbryderknop

For at forhindre, at der trykkes på afbryderhåndtaget/afbryderknappen ved et uheld, er maskinen forsynet med låsehåndtag/låseknop.

For at starte maskinen trækkes der i afbryderhåndtaget eller afbryderknappen.

- For afbryderhåndtaget trækkes der i låsehåndtaget, hvorefter De trækker afbryderhåndtaget for at starte maskinen.
- For afbryderknappen trykkes der på låseknappen, hvorefter De trækker afbryderknappen for at starte maskinen. Der kan trykkes på låseknappen fra højre eller fra venstre.

Maskinens hastighed øges ved øget tryk på afbryderhåndtaget/afbryderknappen. Slip afbryderhåndtaget/afbryderknappen for at stoppe.

BEMÆRKNING: Undgå at trække hårdt i afbryderhåndtaget/afbryderknappen uden at trække låsehåndtaget/låseknappen. Dette kan ødelægge afbryderen.

Tænding af lampen foran

⚠ FORSIGTIG: Kig aldrig direkte på lyskilden. Lad ikke lyset falde i Deres øjne.

► Fig.4: 1. Lampe

Træk afbryderhåndtaget/afbryderknappen for at tænde lampen. Lampen lyser, så længe der trækkes i afbryderhåndtaget/afbryderknappen.

Lampen slukkes, cirka 10 sekunder efter at afbryderhåndtaget/afbryderknappen slippes.

BEMÆRK: Brug en tør klud til at tørre snavset af lampens linse. Pas på ikke at ridse lampens linse, da dette muligvis kan dæmpe belysningen.

Indstilling af føringsanslaget

► **Fig.5:** 1. Unbrakonøgle 2. Sekskantbolt
3. Løsn

Når savklingsens skærekant er nedslidt på et sted, kan De ændre føringsanslagets indstilling, så De efterfølgende kan anvende et skarpt, ubrugt sted på savklingsen. Derved forlænges savklingsens levetid.

Løsn bolten med unbrakonøglen for at ændre føringsanslagets placering. Træk føringsanslaget til den ønskede placering, og stram derefter bolten godt til.

SAMLING

⚠FORSIGTIG: Sørg altid for at maskinen er slukket, og at akkuen er taget ud, før der udføres noget arbejde på maskinen.

Montering eller afmontering af bajonet-/stiksavklingen

⚠FORSIGTIG: Fjern altid spån eller fremmedlegemer, der måtte klæbe til savklingen, savklingefastholderen og/eller hopstangen. Forsømmelse af dette kan resultere i utilstrækkelig tilspænding af savklingen, hvilket igen kan føre til alvorlig personskade.

For Model JR103D

► **Fig.6:** 1. Bajonetsavklinge
2. Klingefastholdermuffe

Sæt bajonetsavklingen så langt som muligt ind i klingefastholderen. Klingefastholdermuffen drejer og fastlåser bajonetsavklingen. Kontrollér, at bajonetsavklingen ikke kan trækkes ud, selv om dette forsøges.

⚠FORSIGTIG: Hvis De ikke sætter bajonetsavklingen tilstrækkeligt langt ind, kan bajonetsavklingen pludselig blive skudt ud under brugen. Dette kan være ekstremt farligt.

BEMÆRK: De kan ikke benytte stiksavklingen med JR103D.

► **Fig.7:** 1. Bajonetsavklinge
2. Klingefastholdermuffe

Afmonter bajonetsavklingen ved at dreje klingefastholdermuffen hele vejen i pilens retning. Bajonetsavklingen kommer fri, og klingefastholdermuffen fastholdes i den frigjorte position.

BEMÆRK: Hvis De fjerner bajonetsavklingen uden at dreje klingefastholdermuffen hele vejen, vil muffen muligvis ikke blive låst fast. Drej i så tilfælde klingefastholdermuffen hele vejen, og fastgør derefter muffen i den frigjorte position.

For model JR105D

► **Fig.8:** 1. Unbrakonøgle 2. Bolt 3. Løsn
4. Stram

► **Fig.9:** 1. Bajonetsavklinge 2. Unbrakonøgle
3. Hul til bajonetsavklinge 4. Klingefastholder

Løsn bolten med unbrakonøglen for at montere bajonet-/stiksavklingen. Ved montering af en bajonetsavklinge trykkes der på bolten med unbrakonøglen for at åbne huller under indsætning af klingen.

► **Fig.10:** 1. Bajonet-/stiksavklinge
2. Klingefastholder 3. Hul til bajonetsavklinge
4. Hul til stiksavklinge

► **Fig.11**

De kan benytte både stiksavklinger (B-typen) og bajonetsavklinger, afhængigt af Deres arbejde. Sæt bajonet-/stiksavklingen lige ind i klingefastholderen, og stram den til med unbrakonøglen. Træk let i bajonet-/stiksavklingen for at sikre Dem, at bajonet-/stiksavklingen ikke falder af under brugen.

Følg monteringsvejledningen i omvendt rækkefølge for at fjerne bajonet-/stiksavklingen.

Opbevaring af unbrakonøgle

► **Fig.12:** 1. Unbrakonøgle 2. Fremspring

Når unbrakonøglen ikke bruges, opbevares den som vist i figuren for at forhindre, at den bliver væk.

ANVENDELSE

⚠FORSIGTIG: De skal altid trykke føringsanslaget fast mod arbejdsemnet under brug. Hvis føringsanslaget holdes væk fra arbejdsemnet under arbejdet, vil der opstå kraftig vibration og/eller vridding, hvorved klingen kan springe farligt.

⚠FORSIGTIG: Ved savning i metal bør De altid bære handsker for at beskytte hænderne mod flyvende, varme spåner.

⚠FORSIGTIG: Sørg altid for at bære passende øjenbeskyttelse, som er i overensstemmelse med de gældende nationale standarder.

⚠FORSIGTIG: Ved savning i metal bør De altid anvende et egnet kølemiddel (skæreolie). Hvis De ikke gør det, medfører det unødvendigt slid på savklingen.

► **Fig.13**

Tryk føringsanslaget fast mod arbejdsemnet. Lad ikke maskinen springe. Hold saven således, at bajonetsavklingen netop berører arbejdsemnet. Start med at lave en styrerille ved lav hastighed. Brug derefter en højere hastighed til at fortsætte snittet.

► **Fig.14**

► **Fig.15**

De kan benytte afbryderhåndtaget eller afbryderknappen, som det passer med Deres arbejde.

BEMÆRK: Hvis maskinen benyttes konstant, indtil akkuen er afladet, skal De lade maskinen hvile i 15 minutter, før der fortsættes med et nyt batteri.

VEDLIGEHOLDELSE

⚠FORSIGTIG: Vær altid sikker på, at værktøjet er slukket, og at akkuen er taget ud, inden De begynder at udføre inspektion eller vedligeholdelse.

BEMÆRKNING: Anvend aldrig benzin, rensbenzin, fortynder, alkohol og lignende. Det kan medføre misfarvning, deformation eller revner.

For at opretholde produktets SIKKERHED og PÅLIDELIGHED må reparation, vedligeholdelse eller justering kun udføres af et autoriseret Makita servicecenter eller fabrikkens servicecenter med anvendelse af Makita reservedele.

EKSTRAUDSTYR

⚠FORSIGTIG: Det følgende tilbehør og ekstraudstyr er anbefalet til brug med Deres Makita maskine, der er beskrevet i denne brugsanvisning. Anvendelse af andet tilbehør eller ekstraudstyr kan udgøre en risiko for personskade. Anvend kun tilbehør og ekstraudstyr til det beskrevne formål.

Hvis De behøver hjælp ved valg af tilbehør eller ønsker yderligere informationer, bedes De kontakte Deres lokale Makita servicecenter.

- Bajonetsavklinger
- Stiksavklinger (kun til model JR105D)
- Original Makita-akku og oplader

BEMÆRK: Nogle ting på denne liste kan være inkluderet i værktøjspakken som standardtilbehør. Det kan være forskellige fra land til land.

ΠΡΟΔΙΑΓΡΑΦΕΣ

Μοντέλο:	JR103D		JR105D	
Μήκος διαδρομής	13 mm			
Διαδρομές ανά λεπτό	0 - 3.300 min ⁻¹			
Μέγιστες ικανότητες κοπής	Σωλήνας	50 mm		
	Ξύλο	50 mm		
Ονομαστική τάση	D.C. 10,8 V			
Κασέτα μπαταρίας	BL1015, BL1020B	BL1040B	BL1015, BL1020B	BL1040B
Συνολικό μήκος	376 mm	386 mm	376 mm	386 mm
Καθαρό βάρος	1,3 kg	1,5 kg	1,3 kg	1,5 kg

- Λόγω του συνεχιζόμενου προγράμματος έρευνας και ανάπτυξης, οι προδιαγραφές αυτές υπόκεινται σε αλλαγές χωρίς προειδοποίηση.
- Οι προδιαγραφές και η κασέτα μπαταριών μπορεί να διαφέρουν ανάλογα με τη χώρα.
- Βάρος, με κασέτα μπαταριών, σύμφωνα με τη διαδικασία ΕΡΤΑ 01/2003

Προοριζόμενη χρήση

Το εργαλείο προορίζεται για πριόνισμα ξύλου, πλαστικού και σιδηρούχων υλικών.

Θόρυβος

Το τυπικό Α επίπεδο καταμετρημένου θορύβου καθορίζεται σύμφωνα με το EN60745:

Μοντέλο JR103D

Στάθμη ηχητικής πίεσης (L_{pA}): 78 dB (A)

Αβεβαιότητα (K): 3 dB (A)

Η ένταση θορύβου υπό συνθήκες εργασίας μπορεί να υπερβεί τα 80 dB (A).

Μοντέλο JR105D

Στάθμη ηχητικής πίεσης (L_{pA}): 78 dB (A)

Αβεβαιότητα (K): 3 dB (A)

Η ένταση θορύβου υπό συνθήκες εργασίας μπορεί να υπερβεί τα 80 dB (A).

ΠΡΟΕΙΔΟΠΟΙΗΣΗ: Να φοράτε γυαλιά.

Κραδασμός

Η ολική τιμή δόνησης (άθροισμα τρι-αξονικού διανύσματος) καθορίζεται σύμφωνα με το EN60745:

Μοντέλο JR103D

Είδος εργασίας: κοπή σανίδων

Εκπομπή δόνησης ($a_{n,B}$): 8,0 m/s²

Αβεβαιότητα (K): 1,5 m/s²

Είδος εργασίας: κοπή ξύλινων δοκών

Εκπομπή δόνησης ($a_{n,WB}$): 8,0m/s²

Αβεβαιότητα (K): 1,5 m/s²

Μοντέλο JR105D

Είδος εργασίας: κοπή σανίδων

Εκπομπή δόνησης ($a_{n,B}$): 8,0m/s²

Αβεβαιότητα (K): 1,5 m/s²

Είδος εργασίας: κοπή ξύλινων δοκών

Εκπομπή δόνησης ($a_{n,WB}$): 8,0m/s²

Αβεβαιότητα (K): 1,5 m/s²

ΠΑΡΑΤΗΡΗΣΗ: Η δηλωμένη τιμή εκπομπής κραδασμών έχει μετρηθεί σύμφωνα με την πρότυπη μέθοδο δοκιμής και μπορεί να χρησιμοποιηθεί για τη σύγκριση ενός εργαλείου με άλλο.

ΠΑΡΑΤΗΡΗΣΗ: Η δηλωμένη τιμή εκπομπής κραδασμών μπορεί να χρησιμοποιηθεί και στην προκαταρκτική αξιολόγηση έκθεσης.

ΠΡΟΕΙΔΟΠΟΙΗΣΗ: Η εκπομπή κραδασμών κατά τη χρήση του ηλεκτρικού εργαλείου σε πραγματικές συνθήκες μπορεί να διαφέρει από τη δηλωμένη τιμή εκπομπής ανάλογα με τον τρόπο χρήσης του εργαλείου.

ΠΡΟΕΙΔΟΠΟΙΗΣΗ: Φροντίστε να λάβετε τα κατάλληλα μέτρα προστασίας του χειριστή βάσει ενός υπολογισμού της έκθεσης σε πραγματικές συνθήκες χρήσης (λαμβάνοντας υπόψη όλες τις συνιστώσες του κύκλου λειτουργίας όπως τους χρόνους που το εργαλείο είναι εκτός λειτουργίας και όταν βρίσκεται σε αδρανή λειτουργία πέραν του χρόνου ενεργοποίησης).

Δήλωση Συμμόρφωσης ΕΚ

Μόνο για χώρες της Ευρώπης

Η Makita δηλώνει ότι τα ακόλουθα μηχανήματα: Χαρακτηρισμός μηχανήματος: Παλινδρομικό πριόνι μπαταρίας

Αρ. μοντέλου/ Τύπος: JR103D, JR105D

Συμμορφώνονται με τις ακόλουθες Ευρωπαϊκές Οδηγίες: 2006/42/EK

Κατασκευάζονται σύμφωνα με τα ακόλουθα πρότυπα ή έγγραφα τυποποίησης: EN60745

Το τεχνικό αρχείο σύμφωνα με την 2006/42/EK διατίθεται από:

Makita, Jan-Baptist Vinkstraat 2, 3070, Βέλγιο
24.2.2015

Yasushi Fukaya

Yasushi Fukaya

Διευθυντής

Makita, Jan-Baptist Vinkstraat 2, 3070, Βέλγιο

Γενικές προειδοποιήσεις ασφαλείας για το ηλεκτρικό εργαλείο

▲ΠΡΟΕΙΔΟΠΟΙΗΣΗ: Διαβάστε όλες τις προειδοποιήσεις για την ασφάλεια και όλες τις οδηγίες. Η μη τήρηση των προειδοποιήσεων και οδηγιών μπορεί να καταλήξει σε ηλεκτροπληξία, πυρκαγιά ή/και σοβαρό τραυματισμό.

Φυλάξτε όλες τις προειδοποιήσεις και τις οδηγίες για μελλοντική παραπομπή.

Στις προειδοποιήσεις, ο όρος «ηλεκτρικό εργαλείο» αναφέρεται σε ηλεκτρικό εργαλείο που τροφοδοτείται από την κύρια παροχή ηλεκτρικού ρεύματος (με ηλεκτρικό καλώδιο) ή σε ηλεκτρικό εργαλείο που τροφοδοτείται από μπαταρία (χωρίς ηλεκτρικό καλώδιο).

Προειδοποιήσεις ασφαλείας για το παλινδρομικό πριόνι μπαταρίας

1. Να κρατάτε το ηλεκτρικό εργαλείο από τις μονωμένες επιφάνειες λαβής όταν εκτελείτε εργασίες κατά τις οποίες το εξάρτημα κοπής μπορεί να έρθει σε επαφή με κρυμμένα καλώδια. Σε περίπτωση επαφής του εξαρτήματος κοπής με ηλεκτροφόρο καλώδιο, μπορεί τα εκτεθειμένα μεταλλικά εξαρτήματα του ηλεκτρικού εργαλείου να καταστούν τα ίδια ηλεκτροφόρα και να προκαλέσουν ηλεκτροπληξία στο χειριστή.
2. Να χρησιμοποιείτε σφιγκτήρες ή κάποιο άλλο πρακτικό μέσο για να ασφαλίσετε και να στηρίζετε το τεμάχιο εργασίας σε μια σταθερή πλατφόρμα. Αν κρατάτε το τεμάχιο εργασίας με το χέρι σας ή επάνω στο σώμα σας, θα είναι ασταθές και μπορεί να χάσετε τον έλεγχο.
3. Να χρησιμοποιείτε πάντα γυαλιά ασφαλείας ή προστατευτικά γυαλιά. Τα συνηθισμένα γυαλιά οράσεως ή γυαλιά ηλίου ΔΕΝ είναι γυαλιά ασφαλείας.
4. Να αποφεύγετε την κοπή καρφιών. Να επιθεωρείτε το τεμάχιο εργασίας για καρφιά και αφαιρέστε τα πριν από τη λειτουργία.
5. Μην κόβετε υπερμεγέθη τεμάχια εργασίας.
6. Πριν από την κοπή, να ελέγχετε ότι υπάρχει επαρκής απόσταση πίσω από το τεμάχιο εργασίας ώστε η λάμα να μη χτυπήσει το δάπεδο, τον πάγκο εργασίας, κτλ.
7. Κρατήστε το εργαλείο σταθερά.
8. Να βεβαιώνετε ότι η λάμα δεν ακουμπάει το τεμάχιο εργασίας πριν ενεργοποιήσετε το διακόπτη.
9. Μην πλησιάζετε τα χέρια σας σε κινούμενα μέρη.
10. Μην αφήνετε το εργαλείο σε λειτουργία. Το εργαλείο πρέπει να βρίσκεται σε λειτουργία μόνο όταν το κρατάτε.
11. Να σβήνετε πάντα το εργαλείο και να περιμένετε να σταματήσει να κινείται εντελώς η λάμα πριν τη βγάλετε από το τεμάχιο εργασίας.
12. Μην αγγίζετε τη λάμα ή το τεμάχιο εργασίας αμέσως μετά τη λειτουργία. Μπορεί να είναι εξαιρετικά ζεστά και να σας προκαλέσουν

εγκαύματα.

13. Μη θέτετε το εργαλείο σε λειτουργία χωρίς φορτίο όταν αυτό δεν είναι απαραίτητο.
14. Να χρησιμοποιείτε πάντα προσωπίδα κατά της σκόνης/αναπνευστήρα που είναι κατάλληλα για το υλικό και την εφαρμογή σας.
15. Μερικά υλικά περιέχουν χημικά που μπορεί να είναι τοξικά. Προσέχετε ώστε να αποφεύγετε την εισπνοή σκόνης και την επαφή με το δέρμα. Ακολουθείτε τα δεδομένα ασφαλείας υλικού που παρέχονται από τον προμηθευτή.

ΦΥΛΑΞΤΕ ΤΙΣ ΟΔΗΓΙΕΣ ΑΥΤΕΣ.

▲ΠΡΟΕΙΔΟΠΟΙΗΣΗ: ΜΗΝ επιτρέψετε το βαθμό άνεσης ή εξοικείωσης με το προϊόν (λόγω επανειλημμένης χρήσης) να αντικαταστήσει την αυστηρή τήρηση των κανόνων ασφαλείας του παρόντος εργαλείου. Η ΛΑΝΘΑΣΜΕΝΗ ΧΡΗΣΗ ή η αμέλεια να ακολουθήσετε τους κανόνες ασφαλείας που διατυπώνονται στο παρόν εγχειρίδιο οδηγιών μπορεί να προκαλέσει σοβαρό προσωπικό τραυματισμό.

Σημαντικές οδηγίες ασφαλείας για κασέτα μπαταριών

1. Πριν χρησιμοποιήσετε την κασέτα μπαταριών, διαβάστε όλες τις οδηγίες και σημειώσεις προφύλαξης (1) στον φορτιστή μπαταριών, (2) στην μπαταρία και (3) στο προϊόν που χρησιμοποιεί την μπαταρία.
2. Μην αποσυρμαμολογήσετε την κασέτα μπαταριών.
3. Εάν ο χρόνος λειτουργίας έχει γίνει υπερβολικά βραχύς, σταματήστε τη λειτουργία αμέσως. Αλλιώς, μπορεί να έχει ως αποτέλεσμα κίνδυνο υπερθέρμανσης, πιθανά εγκαύματα ή ακόμη και έκρηξη.
4. Εάν ηλεκτρολύτης μπει στα μάτια σας, ξεπλύνετε τα με καθαρό νερό και ζητήστε ιατρική φροντίδα αμέσως. Αλλιώς, μπορεί να έχει ως αποτέλεσμα απώλεια της όρασης σας.
5. Μη βραχυκυκλώνετε την κασέτα μπαταριών:
 - (1) Μην αγγίζετε τους πόλους με οτιδήποτε αγώγιμο υλικό.
 - (2) Αποφεύγετε να αποθηκεύετε την κασέτα μπαταριών μέσα σε ένα δοχείο μαζί με άλλα μεταλλικά αντικείμενα όπως καρφιά, νομίσματα, κλπ.
 - (3) Μην εκθέτετε την κασέτα μπαταριών στο νερό ή στη βροχή.Ένα βραχυκύκλωμα μπαταρίας μπορεί να προκαλέσει μεγάλη ροή ρεύματος, υπερθέρμανση, πιθανά εγκαύματα ακόμη και σοβαρή βλάβη.
6. Μην αποθηκεύετε το εργαλείο και την κασέτα μπαταριών σε τοποθεσίες όπου η θερμοκρασία μπορεί να φτάσει ή να ξεπεράσει τους 50°C.
7. Μην καίτε την κασέτα μπαταριών ακόμη και εάν έχει σοβαρή ζημιά ή είναι εντελώς φθαρμένη. Η κασέτα μπαταριών μπορεί να εκραγεί στη φωτιά.
8. Προσέχετε να μη ρίξετε κάτω ούτε να

χτυπήσετε την μπαταρία.

- Μη χρησιμοποιείτε μπαταρία που έχει υποστεί ζημία.
- Τηρήστε τους τοπικούς κανονισμούς που σχετίζονται με τη διάθεση της μπαταρίας.

ΦΥΛΑΞΤΕ ΤΙΣ ΟΔΗΓΙΕΣ ΑΥΤΕΣ.

Συμβουλές για τη διατήρηση της μέγιστης ζωής μπαταρίας

- Φορτίζετε την κασέτα μπαταριών πριν από την πλήρη αποφόρτισή της. Πάντοτε να σταματάτε τη λειτουργία του εργαλείου και να φορτίζετε την κασέτα μπαταριών όταν παρατηρείτε μειωμένη ισχύ εργαλείου.
- Ποτέ μην επαναφορτίζετε μια πλήρως φορτισμένη κασέτα μπαταριών. Η υπερφόρτιση μειώνει την ωφέλιμη ζωή της μπαταρίας.
- Να φορτίζετε την κασέτα μπαταριών σε θερμοκρασία δωματίου, δηλαδή στους 10°C έως 40°C. Αφήστε μια θερμή κασέτα μπαταριών να κρυώσει πριν την φορτίσετε.

ΠΕΡΙΓΡΑΦΗ ΛΕΙΤΟΥΡΓΙΑΣ

⚠️ ΠΡΟΣΟΧΗ: Να φροντίζετε πάντα για την απενεργοποίηση του εργαλείου και την αφαίρεση της κασέτας μπαταρίας, πριν από οποιαδήποτε ρύθμιση ή έλεγχο της λειτουργίας του.

Τοποθέτηση ή αφαίρεση της κασέτας μπαταριών

⚠️ ΠΡΟΣΟΧΗ: Να σβήνετε πάντα το εργαλείο πριν τοποθετήσετε ή αφαιρέσετε την κασέτα μπαταριών.

⚠️ ΠΡΟΣΟΧΗ: Κρατήστε το εργαλείο και την κασέτα μπαταριών σταθερά κατά την τοποθέτηση ή αφαίρεση της κασέτας μπαταριών. Εάν δεν κρατάτε το εργαλείο και την κασέτα μπαταριών σταθερά μπορεί να γλιστρήσουν από τα χέρια σας και να προκαλέσει βλάβη στο εργαλείο και την κασέτα μπαταριών και προσωπικός τραυματισμός.

► **Εικ.1:** 1. Κόκκινη ένδειξη 2. Κουμπί 3. Κασέτα μπαταριών

Για να αφαιρέσετε την κασέτα μπαταριών, ολισθήστε την από το εργαλείο ενώ σύρετε το κουμπί στο μπροστινό μέρος της κασέτας.

Για να τοποθετήσετε την κασέτα μπαταριών, ευθυγραμμίστε τη γλώσσα στην κασέτα μπαταριών με την αύλακα στην υποδοχή και ολισθήστε τη στη θέση της. Να την τοποθετείτε πλήρως μέχρι να ασφαλίσει στη θέση της, γεγονός που υποδεικνύεται με ένα χαρακτηριστικό ήχο. Εάν μπορείτε να δείτε την κόκκινη ένδειξη στην επάνω πλευρά του κουμπιού, δεν έχει κλειδώσει τελείως.

⚠️ ΠΡΟΣΟΧΗ: Να τοποθετείτε πάντα την κασέτα μπαταριών πλήρως μέχρι να μη βλέπετε την κόκκινη ένδειξη. Εάν δεν ασφαλιστεί, μπορεί να πέσει από το εργαλείο τυχαία, προκαλώντας σωματική βλάβη σε εσάς ή κάποιον άλλο γύρω σας.

⚠️ ΠΡΟΣΟΧΗ: Μην τοποθετείτε την κασέτα μπαταριών με βία. Εάν η κασέτα δεν ολισθαίνει με ευκολία, τότε δεν έχει τοποθετηθεί κατάλληλα.

Σύστημα προστασίας μπαταρίας

Το εργαλείο είναι εξοπλισμένο με σύστημα προστασίας της μπαταρίας. Αυτό το σύστημα αποκόπτει αυτόματα την ισχύ προς το μοτέρ για να παραταθεί η διάρκεια ζωής της μπαταρίας.

Το εργαλείο σταματάει αυτόματα κατά τη διάρκεια της λειτουργίας αν το εργαλείο ή/και η μπαταρία βρεθούν κάτω από τις παρακάτω συνθήκες:

Υπερφόρτωση:

Το εργαλείο λειτουργεί με τρόπο ώστε να αναγκάζεται να καταναλώνει ασυνήθιστα υψηλό ρεύμα. Σε αυτή την κατάσταση, αφήστε τη σκανδάλη διακόπτη στο εργαλείο και διακόψτε την εφαρμογή που προκαλεί την υπερφόρτωση του εργαλείου. Στη συνέχεια, τραβήξτε ξανά τη σκανδάλη διακόπτη για επανεκκίνηση. Αν το εργαλείο δεν ξεκινάει, η μπαταρία έχει υπερθερμανθεί. Σε αυτή την περίπτωση, αφήστε την μπαταρία να ψυχθεί πριν τραβήξετε ξανά τη σκανδάλη διακόπτη.

Χαμηλή τάση μπαταρίας:

Η υπόλοιπη χωρητικότητα μπαταρίας είναι πολύ χαμηλή και το εργαλείο δεν λειτουργεί. Αν τραβήξετε τη σκανδάλη διακόπτη, το μοτέρ θα τεθεί ξανά σε λειτουργία αλλά θα σταματήσει σύντομα. Σε αυτή την περίπτωση, αφαιρέστε και επαναφορτίστε την μπαταρία.

Εμφάνιση υπολειπόμενης χωρητικότητας μπαταρίας

Μόνο για κασέτες μπαταριών «B» στο τέλος του αριθμού μοντέλου

► **Εικ.2:** 1. Ενδεικτικές λυχνίες 2. Κουμπί ελέγχου

Πιέστε το κουμπί ελέγχου στην κασέτα μπαταριών για να υποδείξετε την υπολειπόμενη χωρητικότητα μπαταρίας. Οι ενδεικτικές λυχνίες ανάβουν για λίγα δευτερόλεπτα.

Ενδεικτικές λυχνίες		Υπόλοιπη χωρητικότητα
Αναμμένες	Σβηστές	
		75% έως 100%
		50% έως 75%
		25% έως 50%
		0% έως 25%

ΠΑΡΑΤΗΡΗΣΗ: Ανάλογα με τις συνθήκες χρήσης και τη θερμοκρασία περιβάλλοντος, η ένδειξη μπορεί να διαφέρει λίγο από την πραγματική χωρητικότητα.

Δράση διακόπτη

⚠️ ΠΡΟΣΟΧΗ: Πριν τοποθετήσετε την κασέτα μπαταρίας στο εργαλείο, να ελέγχετε πάντα ότι ο μοχλό-διακόπτη/σκανδάλη-διακόπτη ενεργοποιείται κανονικά και επιστρέφει στη θέση «OFF» όταν την αφήνετε.

- **Εικ.3:** 1. Κομπτί κλειδώματος 2. Μοχλός κλειδώματος 3. Μοχλός-διακόπτης 4. Σκανδάλη-διακόπτης

Για να μην πατάτε το μοχλό-διακόπτη/σκανδάλη-διακόπτη κατά λάθος, παρέχεται ένας μοχλός κλειδώματος/κομπτί κλειδώματος.

Για να ξεκινήσετε το εργαλείο, πατήστε το μοχλό-διακόπτη ή τη σκανδάλη-διακόπτη.

- Για το μοχλό-διακόπτη, τραβήξτε το μοχλό κλειδώματος και μετά τραβήξτε το μοχλό-διακόπτη για να ξεκινήσετε τη λειτουργία του εργαλείου.
- Για τη σκανδάλη-διακόπτη, πατήστε το κομπτί κλειδώματος και μετά πατήστε τη σκανδάλη-διακόπτη για να ξεκινήσετε τη λειτουργία του εργαλείου. Μπορείτε να πατήσετε το κομπτί κλειδώματος από τα δεξιά ή τα αριστερά.

Η ταχύτητα του εργαλείου αυξάνεται όσο αυξάνετε την πίεση στο μοχλό-διακόπτη/σκανδάλη-διακόπτη. Αφήστε το μοχλό-διακόπτη/σκανδάλη-διακόπτη για να σταματήσει.

ΕΙΔΟΠΟΙΗΣΗ: Μην τραβάτε το μοχλό-διακόπτη/σκανδάλη-διακόπτη με δύναμη χωρίς να τραβήξετε το μοχλό κλειδώματος/να πατήσετε το κομπτί κλειδώματος. Μπορεί να σπάσει ο διακόπτης.

Αναμμα της μπροστινής λάμπας

⚠️ ΠΡΟΣΟΧΗ: Μην κοιτάζετε κατευθείαν μέσα στο φως ή στην πηγή φωτός.

- **Εικ.4:** 1. Λυχνία

Τραβήξτε το μοχλό-διακόπτη/σκανδάλη-διακόπτη για να ανάψετε τη λυχνία. Η λυχνία εξακολουθεί να είναι αναμμένη όσο τραβάτε το μοχλό-διακόπτη/σκανδάλη-διακόπτη.

Η λυχνία σβήνει περίπου 10 δευτερόλεπτα αφού αφήσετε το μοχλό-διακόπτη ή τη σκανδάλη-διακόπτη.

ΠΑΡΑΤΗΡΗΣΗ: Χρησιμοποιήστε ένα στεγνό πανί για να σκουπίσετε τη σκόνη από το φακό της λάμπας. Προσέχετε να μη γρατζουνίσετε το φακό της λάμπας, επειδή μπορεί να μειωθεί η ένταση του φωτισμού.

Ρύθμιση του πέλματος

- **Εικ.5:** 1. Εξαγωνικό κλειδί 2. Εξαγωνικό μπουλόνι 3. Ξεσφίξτε

Όταν μειωθεί η απόδοση κοπής της λάμας σε κάποιο σημείο κατά μήκος του άκρου κοπής της, τοποθετήστε ξανά το πέγμα ώστε να χρησιμοποιήσετε ένα κοφτερό, αχρησιμοποίητο τμήμα του άκρου κοπής. Έτσι επιμηκύνεται η διάρκεια λειτουργίας της λάμας.

Για να τοποθετήσετε ξανά το πέγμα, ξεσφίξτε το μπουλόνι με το εξαγωνικό κλειδί. Σύρετε το πέγμα στην επιθυμητή θέση και μετά σφίξτε καλά το μπουλόνι.

ΣΥΝΑΡΜΟΛΟΓΗΣΗ

⚠️ ΠΡΟΣΟΧΗ: Να βεβαιώνετε πάντα ότι το εργαλείο είναι σβηστό και η κασέτα μπαταρίας έχει αφαιρεθεί πριν εκτελέσετε κάποια εργασία στο εργαλείο.

Τοποθέτηση ή αφαίρεση της λάμας σπαθοσέγας/παλινδρομικού πριονιού

⚠️ ΠΡΟΣΟΧΗ: Να καθαρίζετε πάντα όλα τα θραύσματα και ξένα σώματα που έχουν προσκολληθεί στη λάμα, στο σφινγκτήρα λάμας ή/και στον κυλιόμενο οδηγό. Αν δεν το κάνετε αυτό, μπορεί να μην είναι αρκετά σφιγμένη η λάμα και να προκληθεί σοβαρός τραυματισμός.

Για το μοντέλο **JR103D**

- **Εικ.6:** 1. Λάμα σπαθοσέγας 2. Περιβλήμα σφινγκτήρα λάμας

Τοποθετήστε τη λάμα σπαθοσέγας μέσα στο σφινγκτήρα λάμας έως το τέρμα. Το περίβλημα σφινγκτήρα λάμας περιστρέφεται και στερεώνει τη λάμα σπαθοσέγας. Βεβαιωθείτε ότι η λάμα σπαθοσέγας δεν βγαίνει ακόμα κι όταν προσπαθείτε να την τραβήξετε για να βγει.

⚠️ ΠΡΟΣΟΧΗ: Εάν δεν τοποθετήσετε τη λάμα σπαθοσέγας αρκετά βαθιά, αυτή μπορεί να πεταχτεί απόρρομα κατά τη λειτουργία. Αυτό μπορεί να είναι εξαιρετικά επικίνδυνο.

ΠΑΡΑΤΗΡΗΣΗ: Απαγορεύεται να χρησιμοποιήσετε τη λάμα παλινδρομικού πριονιού με το JR103D.

- **Εικ.7:** 1. Λάμα σπαθοσέγας 2. Περιβλήμα σφινγκτήρα λάμας

Για να βγάλετε τη λάμα σπαθοσέγας, περιστρέψτε πλήρως το περίβλημα σφινγκτήρα λάμας προς την κατεύθυνση του βέλους. Η λάμα σπαθοσέγας θα βγει και το περίβλημα σφινγκτήρα λάμας θα στερεωθεί στην ελεύθερη θέση.

ΠΑΡΑΤΗΡΗΣΗ: Εάν βγάλετε τη λάμα σπαθοσέγας χωρίς να περιστρέψετε πλήρως το περίβλημα σφινγκτήρα λάμας, το περίβλημα δεν θα στερεωθεί. Στην περίπτωση αυτή, περιστρέψτε πλήρως το περίβλημα σφινγκτήρα λάμας και κατόπιν στερεώστε το περίβλημα στην ελεύθερη θέση.

Για το μοντέλο **JR105D**

- **Εικ.8:** 1. Εξαγωνικό κλειδί 2. Μπουλόνι 3. Ξεσφίξτε 4. Σφίξτε

- **Εικ.9:** 1. Λάμα σπαθοσέγας 2. Εξαγωνικό κλειδί 3. Οπή για λάμα σπαθοσέγας 4. Σφινγκτήρας λάμας

Για να τοποθετήσετε τη λάμα σπαθοσέγας/παλινδρομικού πριονιού, ξεσφίξτε το μπουλόνι με το εξαγωνικό κλειδί. Όταν τοποθετείτε μια λάμα σπαθοσέγας, πιέστε το μπουλόνι με το εξαγωνικό κλειδί για να ανοίξετε τη σχισμή κατά τη διάρκεια τοποθέτησης της λάμας.

► **Εικ.10:** 1. Λάμα σπαθοσέγας/παλινδρομικού πριονιού 2. Σφινγκτήρας λάμας 3. Οπή για λάμα σπαθοσέγας 4. Οπή για λάμα παλινδρομικού πριονιού

► Εικ.11

Μπορείτε να χρησιμοποιήσετε και τις δύο λάμες παλινδρομικού πριονιού (τύπος Β) και λάμες σπαθοσέγας ανάλογα με την εργασία σας. Τοποθετήστε τη λάμα σπαθοσέγας/παλινδρομικού πριονιού μέσα στο σφιγκτήρα λάμας και σφίξτε τη με ένα εξαγωνικό κλειδί. Τραβήξτε ελαφρά τη λάμα σπαθοσέγας/παλινδρομικού πριονιού για να βεβαιωθείτε ότι η λάμα σπαθοσέγας/παλινδρομικού πριονιού δεν θα πέσει κατά τη λειτουργία.

Για να αφαιρέσετε τη λάμα σπαθοσέγας/παλινδρομικού πριονιού, ακολουθήστε τη διαδικασία τοποθέτησης με αντίστροφη σειρά.

Φύλαξη εξαγωνικού κλειδιού

► Εικ.12: 1. Εξαγωνικό κλειδί 2. Προεσοχή

Όταν δεν χρησιμοποιείται, φυλάξτε το εξαγωνικό κλειδί όπως απεικονίζεται στην εικόνα, για να μην το χάσετε.

ΛΕΙΤΟΥΡΓΙΑ

▲ΠΡΟΣΟΧΗ: Κατά τη λειτουργία, να πιέζετε πάντα το πέλμα σταθερά επάνω στο τεμάχιο εργασίας. Αν, κατά τη λειτουργία, κρατάτε το πέλμα μακριά από το τεμάχιο εργασίας, παράγονται ισχυροί κραδασμοί ή/και δυνάμεις στρέψης που μπορεί να προκαλέσουν το επικίνδυνο σπάσιμο της λάμας.

▲ΠΡΟΣΟΧΗ: Όταν κόβετε μέταλλο, να φοράτε πάντα γάντια για να προστατεύετε τα χέρια σας από εκτοξευόμενα, ζεστά θραύσματα.

▲ΠΡΟΣΟΧΗ: Να φροντίζετε να φοράτε πάντα κατάλληλη προστασία ματιών που συμμορφώνεται με τα ισχύοντα εθνικά πρότυπα.

▲ΠΡΟΣΟΧΗ: Όταν κόβετε μέταλλο, να χρησιμοποιείτε πάντα ένα κατάλληλο ψυκτικό υγρό (λάδι κοπής). Αν δεν το κάνετε αυτό, θα προκληθεί πρόωρη φθορά της λάμας.

► Εικ.13

Να πιέζετε το πέλμα σταθερά επάνω στο τεμάχιο εργασίας. Μην αφήνετε το εργαλείο να αναπηδήσει. Φέρτε τη λάμα σπαθοσέγας ώστε να αγγίζει ελαφρά το τεμάχιο εργασίας. Πρώτα, κάντε ένα δοκιμαστικό αυλάκι χρησιμοποιώντας μικρή ταχύτητα. Κατόπιν, χρησιμοποιήστε μεγαλύτερη ταχύτητα για να συνεχίσετε την κοπή.

► Εικ.14

► Εικ.15

Μπορείτε να χρησιμοποιήσετε το μοχλό-διακόπτη ή τη σκανδάλη-διακόπτη ανάλογα με την εργασία σας.

ΠΑΡΑΤΗΡΗΣΗ: Αν το εργαλείο λειτουργεί συνεχόμενα έως ότου αποφορτιστεί η κασέτα μπαταρίας, αφήστε το εργαλείο σβηστό για 15 λεπτά πριν συνεχίσετε την εργασία με καινούρια μπαταρία.

ΣΥΝΤΗΡΗΣΗ

▲ΠΡΟΣΟΧΗ: Πριν την εκτέλεση εργασιών επιθεώρησης ή συντήρησης, πάντοτε να βεβαιώνετε ότι η συσκευή απενεργοποιήθηκε και η κασέτα μπαταριών έχει αφαιρεθεί.

ΕΙΔΟΠΟΙΗΣΗ: Μην χρησιμοποιείτε ποτέ βενζίνη, πετρελαϊκό αιθέρα, διαλυτικό, αλκοόλη ή παρόμοιες ουσίες. Μπορεί να προκληθεί αποχρωματισμός, παραμόρφωση ή ρωγμές.

Για τη διατήρηση της ΑΣΦΑΛΕΙΑΣ και ΑΞΙΟΠΙΣΤΙΑΣ του προϊόντος, οι επισκευές και οποιαδήποτε άλλη εργασία συντήρησης ή ρύθμισης πρέπει να εκτελούνται από εξουσιοδοτημένα ή εργοστασιακά κέντρα εξυπηρέτησης της Makita, χρησιμοποιώντας πάντοτε ανταλλακτικά της Makita.

ΠΡΟΑΙΡΕΤΙΚΑ ΕΞΑΡΤΗΜΑΤΑ

▲ΠΡΟΣΟΧΗ: Αυτά τα εξαρτήματα ή προσαρτήματα συνιστώνται για χρήση με το εργαλείο Makita που περιγράφηκε στις οδηγίες αυτές. Η χρήση οποιωνδήποτε άλλων εξαρτημάτων ή προσαρτημάτων μπορεί να προκαλέσει κίνδυνο τραυματισμού σε άτομα. Να χρησιμοποιείτε τα εξαρτήματα ή προσαρτήματα μόνο για την χρήση που προορίζονται.

Εάν χρειάζεστε οποιαδήποτε βοήθεια για περισσότερες πληροφορίες σε σχέση με αυτά τα εξαρτήματα, απαντήστε στο τοπικό σας κέντρο εξυπηρέτησης Makita.

- Λάμες σπαθοσέγας
- Λάμες παλινδρομικού πριονιού (μόνο για το μοντέλο JR105D)
- Γνήσια μπαταρία και φορτιστής της Makita

ΠΑΡΑΤΗΡΗΣΗ: Μερικά στοιχεία στη λίστα μπορεί να συμπεριλαμβάνονται στη συσκευασία εργαλείου ως στάνταρ εξαρτήματα. Μπορεί να διαφέρουν ανάλογα με τη χώρα.

TEKNİK ÖZELLİKLER

Model:	JR103D		JR105D	
Vuruş uzunluğu	13 mm			
Dakikada vuruş	0 - 3.300 min ⁻¹			
Maksimum kesme kapasiteleri	Boru	50 mm		
	Tahta	50 mm		
Anma voltajı	D.C. 10,8 V			
Batarya kartuşu	BL1015, BL1020B	BL1040B	BL1015, BL1020B	BL1040B
Toplam uzunluk	376 mm	386 mm	376 mm	386 mm
Net ağırlık	1,3 kg	1,5 kg	1,3 kg	1,5 kg

- Sürekli yapılan araştırma ve geliştirmelerden dolayı, burada belirtilen özellikler önceden bildirilmeksizin değiştirilebilir.
- Özellikler ve batarya kartuşu ülkeden ülkeye değişebilir.
- EPTA-Prosedürü 01/2003 uyarınca batarya kartuşu ile birlikte ağırlık

Kullanım amacı

Bu alet ahşap, plastik ve demir malzemeleri kesmek amacıyla kullanılır.

Gürültü

Tipik A-ağırlıklı gürültü düzeyi (EN60745 standardına göre belirlenen):

Model JR103D

Ses basınç seviyesi (L_{pA}): 78 dB (A)

Belirsizlik (K): 3 dB (A)

İşlem sırasında gürültü seviyesi 80 dB (A)'yi geçebilir.

Model JR105D

Ses basınç seviyesi (L_{pA}): 78 dB (A)

Belirsizlik (K): 3 dB (A)

İşlem sırasında gürültü seviyesi 80 dB (A)'yi geçebilir.

UYARI: Kulak koruyucuları takın.

Titreşim

Titreşim toplam değeri (üç eksenli vektör toplamı) (EN60745 standardına göre hesaplanan):

Model JR103D

Çalışma modu: tahtaları kesme

Titreşim emisyonu (a_{hB}): 8,0 m/s²

Belirsizlik (K): 1,5 m/s²

Çalışma modu: kalasları kesme

Titreşim emisyonu (a_{hWB}): 8,0 m/s²

Belirsizlik (K): 1,5 m/s²

Model JR105D

Çalışma modu: tahtaları kesme

Titreşim emisyonu (a_{hB}): 8,0 m/s²

Belirsizlik (K): 1,5 m/s²

Çalışma modu: kalasları kesme

Titreşim emisyonu (a_{hWB}): 8,0 m/s²

Belirsizlik (K): 1,5 m/s²

NOT: Beyan edilen titreşim emisyon değeri standart test yöntemine uygun şekilde ölçülmüştür ve bir aleti bir başkasıyla karşılaştırmak için kullanılabilir.

NOT: Beyan edilen titreşim emisyon değeri bir ön maruz kalma değerlendirmesi olarak da kullanılabilir.

UYARI: Bu elektrikli aletin gerçek kullanımı sırasındaki titreşim emisyonu aletin kullanım biçimlerine bağlı olarak beyan edilen emisyon değerinden farklı olabilir.

UYARI: Gerçek kullanım koşullarındaki maruz kalmanın bir tahmini hesaplaması temelinde operatörü koruyacak güvenlik önlemlerini mutlaka belirleyin (çalışma döngüsü içerisinde aletin kapalı olduğu ve aktif durumda olmasının yanı sıra boşta çalıştığı zamanlar gibi, bütün zaman dilimleri göz önünde bulundurularak değerlendirilmelidir).

EC Uygunluk Beyanı

Sadece Avrupa ülkeleri için

Biz Makita Corporation beyan ederiz ki aşağıdaki makine(ler):

Makine Adı: Akülü Kılıç Testere

Model No./ Tipi: JR103D, JR105D

aşağıdaki Avrupa Direktiflerine uygundur:

2006/42/EC

Aşağıdaki standartlara veya standartlaştırılmış belgelere uygun olarak imal edilmişlerdir: EN60745

2006/42/EC uyumluluğuna ilişkin teknik dosyaya şuradan ulaşılabilir:

Makita, Jan-Baptist Vinkstraat 2, 3070, Belçika
24.2.2015

Yasushi Fukaya

Yasushi Fukaya

Müdür

Makita, Jan-Baptist Vinkstraat 2, 3070, Belçika

Genel elektrikli alet güvenliği uyarıları

⚠UYARI: Tüm güvenlik uyarılarını ve tüm talimatları okuyun. Uyarılara ve talimatlara uyulmaması elektrik şoku, yangın ve/veya ciddi yaralanmalar ile sonuçlanabilir.

Tüm uyarıları ve talimatları ile-ride başvurmak için saklayın.

Uyarılardaki "elektrikli alet" terimi ile ya prizden çalışan (kordonlu) elektrikli aletinize ya da kendi aküsü ile çalışan (kordsuz) elektrikli aletinize kastedilmektedir.

Akülü kılıç testere güvenlik uyarıları

- Kesici aksesuarın görünmeyen kablolarla temas etme olasılığı bulunan yerlerde çalışırken elektrikli aleti sadece yalıtımlı kavrama yüzeyinden tutun.** Kesici aksesuarın "akımlı" bir telle temas etmesi elektrikli aletin yalıtımsız metal kısımlarını "akımlı" hale getirebilir ve kullanıcıyı elektrik şokuna maruz bırakabilir.
- İş parçasını sabit bir platforma bağlamak ve desteklemek için mengene veya başka bir pratik yol kullanın.** İş parçasını elle veya vücudunuza dayayarak tutma onu dengesiz bırakır ve kontrol kaybına yol açabilir.
- Daima koruyucu gözlükler kullanın.** Normal gözlükler veya güneş gözlükleri koruyucu gözlük DEĞİLDİR.
- Çivi kesmekten kaçının.** İşleme başlamadan önce iş parçasını kontrol edip çivi varsa çıkarın.
- Çok büyük parçaları kesmeyin.**
- Kesmeye başlamadan önce iş parçasının gerisinde bıçağın zemine, çalışma tezgahına, vs. çarpmaması için yeterli boşluk bulunduğundan emin olun.**
- Aleti sıkıca tutun.**
- Anahtarı açmadan önce bıçağın iş parçasına değmediğinden emin olun.**
- Ellerinizi hareketli parçalardan uzak tutun.**
- Aleti çalışır durumda bırakmayın.** Aleti sadece elinizde iken çalıştırın.
- Aleti iş parçasından çıkarmadan önce daima anahtarı kapatın ve bıçağın tamamen durmasını bekleyin.**
- Çalıştıktan hemen sonra bıçağa ya da iş parçasına dokunmayın; çok sıcak olabilir ve cildinizi yakabilirler.**
- Bu aleti gereksiz yere yüksüz çalıştırmayın.**
- Daima çalıştığınız malzeme ve yaptığınız işe uygun maske/respiratör kullanın.**
- Bazı malzemeler zehirli olabilen kimyasallar içerirler. Toz yutmayı ve cilt temasını önlemek için tedbir alın.** Malzeme sağlayıcısının güvenlik bilgilerine uyun.

BU TALİMATLARI SAKLAYIN.

⚠UYARI: Ürünü kullanırken (defalarca kullanınca kazanılan) rahatlık ve tanıdıklık duygusunu ilgili ürünün güvenlik kurallarına sıkı sıkıya bağlı kalmanın yerine geçmesine İZİN VERMEYİN. YANLIŞ KULLANIM veya bu kullanma kılavuzunda belirtilen emniyet kurallarına uymama ciddi yaralanmaya neden olabilir.

Batarya kartuşu hakkında önemli güvenlik talimatları

- Batarya kartuşunu kullanmadan önce, tüm talimatları ve (1) batarya kartuşu, (2) batarya ve (3) ürün üzerindeki tüm uyarı işaretlerini okuyun.**
- Batarya kartuşunu demonte etmeyin.**
- Çalışma süresi aşırı derecede kısalırsa kullanmayı derhal bırakın.** Aşırı ısınma, yanma riski hatta patlamaya neden olabilir.
- Gözünüze elektrolit kaçarsa, gözlerinizi temiz suyla durulayın ve hemen tıbbi yardım alın.** Görme kaybına yol açabilir.
- Batarya kartuşuna kısa devre yaptırmayın:**
 - Terminallere herhangi bir iletken madde deşirdirmeyin.
 - Batarya kartuşunu çiviler, madeni paralar, vb. gibi başka metal nesnelere aynı kaba koymaktan kaçının.
 - Batarya kartuşunu yağmura ya da suya maruz bırakmayın.Kısa devre, büyük bir akım akışına, aşırı ısınmaya, olası yanıklara hatta bataryanın bozulmasına yol açabilir.
- Aleti ve batarya kartuşunu sıcaklığın 50°C ya da daha yükseğe ulaştığı yerlerde saklamayın.**
- Aşırı derecede hasar görmüş ya da tamamen kullanılamaz durumda olsa bile batarya kartuşunu yakmayın.** Batarya kartuşu ateşe atılırsa patlayabilir.
- Bataryayı düşürmemeye ve çarpmamaya dikkat edin.**
- Hasarlı bataryayı kullanmayın.**
- Bataryanın elden çıkarılması ile ilgili yerel düzenlemelere uyunuz.**

BU TALİMATLARI MUHAFAZA EDİNİZ.

Maksimum batarya ömrü için ipuçları

- Batarya kartuşunu tamamen boşalmadan önce şarj edin.** Aletin gücünün zayıflamaya başladığını fark ettiğinizde aleti durdurun ve batarya kartuşunu şarj edin.
- Tam dolu bir batarya kartuşunu asla yeniden şarj etmeyin.** Aşırı şarj etme bataryanın hizmet ömrünü kısaltır.
- Batarya kartuşunu 10°C - 40°C oda sıcaklığında şarj edin.** Sıcak bir batarya kartuşunu şarj etmeden önce soğumasını bekleyin.

İŞLEVSEL NİTELİKLER

⚠️ DİKKAT: Alet üzerinde ayarlama veya işleyiş kontrolü yapmadan önce aletin kapalı ve batarya kartuşunun ayrılmış olduğundan daima emin olun.

Batarya kartuşunun takılması ve çıkarılması

⚠️ DİKKAT: Batarya kartuşunu takmadan ya da çıkarmadan önce aleti daima kapatın.

⚠️ DİKKAT: Batarya kartuşunu takarken veya çıkarırken aleti ve batarya kartuşunu sıkıca tutun. Aletin ve batarya kartuşunun sıkıca tutulmaması bunların düşürülmesine sebep olabilir ve alet ve batarya kartuşunun zarar görmesine ya da ciddi yaralanmasına yol açabilir.

► **Şek.1:** 1. Kırmızı gösterge 2. Düğme
3. Batarya kartuşu

Batarya kartuşunu çıkarmak için, kartuşun ön tarafındaki düğmeyi kaydırarak kartuşu aletten çıkarın. Batarya kartuşunu takmak için, batarya kartuşu üzerindeki dili yuvanın çentiği ile hizalayın ve yerine oturtun. Hafif bir tık sesi duyulana kadar itip yerine tam oturtmasını sağlayın. Düğmenin üst tarafındaki kırmızı gösterge görünüyorsa tam yerine kilitlenmemiş demektir.

⚠️ DİKKAT: Batarya kartuşunu daima kırmızı gösterge görünmeyecek şekilde tam olarak takın. Yerine tam oturmazsa, aletten yanlışlıkla düşebilir, sizin ya da çevrenizdeki kişilerin yaralanmasına neden olabilir.

⚠️ DİKKAT: Batarya kartuşunu zorlayarak takmayın. Kartuş kolay bir şekilde kaymıyorsa doğru yerleştirilmemiş demektir.

Batarya koruma sistemi

Bu alet bir batarya koruma sistemi ile donatılmıştır. Bu sistem motora giden gücü otomatik olarak keserek uzun batarya ömrü sağlar.

Alet ve/veya batarya için aşağıdaki durumlardan biri söz konusu olduğunda aletin işleyişi otomatik olarak durur:

Aşırı yüklenme:
Alet, anormal derecede yüksek akım çekmesine neden olacak şekilde kullanılmaktadır.

Bu durumda, aletin üzerindeki anahtar tetiği serbest bırakın ve aletin aşırı yüklenmesine neden olan uygulamayı durdurun. Ardından anahtar tetiği tekrar çekerek çalışmayı yeniden başlatın.

Alet çalışmaya başlamazsa, batarya aşırı ısınmış demektir. Bu durumda, anahtar tetiği tekrar çekmeden önce bataryanın soğumasını bekleyin.

Düşük batarya voltajı:

Kalan batarya kapasitesi çok düşüktür ve alet çalışmaz. Anahtar tetiği çekerseniz, motor tekrar çalışır fakat kısa zaman sonra durur. Bu durum söz konusuysa, bataryayı çıkarıp şarj edin.

Kalan batarya kapasitesinin gösterilmesi

Sadece model numarasının sonunda "B" yazan batarya kartuşları için

► **Şek.2:** 1. Gösterge lambaları 2. Kontrol düğmesi

Kalan batarya kapasitesini göstermesi için batarya kartuşu üzerindeki kontrol düğmesine basın. Gösterge lambaları birkaç saniye yanar.

Gösterge lambaları		Kalan kapasite
Yanıyor	Kapalı	
		%75 ila %100
		%50 ila %75
		%25 ila %50
		%0 ila %25

NOT: Kullanım koşullarına ve ortam sıcaklığına bağlı olarak, gösterilen değer gerçek kapasiteden biraz farklılık gösterebilir.

Anahtar işlemi

⚠️ DİKKAT: Batarya kartuşunu alete takmadan önce, anahtar kolunun/tetiğinin düzgün çalıştığından ve bırakıldığında zaman "OFF" pozisyonuna döndüğünden emin olun.

► **Şek.3:** 1. Güvenlik kilidi düğmesi 2. Güvenlik kilidi kolu 3. Anahtar kolu 4. Anahtar tetik

Anahtar kolunun/tetiğinin kazayla çekilmesini önlemek için, güvenlik kilidi kolu/düğmesi sağlanmıştır.

Aleti çalıştırmak için, anahtar kolunu ya da tetiği çekin.

- Anahtar kolu için, güvenlik kilidi kolunu çekin ve ardından aleti çalıştırmak için anahtar kolunu çekin.
- Anahtar tetik için, güvenlik kilidi düğmesine basın ve ardından aleti çalıştırmak için anahtar tetiği çekin. Güvenlik kilidi düğmesine sağdan da soldan da basılabilir.

Aletin hızı, anahtar kolu/tetik üzerindeki basınç fazlalaştırılarak artırılır. Durdurmak için anahtar kolunu/tetiği bırakın.

ÖNEMLİ NOT: Anahtar kolunu/tetiği güvenlik kilidi kolunu çekmeden ya da güvenlik kilidi düğmesine basmadan sert bir şekilde çekmeyin. Bu anahtarın kırılmasına neden olabilir.

Ön lambanın yakılması

⚠️ DİKKAT: Işığa bakmayın ya da ışık kaynağını doğrudan görmeyin.

► **Şek.4:** 1. Lamba

Lambayı yakmak için anahtar kolunu/tetiği çekin. Anahtar kolu/tetik çekilirken lamba yanmaya devam eder.

Anahtar kolu/tetik bırakıldıktan yaklaşık 10 saniye sonra lamba söner.

NOT: Lamba lensini temizlemek için kuru bir bez kullanın. Aydınlatmayı azaltacağı için lamba lensinin çizilmemesine dikkat edin.

Pabucun ayarlanması

► **Şek.5:** 1. Altıgen anahtar 2. Altıgen civata
3. Gevşetin

Bıçak kesici kenarının bir yerinde kesme verimliliğini kaybettiği zaman, pabucun konumunu bu kesici kenarın kullanılmamış keskin bir bölümünü kullanacak şekilde değiştirin. Bu bıçağın daha uzun süre kullanılmasına yardımcı olur.

Pabucu yeniden konumlandırmak için, civatayı altıgen anahtarla gevşetin. Pabucu istenen konuma kaydırın ve ardından civatayı iyice sıkılayın.

MONTAJ

⚠ DİKKAT: Alet üzerinde herhangi bir iş yapmadan önce aletin kapalı ve batarya kartuşunun ayrılmış olduğundan daima emin olun.

Kılıç testere/dekupaj testeresi bıçağının takılması ve sökülmesi

⚠ DİKKAT: Her zaman bıçağa, bıçak kelepçesine ve/veya sürgüye yapışmış yabancı maddeleri temizleyin. Böyle yapılmaması bıçağın gevşek kalmasına neden olarak, ciddi bir yaralanmaya yol açabilir.

JR103D modeli için

► **Şek.6:** 1. Kılıç testere bıçağı 2. Bıçak kısaç manşonu

Kılıç testere bıçağını bıçak kıskaçının içine sonuna kadar geçirin. Bıçak kısaç manşonu döner ve kılıç testere bıçağı sabitlenir. Kılıç testere bıçağını dışarı çekmeye çalışsanız bile çıkarılamayacağından emin olun.

⚠ DİKKAT: Kılıç testere bıçağını yeterince derine sokamazsanız, kılıç testere bıçağı çalışırken beklenmedik bir şekilde yerinden fırlayabilir. Bu son derecede tehlikeli olabilir.

NOT: Dekupaj testeresi bıçağını JR103D ile kullanamazsınız.

► **Şek.7:** 1. Kılıç testere bıçağı 2. Bıçak kısaç manşonu

Kılıç testere bıçağını çıkarmak için, bıçak kısaç manşonunu ok yönünde sonuna kadar döndürün. Kılıç testere bıçağı çıkar ve bıçak kısaç manşonu serbest konumda sabitlenir.

NOT: Eğer kılıç testere bıçağını bıçak kısaç manşonunu sonuna kadar döndürmeden çıkarırsanız, manşon serbest konumda kilitlenmeyebilir. Bu durumda, bıçak kısaç manşonunu tekrar sonuna kadar döndürdükten sonra, manşonun serbest konumda kilitlendiğinden emin olun.

JR105D modeli için

► **Şek.8:** 1. Altıgen anahtar 2. Civata 3. Gevşetin
4. Sıkılayın

► **Şek.9:** 1. Kılıç testere bıçağı 2. Altıgen anahtar
3. Kılıç testere bıçağı deliği 4. Bıçak kıskaçı

Kılıç testereyi/dekupaj testeresi bıçağını takmak için, civatayı altıgen anahtarla gevşetin. Bir kılıç testere bıçağını takarken, civataya altıgen anahtarla bastırarak bıçağın takılması sırasında yuvanın açılmasını sağlayın.

► **Şek.10:** 1. Kılıç testere/dekupaj testeresi bıçağı
2. Bıçak kıskaçı 3. Kılıç testere bıçağı deliği
4. Dekupaj testeresi bıçağı deliği

► **Şek.11**

Yaptığınız işe göre, hem dekupaj testeresi bıçağını (B tipi) hem de kılıç testere bıçağını kullanabilirsiniz. Kılıç testere/dekupaj testeresi bıçağını bıçak kıskaçının içine sonuna kadar geçirin ve altıgen anahtarla sıkılayın. Çalışma sırasında kılıç testere/dekupaj testeresi bıçağının düşmeyeceğinden emin olmak için kılıç testere/dekupaj testeresi bıçağını hafifçe çekin. Kılıç testere/dekupaj testeresi bıçağını çıkarmak için, takma işleminin tersini uygulayın.

Altıgen anahtarın saklanması

► **Şek.12:** 1. Altıgen anahtar 2. Çıkıntı

Kullanılmadığı zamanlarda, altıgen anahtarın kaybolmasını önlemek için anahtarı şekilde gösterildiği gibi saklayın.

KULLANIM

⚠ DİKKAT: İşlem sırasında her zaman, pabuca sağlamca iş parçasına doğru bastırın. İşlem sırasında pabuç iş parçasından uzak tutulursa, güçlü titreşim ve/veya dönme oluşup, bıçağın tehlikeli bir şekilde kırılmasına sebep olabilir.

⚠ DİKKAT: Metal keserken sıcak uçuşan parçalardan korunmak için, her zaman eldiven kullanın.

⚠ DİKKAT: Yürürlükteki ulusal standartlara uygun bir göz korumasını her zaman kullandığınızdan emin olun.

⚠ DİKKAT: Metal keserken her zaman uygun bir soğutucu (kesme yağı) kullanın. Böyle yapmamak, bıçağın erken yıpranmasına sebep olur.

► **Şek.13**

Pabuca sağlamca iş parçasına doğru bastırın. Aletin geri tepmesine izin vermeyin. Kılıç testere bıçağını iş parçası ile hafifçe temas ettirin. Önce düşük hızda bir deneme çentigi açın. Sonra kesmeye devam etmek için daha yüksek bir hız kullanın.

► **Şek.14**

► Şek.15

Yaptığınız işe göre, anahtar kolunu ya da tetiği kullanabilirsiniz.

NOT: Alet, batarya kartuşunun şarjı bitene kadar sürekli olarak kullanılmışsa, yeni bir batarya takıp devam etmeden önce aleti 15 dakika dinlendirin.

BAKIM

⚠DİKKAT: Muayene ya da bakım yapmadan önce aletin kapalı ve batarya kartuşunun çıkartılmış olduğundan daima emin olun.

ÖNEMLİ NOT: Benzin, tiner, alkol ve benzeri maddeleri kesinlikle kullanmayın. Renk değişimi, deformasyon veya çatlaklar oluşabilir.

Aleti EMNİYETLİ ve ÇALIŞMAYA HAZIR durumda tutmak için onarımlar, başka her türlü bakım ve ayarlamalar daima Makita yedek parçaları kullanılarak Makita yetkili servis merkezleri veya Fabrikanın Servis Merkezleri tarafından yapılmalıdır.

İSTEĞE BAĞLI AKSESUARLAR

⚠DİKKAT: Bu aksesuarlar ve ek parçalar bu el kitabında belirtilen Makita aletiniz ile kullanılmak için tavsiye edilmektedir. Herhangi başka bir aksesuar ya da ek parça kullanılması insanlar için bir yaralanma riski getirebilir. Aksesuarları ya da ek parçaları yalnızca belirtilmiş olan kullanım amaçlarına uygun olarak kullanın.

Bu aksesuarlarla ilgili daha fazla bilgiye ihtiyaç duyar-sanız bulunduğunuz yerdeki yetkili Makita servisine başvurun.

- Kılıç testere bıçağı
- Dekupaj testeresi bıçakları (sadece JR105D modeli için)
- Orijinal Makita batarya ve şarj aleti

NOT: Listedeki parçaların bazıları alet paketi içerisinde standart aksesuar olarak dahil edilmiş olabilir. Bunlar ülkeden ülkeye farklılık gösterebilir.

Makita Jan-Baptist Vinkstraat 2, 3070, Belgium
Makita Corporation Anjo, Aichi, Japan

www.makita.com

885441-996

EN, FR, DE, IT,
NL, ES, PT, DA,
EL, TR
20150527