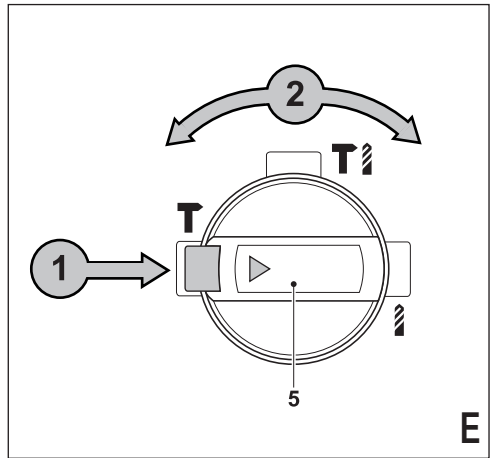
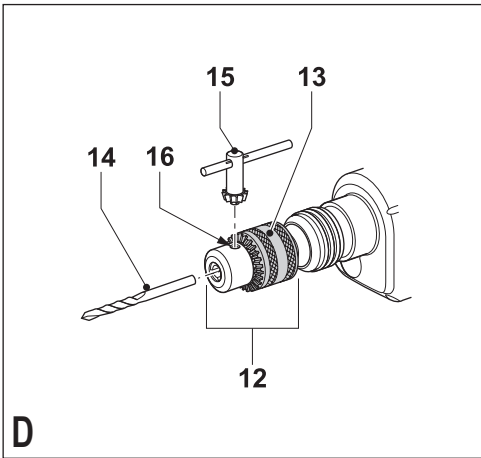
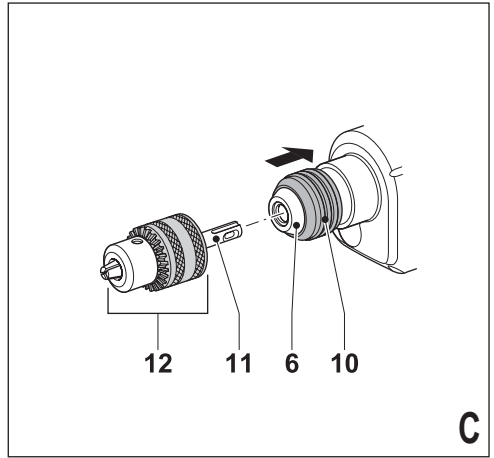
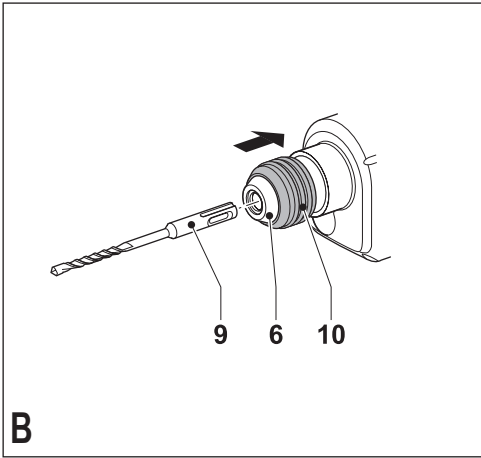
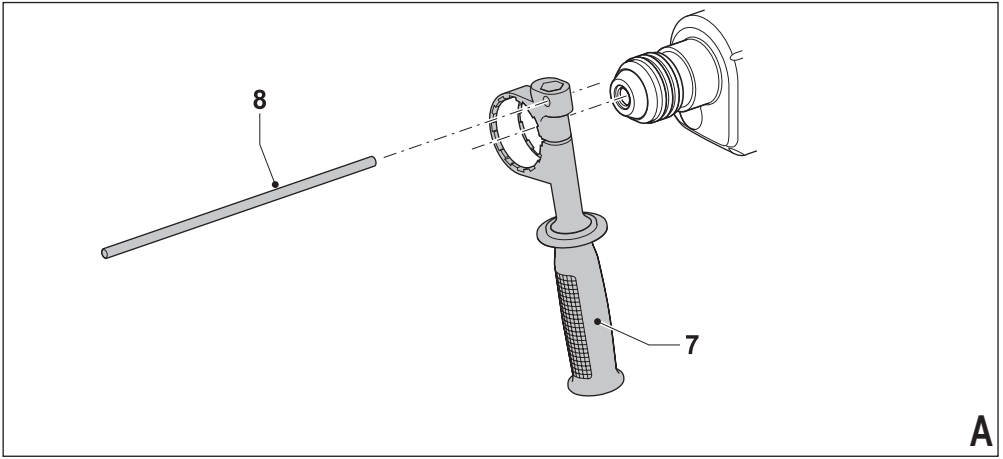


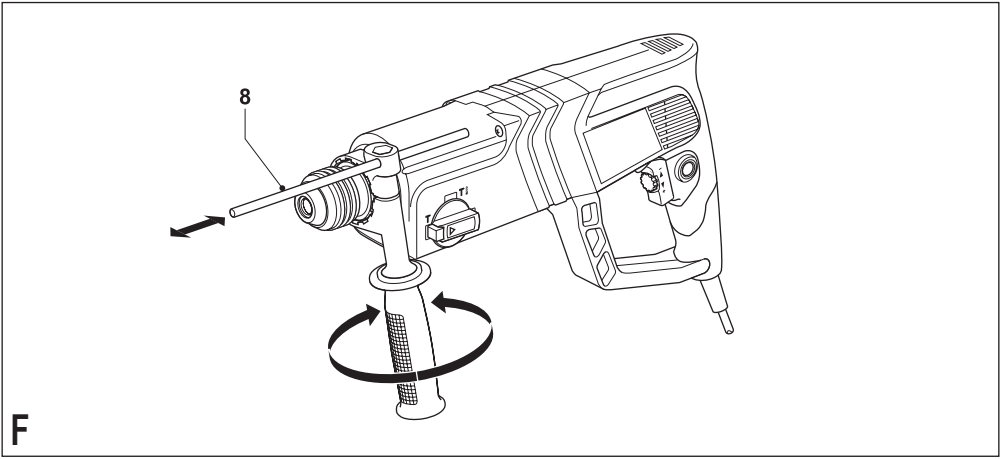
www.blackanddecker.eu

KD975
KD985
KD990



| | | |
|-------------------|---|-----------|
| English | (Original instructions) | 5 |
| Deutsch | (Übersetzung der Originalanleitung) | 10 |
| Français | (Traduction des instructions d'origine) | 16 |
| Italiano | (Traduzione delle istruzioni originali) | 22 |
| Nederlands | (Vertaling van de originele instructies) | 28 |
| Español | (Traducción de las instrucciones originales) | 34 |
| Português | (Tradução das instruções originais) | 40 |
| Svenska | (Översättning av de ursprungliga anvisningarna) | 46 |
| Norsk | (Oversettelse av de opprinnelige instruksjonene) | 51 |
| Dansk | (Oversættelse af de originale instruktioner) | 56 |
| Suomi | (Alkuperäisten ohjeiden käännös) | 61 |
| Ελληνικά | (Μετάφραση των αρχικών οδηγιών) | 67 |





Intended use

Your Black & Decker rotary hammer drill has been designed for drilling in wood, metal, plastics, and masonry as well as for screwdriving and light chiselling applications. This tool is intended for consumer use only.

Safety instructions

General power tool safety warnings



Warning! Read all safety warnings and all instructions. Failure to follow the warnings and instructions listed below may result in electric shock, fire and/or serious injury.

Save all warnings and instructions for future reference.

The term "power tool" in all of the warnings listed below refers to your mains operated (corded) power tool or battery operated (cordless) power tool.

1. **Work area safety**
 - a. **Keep work area clean and well lit.** Cluttered or dark areas invite accidents.
 - b. **Do not operate power tools in explosive atmospheres, such as in the presence of flammable liquids, gases or dust.** Power tools create sparks which may ignite the dust or fumes.
 - c. **Keep children and bystanders away while operating a power tool.** Distractions can cause you to lose control.
2. **Electrical safety**
 - a. **Power tool plugs must match the outlet. Never modify the plug in any way. Do not use any adapter plugs with earthed (grounded) power tools.** Unmodified plugs and matching outlets will reduce risk of electric shock.
 - b. **Avoid body contact with earthed or grounded surfaces such as pipes, radiators, ranges and refrigerators.** There is an increased risk of electric shock if your body is earthed or grounded.
 - c. **Do not expose power tools to rain or wet conditions.** Water entering a power tool will increase the risk of electric shock.
 - d. **Do not abuse the cord. Never use the cord for carrying, pulling or unplugging the power tool. Keep cord away from heat, oil, sharp edges or moving parts.** Damaged or entangled cords increase the risk of electric shock.
 - e. **When operating a power tool outdoors, use an extension cord suitable for outdoor use.** Use of a cord suitable for outdoor use reduces the risk of electric shock.
 - f. **If operating a power tool in a damp location is unavoidable, use a residual current device (RCD) protected supply.** Use of an RCD reduces the risk of electric shock.
3. **Personal safety**
 - a. **Stay alert, watch what you are doing and use common sense when operating a power tool. Do not use a power tool while you are tired or under the influence of drugs, alcohol or medication.** A moment of inattention while operating power tools may result in serious personal injury.
 - b. **Use personal protective equipment. Always wear eye protection.** Protective equipment such as dust mask, non-skid safety shoes, hard hat, or hearing protection used for appropriate conditions will reduce personal injuries.
 - c. **Prevent unintentional starting. Ensure the switch is in the off-position before connecting to power source and/or battery pack, picking up or carrying the tool.** Carrying power tools with your finger on the switch or energising power tools that have the switch on invites accidents.
 - d. **Remove any adjusting key or wrench before turning the power tool on.** A wrench or a key left attached to a rotating part of the power tool may result in personal injury.
 - e. **Do not overreach. Keep proper footing and balance at all times.** This enables better control of the power tool in unexpected situations.
 - f. **Dress properly. Do not wear loose clothing or jewellery. Keep your hair, clothing and gloves away from moving parts.** Loose clothes, jewellery or long hair can be caught in moving parts.
 - g. **If devices are provided for the connection of dust extraction and collection facilities, ensure these are connected and properly used.** Use of dust collection can reduce dust-related hazards.
4. **Power tool use and care**
 - a. **Do not force the power tool. Use the correct power tool for your application.** The correct power tool will do the job better and safer at the rate for which it was designed.
 - b. **Do not use the power tool if the switch does not turn it on and off.** Any power tool that cannot be controlled with the switch is dangerous and must be repaired.
 - c. **Disconnect the plug from the power source and/or the battery pack from the power tool before making any adjustments, changing accessories, or storing power tools.** Such preventive safety measures reduce the risk of starting the power tool accidentally.
 - d. **Store idle power tools out of the reach of children and do not allow persons unfamiliar with the power tool or these instructions to operate the power tool.** Power tools are dangerous in the hands of untrained users.
 - e. **Maintain power tools. Check for misalignment or binding of moving parts, breakage of parts and any other condition that may affect the power tools operation. If damaged, have the power tool repaired before use.** Many accidents are caused by poorly maintained power tools.

- f. **Keep cutting tools sharp and clean.** Properly maintained cutting tools with sharp cutting edges are less likely to bind and are easier to control.
 - g. **Use the power tool, accessories and tool bits etc. in accordance with these instructions, taking into account the working conditions and the work to be performed.** Use of the power tool for operations different from those intended could result in a hazardous situation.
5. **Service**
- a. **Have your power tool serviced by a qualified repair person using only identical replacement parts.** This will ensure that the safety of the power tool is maintained.

Additional power tool safety warnings



Warning! Additional safety warnings for rotary and chiselling hammers

- ◆ **Wear ear protectors.** Exposure to noise can cause hearing loss.
- ◆ **Use auxiliary handles supplied with the tool.** Loss of control can cause personal injury.
- ◆ **Hold power tool by insulated gripping surfaces when performing an operation where the cutting accessory may contact hidden wiring or its own cord.** Cutting accessory contacting a "live" wire may make exposed metal parts of the power tool "live" and shock the operator.
- ◆ Never use a chisel accessory in rotary mode. The accessory will bind in the material and rotate the drill.
- ◆ Use clamps or another practical way to secure and support the workpiece to a stable platform. Holding the work by hand or against your body leaves it unstable and may lead to loss of control.
- ◆ Before drilling into walls, floors or ceilings, check for the location of wiring and pipes.
- ◆ Avoid touching the tip of a drill bit just after drilling, as it may be hot.
- ◆ The intended use is described in this instruction manual. The use of any accessory or attachment or performance of any operation with this tool other than those recommended in this instruction manual may present a risk of personal injury and/or damage to property.

Safety of others

- ◆ This appliance is not intended for use by persons (including children) with reduced physical, sensory or mental capabilities, or lack of experience and knowledge, unless they have been given supervision or instruction concerning use of the appliance by a person responsible for their safety.
- ◆ Children should be supervised to ensure that they do not play with the appliance.

Vibration

The declared vibration emission values stated in the technical data and the declaration of conformity have been measured in accordance with a standard test method provided by EN 60745 and may be used for comparing one tool with another. The declared vibration emission value may also be used in a preliminary assessment of exposure.

Warning! The vibration emission value during actual use of the power tool can differ from the declared value depending on the ways in which the tool is used. The vibration level may increase above the level stated.

When assessing vibration exposure to determine safety measures required by 2002/44/EC to protect persons regularly using power tools in employment, an estimation of vibration exposure should consider, the actual conditions of use and the way the tool is used, including taking account of all parts of the operating cycle such as the times when the tool is switched off and when it is running idle in addition to the trigger time.

Labels on tool

The following pictograms are shown on the tool:



Warning! To reduce the risk of injury, the user must read the instruction manual.

Electrical safety



This tool is double insulated; therefore no earth wire is required. Always check that the power supply corresponds to the voltage on the rating plate.

- ◆ If the supply cord is damaged, it must be replaced by the manufacturer or an authorised Black & Decker Service Centre in order to avoid a hazard.

Features

This tool includes some or all of the following features.

1. Variable speed switch
2. Lock-on button
3. Forward/reverse switch
4. Variable speed control knob
5. Drilling mode selector
6. Tool holder
7. Side handle
8. Depth stop

Assembly

Warning! Before assembly, make sure that the tool is switched off and unplugged.

Fitting the side handle and depth stop (fig. A)

- ◆ Turn the grip counterclockwise until you can slide the side handle (7) onto the front of the tool as shown.
- ◆ Rotate the side handle into the desired position.
- ◆ Insert the depth stop (8) into the mounting hole as shown.
- ◆ Set the depth stop to the desired position. The maximum drilling depth is equal to the distance between the tip of the drill bit and the front end of the depth stop.
- ◆ Tighten the side handle by turning the grip clockwise.

Fitting an accessory (fig. B)

- ◆ Clean and grease the shank (9) of the accessory.
- ◆ Pull back the sleeve (10) and insert the shank into the tool holder (6).
- ◆ Push the accessory down and turn it slightly until it fits into the slots.
- ◆ Pull on the accessory to check if it is properly locked. The hammering function requires the accessory to be able to move axially several centimetres when locked in the tool holder.
- ◆ To remove the accessory, pull back the sleeve (10) and pull out the accessory.

KD985/KD990 - Fitting the keyed chuck (fig. C)

- ◆ Fit the shank (11) of the supplied chuck (12) into the tool holder as described above.

Warning! Never use keyed chucks in the hammer drilling mode.

KD985/KD990 - Fitting accessories in the keyed chuck (fig. D)

- ◆ Open the chuck by turning the sleeve (13).
- ◆ Insert the bit shaft (14) into the chuck.
- ◆ Insert the chuck key (15) into each hole (16) in the side of the chuck and turn until tight.

Residual risks.

Additional residual risks may arise when using the tool which may not be included in the enclosed safety warnings. These risks can arise from misuse, prolonged use etc.

Even with the application of the relevant safety regulations and the implementation of safety devices, certain residual risks can not be avoided. These include:

- ◆ **Injuries caused by touching any rotating/moving parts.**
- ◆ **Injuries caused when changing any parts, blades or accessories.**
- ◆ **Injuries caused by prolonged use of a tool. When using any tool for prolonged periods ensure you take regular breaks.**
- ◆ **Impairment of hearing.**
- ◆ **Health hazards caused by breathing dust developed when using your tool (example:- working with wood, especially oak, beech and MDF.)**

Use

Warning! Let the tool work at its own pace. Do not overload.

Warning! Before drilling into walls, floors or ceilings, check for the location of wiring and pipes.

Selecting the operating mode (fig. E)

The tool can be used in three operating modes. Rotate the drilling mode selector (5) towards the required position, as indicated by the symbols.

Drilling

- ◆ For drilling in steel, wood and plastics, and for screwdriving set the operating mode selector (5) to the **D** position.
- ◆ When screwdriving, start at a low speed. When removing screws, the speed is automatically reduced.

Hammer drilling

- ◆ For hammer drilling in masonry and concrete, set the operating mode selector (5) to the **T** position
- ◆ When hammering, the tool should not bounce and run smoothly. If necessary, increase the speed.

Hammering

- ◆ For hammering with spindle lock, and for light chiselling and chipping, set the operating mode selector (5) to the **T** position.
- ◆ Make sure the forward/reverse switch is in the forward position.
- ◆ When changing from hammer drilling to chiselling, turn the chisel to the desired position. If resistance is felt during mode change, slightly turn the chisel to engage the spindle lock.

Selecting the direction of rotation

For drilling, for tightening screws and for chiselling, use forward (clockwise) rotation. For loosening screws or removing a jammed drill bit, use reverse (counterclockwise) rotation.

- ◆ To select forward rotation, push the forward/reverse slider (3) to the left.
- ◆ To select reverse rotation, push the forward/reverse slider to the right.

Warning! Never change the direction of rotation while the motor is running.

Setting the drilling depth (fig. F)

- ◆ Slacken the side handle (7) by turning the grip counterclockwise.
- ◆ Set the depth stop (8) to the desired position. The maximum drilling depth is equal to the distance between the tip of the drill bit and the front end of the depth stop.

- ◆ Tighten the side handle by turning the grip clockwise.

Switching on and off

- ◆ To switch the tool on, press the variable speed switch (1). The tool speed depends on how far you press the switch. Set the variable speed control knob (4) to the required speed range.
- ◆ Use speeds 1-6 for short periods only.
- ◆ As a general rule, use low speeds for large diameter drill bits and high speeds for smaller diameter drill bits.
- ◆ For continuous operation, press the lock-on button (2) and release the variable speed switch. This option is available only in forward (clockwise) rotation.
- ◆ To switch the tool off, release the variable speed switch. To switch the tool off when in continuous operation, press the variable speed switch once more and release it.

Accessories

The performance of your tool depends on the accessory used. Black & Decker and Piranha accessories are engineered to high quality standards and designed to enhance the performance of your tool. By using these accessories you will get the very best from your tool.

Maintenance

Your Black & Decker corded/cordless appliance/tool has been designed to operate over a long period of time with a minimum of maintenance. Continuous satisfactory operation depends upon proper tool care and regular cleaning.

Warning! Before performing any maintenance on corded/cordless power tools:

- ◆ Switch off and unplug the appliance/tool.
- ◆ Or switch off and remove the battery from the appliance/tool if the appliance/tool has a separate battery pack.
- ◆ Or run the battery down completely if it is integral and then switch off.
- ◆ Unplug the charger before cleaning it. Your charger does not require any maintenance apart from regular cleaning.
- ◆ Regularly clean the ventilation slots in your appliance/tool/charger using a soft brush or dry cloth.
- ◆ Regularly clean the motor housing using a damp cloth. Do not use any abrasive or solvent-based cleaner.
- ◆ Regularly open the chuck and tap it to remove any dust from the interior (when fitted).

Mains plug replacement (U.K. & Ireland only)

If a new mains plug needs to be fitted:

- ◆ Safely dispose of the old plug.
- ◆ Connect the brown lead to the live terminal in the new plug.
- ◆ Connect the blue lead to the neutral terminal.

Warning! No connection is to be made to the earth terminal. Follow the fitting instructions supplied with good quality plugs. Recommended fuse: 5 A.

Protecting the environment



Separate collection. This product must not be disposed of with normal household waste.

Should you find one day that your Black & Decker product needs replacement, or if it is of no further use to you, do not dispose of it with household waste. Make this product available for separate collection.



Separate collection of used products and packaging allows materials to be recycled and used again. Re-use of recycled materials helps prevent environmental pollution and reduces the demand for raw materials.

Local regulations may provide for separate collection of electrical products from the household, at municipal waste sites or by the retailer when you purchase a new product.

Black & Decker provides a facility for the collection and recycling of Black & Decker products once they have reached the end of their working life. To take advantage of this service please return your product to any authorised repair agent who will collect them on our behalf.

You can check the location of your nearest authorised repair agent by contacting your local Black & Decker office at the address indicated in this manual. Alternatively, a list of authorised Black & Decker repair agents and full details of our after-sales service and contacts are available on the Internet at: www.2helpU.com

Technical data

| | KD975 | KD985 | KD990 |
|------------------------|-----------------------------|-----------|-----------|
| | TYPE 3 | TYPE 3 | TYPE 3 |
| Input voltage | V _{ac} 230 | 230 | 230 |
| Power input | W 710 | 800 | 850 |
| No-load speed | min ⁻¹ 0 - 980 | 0 - 980 | 0 - 980 |
| Impact rate | min ⁻¹ 0 - 5,180 | 0 - 5,180 | 0 - 5,180 |
| Impact energy | J 1.8 | 2.2 | 2.4 |
| Max. drilling capacity | | | |
| Concrete | mm 22 | 24 | 26 |
| Steel | mm 13 | 13 | 13 |
| Wood | mm 30 | 30 | 30 |
| Weight | kg 3.4 | 3.4 | 3.4 |

Level of sound pressure according to EN 60745:Sound pressure (L_{pA}) 96 dB(A), uncertainty (K) 3 dB(A)Sound power (L_{WA}) 107 dB(A), uncertainty (K) 3 dB(A)**Vibration total values (triax vector sum) according to EN 60745:**Hammer drilling into concrete ($a_{v,HD}$) 14.9 m/s², uncertainty (K) 1.5 m/s²Chiselling ($a_{v,Chisel}$) 9.0 m/s², uncertainty (K) 1.5 m/s²**EC declaration of conformity**
MACHINERY DIRECTIVE

KD975/KD985/KD990

Black & Decker declares that these products described under "technical data" are in compliance with:
2006/42/EC, EN 60745-1, EN 60745-2-6
These products also comply with Directive
2004/108/EC and 2011/65/EU.

For more information, please contact Black & Decker at the following address or refer to the back of the manual.

The undersigned is responsible for compilation of the technical file and makes this declaration on behalf of Black & Decker.

Kevin Hewitt
Vice-President Global Engineering
Black & Decker Europe, 210 Bath Road, Slough,
Berkshire, SL1 3YD
United Kingdom
30/06/2014

Guarantee

Black & Decker is confident of the quality of its products and offers an outstanding guarantee. This guarantee statement is in addition to and in no way prejudices your statutory rights. The guarantee is valid within the territories of the Member States of the European Union and the European Free Trade Area.

If a Black & Decker product becomes defective due to faulty materials, workmanship or lack of conformity, within 24 months from the date of purchase, Black & Decker guarantees to replace defective parts, repair products subjected to fair wear and tear or replace such products to ensure minimum inconvenience to the customer unless:

- ◆ The product has been used for trade, professional or hire purposes;
- ◆ The product has been subjected to misuse or neglect;
- ◆ The product has sustained damage through foreign objects, substances or accidents;
- ◆ Repairs have been attempted by persons other than authorised repair agents or Black & Decker service staff.

To claim on the guarantee, you will need to submit proof of purchase to the seller or an authorised repair agent. You can check the location of your nearest authorised repair agent by contacting your local Black & Decker office at the address indicated in this manual. Alternatively, a list of authorised Black & Decker repair agents and full details of our after-sales service and contacts are available on the Internet at: www.2helpU.com

Please visit our website www.blackanddecker.co.uk to register your new Black & Decker product and to be kept up to date on new products and special offers. Further information on the Black & Decker brand and our range of products is available at www.blackanddecker.co.uk

Bestimmungsgemäße Verwendung

Ihr Black & Decker Bohrhammer wurde zum Bohren in Holz, Metall, Kunststoff und Mauerwerk sowie zum Schrauben und für leichte Meißeleinsätze entwickelt. Dieses Gerät ist nicht für den gewerblichen Einsatz vorgesehen.

Sicherheitshinweise

Allgemeine Warnhinweise zur Sicherheit von Elektrowerkzeugen



Achtung! Lesen Sie sämtliche Sicherheitswarnhinweise und sonstigen Anweisungen.

Die Nichteinhaltung der nachstehend aufgeführten Warnhinweise und sonstigen Anweisungen kann einen elektrischen Schlag, Brand und/oder schwere Verletzungen verursachen.

Bewahren Sie alle Warnhinweise und sonstigen Anweisungen zur künftigen Bezugnahme auf.

Der nachfolgend verwendete Begriff "Gerät" bezieht sich auf netzbetriebene Geräte (mit Netzkabel) und auf akkubetriebene Geräte (ohne Netzkabel).

1. Sicherheit am Arbeitsplatz

- a. **Halten Sie Ihren Arbeitsbereich sauber und gut ausgeleuchtet.** Unordnung und dunkle Arbeitsbereiche fordern Unfälle geradezu heraus.
- b. **Arbeiten Sie mit Geräten nicht in explosionsgefährdeter Umgebung, in der sich brennbare Flüssigkeiten, Gase oder Stäube befinden.** Geräte erzeugen Funken, die den Staub oder die Dämpfe entzünden können.
- c. **Halten Sie Kinder und andere Personen während der Benutzung eines Geräts fern.** Bei Ablenkung können Sie die Kontrolle verlieren.

2. Elektrische Sicherheit

- a. **Der Anschlussstecker des Geräts muß in die Steckdose passen. Der Stecker darf in keiner Weise verändert werden. Verwenden Sie keine Adapterstecker gemeinsam mit geschützten Geräten.** Unveränderte Stecker und passende Steckdosen verringern das Risiko eines elektrischen Schlages.
- b. **Vermeiden Sie Körperkontakt mit geerdeten Oberflächen von Rohren, Heizungen, Herden und Kühlschränken.** Es besteht ein erhöhtes Risiko eines elektrischen Schlags, wenn Ihr Körper geerdet ist.
- c. **Halten Sie Geräte von Regen und Nässe fern.** Das Eindringen von Wasser in ein Gerät erhöht das Risiko eines elektrischen Schlages.

- d. **Mißbrauchen Sie nicht das Kabel. Verwenden Sie das Kabel niemals zum Tragen, Ziehen oder Trennen des Gerätes vom Netz. Halten Sie das Kabel fern von Hitze, Öl, scharfen Kanten oder sich bewegenden Teilen.** Beschädigte oder verwickelte Kabel erhöhen das Risiko eines elektrischen Schlages.
- e. **Wenn Sie mit einem Gerät im Freien arbeiten, verwenden Sie nur Verlängerungskabel, die auch für den Außenbereich zugelassen sind.** Die Verwendung eines für den Außenbereich geeigneten Verlängerungskabels verringert das Risiko eines elektrischen Schlages.
- f. **Falls der Betrieb des Elektrowerkzeugs in einer feuchten Umgebung unvermeidbar ist, verwenden Sie einen mit einem Fehlerstromschutzschalter (FI-Schutzschalter) abgesicherten Stromkreis.** Durch die Verwendung eines FI-Schutzschalters wird das Risiko eines Stromschlags verringert.

3. Sicherheit von Personen

- a. **Seien Sie aufmerksam, achten Sie darauf, was Sie tun, und gehen Sie vernünftig mit einem Gerät um. Benutzen Sie das Gerät nicht, wenn Sie müde sind oder unter dem Einfluß von Drogen, Alkohol oder Medikamenten stehen.** Ein Moment der Unachtsamkeit beim Gebrauch von Geräten kann zu ernsthaften Verletzungen führen.
- b. **Tragen Sie persönliche Schutzausrüstung. Tragen Sie immer eine Schutzbrille.** Das Tragen persönlicher Schutzausrüstung, wie Staubmaske, rutschfeste Sicherheitsschuhe, Schutzhelm oder Gehörschutz, je nach Art und Einsatz des Elektrowerkzeuges, verringert das Risiko von Verletzungen.
- c. **Vermeiden Sie eine unbeabsichtigte Inbetriebnahme. Vergewissern Sie sich, dass der Schalter auf der Aus-Stellung steht, bevor Sie den Stecker in die Steckdose stecken und/oder das Akkupaket im Werkzeug stecken, das Werkzeug aufnehmen oder tragen.** Wenn Sie beim Tragen des Elektrowerkzeuges den Finger am Schalter haben oder das Werkzeug eingeschaltet an die Stromversorgung anschließen, kann dies zu Unfällen führen.
- d. **Entfernen Sie Einstell- oder Schraubenschlüssel, bevor Sie das Gerät einschalten.** Ein Schlüssel, der sich in einem sich drehenden Teil befindet, kann zu Verletzungen führen.
- e. **Nicht zu weit nach vorne strecken! Achten Sie auf einen sicheren Stand, um in jeder Arbeitsposition das Gleichgewicht zu halten.** Dadurch können Sie das Gerät in unerwarteten Situationen besser unter Kontrolle halten.
- f. **Tragen Sie geeignete Kleidung. Tragen Sie keine weite Kleidung oder Schmuck. Halten Sie Haare, Kleidung und Handschuhe fern von sich bewegenden Teilen.**

Lockere Kleidung, Schmuck oder lange Haare können von sich bewegenden Teilen erfaßt werden.

- g. Falls Staubabsaug- und -auffangvorrichtungen vorhanden sind, vergewissern Sie sich, daß diese angeschlossen sind und richtig verwendet werden.** Das Verwenden dieser Einrichtungen verringert Gefährdungen durch Staub.
- 4. Gebrauch und Pflege von Geräten**
- a. Überlasten Sie das Gerät nicht. Verwenden Sie für Ihre Arbeit das dafür bestimmte Gerät.** Mit dem passenden Gerät arbeiten Sie besser und sicherer im angegebenen Leistungsbereich.
- b. Benutzen Sie kein Gerät, dessen Schalter defekt ist.** Ein Gerät, das sich nicht mehr ein- oder ausschalten läßt, ist gefährlich und muß repariert werden.
- c. Trennen Sie den Stecker von der Stromquelle und/ oder das Akkupaket vom Elektrowerkzeug, bevor Einstellungen vorgenommen, Zubehör gewechselt oder Elektrowerkzeuge verstaut werden.** Diese Vorsichtsmaßnahmen verhindern den unbeabsichtigten Start des Gerätes.
- d. Bewahren Sie unbenutzte Geräte außerhalb der Reichweite von Kindern auf. Lassen Sie Geräte nicht von Personen benutzen, die damit nicht vertraut sind oder diese Anweisungen nicht gelesen haben.** Geräte sind gefährlich, wenn Sie von unerfahrenen Personen benutzt werden.
- e. Halten Sie Geräte in einem einwandfreien Zustand. Kontrollieren Sie, ob bewegliche Teile falsch ausgerichtet sind oder klemmen und ob Teile gebrochen oder so beschädigt sind, daß die Funktion des Geräts beeinträchtigt ist. Lassen Sie beschädigte Geräte vor dem Gebrauch reparieren.** Viele Unfälle haben ihre Ursache in schlecht gewarteten Geräten.
- f. Halten Sie Schneidgeräte scharf und sauber.** Sorgfältig gepflegte Schneidgeräte mit scharfen Schneidkanten verklemmen sich weniger und sind leichter zu führen.
- g. Verwenden Sie das Elektrowerkzeug, Zubehör sowie Werkzeug-Bits, usw. entsprechend diesen Anweisungen. Berücksichtigen Sie dabei die Arbeitsbedingungen sowie die durchzuführende Arbeit.** Der Gebrauch von Geräten für andere als die vorgesehenen Anwendungen kann zu gefährlichen Situationen führen.
- 5. Service**
- a. Lassen Sie Ihr Gerät nur von qualifiziertem Fachpersonal und nur mit Original-Ersatzteilen reparieren.** Damit wird gewährleistet, daß die Sicherheit des Geräts erhalten bleibt.

Zusätzliche Warnhinweise zur Sicherheit von Elektrowerkzeugen



Achtung! Zusätzliche Sicherheitswarnhinweise für Bohrhämmer

- ◆ **Tragen Sie einen Gehörschutz.** Lärm kann Gehörschäden verursachen.
- ◆ **Verwenden Sie die im Lieferumfang des Werkzeugs enthaltenen Zusatzhandgriffe.** Ein Kontrollverlust kann Personenverletzungen verursachen.
- ◆ **Halten Sie das Elektrowerkzeug an den isolierten Griffflächen, wenn Arbeiten durchgeführt werden, bei denen das Schneidezubehör versteckte Leitungen oder die eigene Anschlußleitung berühren könnte.** Schneidezubehör, das eine spannungsführende Leitung berührt, setzt die freiliegenden Metallteile des Elektrowerkzeugs unter Spannung und der Benutzer erleidet einen Stromschlag.
- ◆ Verwenden Sie niemals ein Meißel im Rotationsmodus. Das Zubehör bleibt im Material stecken und der Bohrhämmer dreht sich.
- ◆ Verwenden Sie Zwingen oder ähnliche Mittel, um das Werkstück auf einer stabilen Plattform zu halten und zu sichern. Falls das Werkstück mit der Hand oder gegen den Körper gehalten wird, bleibt es instabil und Sie können die Kontrolle verlieren.
- ◆ Informieren Sie sich vor dem Bohren in Wände, Böden und Decken über den genauen Verlauf von Leitungen und Rohren.
- ◆ Vermeiden Sie eine Berührung der Spitze eines Bohrers kurz nach dem Bohren, da sie heiß sein kann.
- ◆ Die bestimmungsgemäße Verwendung ist in dieser Bedienungsanleitung beschrieben. Das Verwenden anderer als der in dieser Anleitung empfohlenen Anbaugeräte und Zubehörteile oder die Ausführung von Arbeiten mit diesem Werkzeug, die nicht der bestimmungsgemäßen Verwendung entsprechen, kann zu Unfallgefahren und/oder Sachschäden führen.

Sicherheit anderer Personen

- ◆ Dieses Gerät darf nicht von Personen (einschließlich Kindern) mit eingeschränkten körperlichen, sensorischen oder geistigen Fähigkeiten verwendet werden. Auch darf es nicht von Personen verwendet werden, die keine Erfahrung mit dem Gerät oder Kenntnis darüber haben, es sei denn, sie stehen beim Gebrauch unter der Aufsicht und Anleitung einer für deren Sicherheit verantwortlichen Person.
- ◆ Kinder müssen beaufsichtigt werden, um sicherzustellen, daß sie nicht mit dem Gerät spielen.

Vibrationen

Die angegebenen Vibrationswerte in den Technischen Daten und der Konformitätserklärung wurden gemäß einer standardisierten und durch EN 60745 festgelegten Prüfmethode gemessen und können herangezogen werden, um ein Werkzeug mit einem anderen zu vergleichen. Der angegebene Vibrationswert kann auch für eine vorläufige Einstufung der Freisetzung herangezogen werden.

Achtung! Der Vibrationswert beim eigentlichen Gebrauch des Elektrowerkzeugs kann vom angegebenen Wert abweichen. Dies hängt davon ab, auf welche Weise das Werkzeug verwendet wird. Der Vibrationswert kann über den angegebenen Wert hinaus ansteigen.

Bei der Einstufung der Vibrationen zur Festlegung der von 2002/44/EG geforderten Sicherheitsmaßnahmen zum Schutz von Personen, die beruflich regelmäßig mit Elektrowerkzeugen arbeiten, muß eine Vibrationseinstufung die tatsächlichen Gebrauchsbedingungen und die Art und Weise berücksichtigen, wie das Werkzeug verwendet wird. Auch müssen alle Aspekte des Arbeitszyklus berücksichtigt werden, wie beispielsweise die Zeiten, in denen das Werkzeug aus- und eingeschaltet ist und im Leerlauf läuft.

Schilder auf dem Gerät

Es befinden sich folgende Bildzeichen auf dem Gerät:



Achtung! Um die Verletzungsgefahr zu verringern, muß der Benutzer die Bedienungsanleitung lesen.

Elektrische Sicherheit



Dieses Gerät ist schutzisoliert, daher ist keine Erdleitung erforderlich. Überprüfen Sie immer, ob die Netzspannung der auf dem Typenschild des Elektrowerkzeuges angegebenen Spannung entspricht.

- ◆ Falls das Netzkabel beschädigt ist, so ist es vom Hersteller oder einem autorisierten Black & Decker Service Center auszutauschen, um Gefahren vorzubeugen.

Merkmale

Dieses Gerät weist einige oder alle der folgenden Merkmale auf.

1. Drehzahl-Regelschalter
2. Ausschaltsperr
3. Rechts-/Linkslaufschalter
4. Drehzahl-Vorwahlknopf
5. Betriebsartenschalter
6. Werkzeugaufnahme
7. Seitenhandgriff
8. Tiefenanschlag

Montage

Achtung! Vergewissern Sie sich vor der Montage, daß das Gerät ausgeschaltet ist und daß der Netzstecker gezogen wurde.

Anbringen des Seitenhandgriffs und des Tiefenanschlags (Abb. A)

- ◆ Drehen Sie den Griff gegen den Uhrzeigersinn, bis der Seitenhandgriff (7) wie angegeben vorne auf das Gerät geschoben werden kann.
- ◆ Drehen Sie den Seitenhandgriff in die gewünschte Stellung.
- ◆ Setzen Sie den Tiefenanschlag (8) wie angegeben in die Befestigungsöffnung ein.
- ◆ Stellen Sie den Tiefenanschlag auf die gewünschte Position ein. Die maximale Bohrtiefe ist der Abstand zwischen der Spitze des Bohrers und dem vorderen Ende des Tiefenanschlages.
- ◆ Ziehen Sie den Seitenhandgriff an, indem Sie ihn im Uhrzeigersinn drehen.

Montieren eines Zubehörteils (Abb. B)

- ◆ Reinigen und fetten Sie gegebenenfalls den Schaft (9).
- ◆ Ziehen Sie den Spannring (10) zurück und setzen Sie den Schaft in die Werkzeugaufnahme (6).
- ◆ Drücken Sie das Zubehör bis zum Anschlag hinein und drehen Sie es, bis es in den Schlitzen sitzt.
- ◆ Ziehen Sie am Zubehör, um sich zu vergewissern, daß es richtig gesichert ist. Für die Hammerfunktion ist es erforderlich, daß sich das im Werkzeughalter eingespannte Zubehör einige Zentimeter in axialer Richtung bewegen kann.
- ◆ Um das Zubehör zu entfernen, ziehen Sie den Spannring (10) zurück und ziehen Sie das Zubehör heraus.

KD985/KD990 - Anbringen des Schlüssel-Bohrfutters (Abb. C)

- ◆ Bringen Sie den Schaft (11) des mitgelieferten Bohrers (12) wie oben beschrieben im Werkzeughalter an.

Achtung! Verwenden Sie zum Schlagbohren nie Schlüssel-Bohrfutter.

KD985/KD990 - Anbringen von Zubehör im Schlüssel-Bohrfutter (Abb. D)

- ◆ Öffnen Sie das Bohrfutter durch Drehen des Spannring (13).
- ◆ Stecken Sie den Werkzeugschaft (14) in das Spannfutter.
- ◆ Stecken Sie den Bohrfutterschlüssel (15) in eines der seitlichen Löcher (16) des Bohrers und drehen Sie es fest.

Restrisiken.

Für den Gebrauch dieses Geräts verbleiben zusätzliche Restrisiken, die möglicherweise nicht in den Sicherheitswarnungen genannt werden. Diese Risiken bestehen beispielsweise bei Missbrauch oder längerem Gebrauch.

Auch bei der Einhaltung der entsprechenden Sicherheitsvorschriften und der Verwendung aller Sicherheitsgeräte bestehen weiterhin bestimmte Restrisiken. Diese werden im Folgenden aufgeführt:

- ◆ **Verletzungen, die durch das Berühren von sich drehenden/bewegenden Teilen verursacht werden.**
- ◆ **Verletzungen, die durch das Austauschen von Teilen, Messern oder Zubehör verursacht werden.**
- ◆ **Verletzungen, die durch längeren Gebrauch eines Geräts verursacht werden. Legen Sie bei längerem Gebrauch regelmäßige Pausen ein.**
- ◆ **Beeinträchtigung des Gehörs.**
- ◆ **Gesundheitsrisiken durch das Einatmen von Staub beim Gebrauch des Geräts (Beispielsweise bei Holzarbeiten, insbesondere Eiche, Buche und Presspan).**

Gebrauch

Achtung! Beschleunigen Sie den Arbeitsvorgang nicht mit Gewalt. Vermeiden Sie eine Überlastung des Geräts.

Achtung! Informieren Sie sich vor dem Bohren in Wände, Böden und Decken über den genauen Verlauf von Leitungen und Rohren.

Wahl der Betriebsart (Abb. E)

Dieses Werkzeug läßt sich in drei Betriebsarten benutzen: Drehen Sie den Betriebsartenschalter (5) in die gewünschte und durch die Pfeile angegebene Stellung.

Bohren

- ◆ Um in Stahl, Holz oder Kunststoff zu bohren sowie zum Schrauben stellen Sie den Betriebsartenschalter (5) in die Position **2**.
- ◆ Beim Schrauben beginnen Sie mit einer langsamen Drehzahl. Beim Herausdrehen von Schrauben wird die Drehzahl automatisch verringert.

Schlagbohren

- ◆ Um Schlagbohrarbeiten in Mauerwerk und Beton durchzuführen, stellen Sie den Betriebsartenschalter (5) in die Position **T1**.
- ◆ Im Hammerbetrieb sollte das Werkzeug nicht federn sondern ruhig laufen. Erhöhen Sie gegebenenfalls die Drehzahl.

Hammerbetrieb

- ◆ Beim Hammerbetrieb mit Spindelarretrierung sowie bei leichten Meißelarbeiten stellen Sie den Betriebsartenschalter (5) auf die Position **T**.
- ◆ Vergewissern Sie sich, daß der Rechts-/Linkslauf-Umschalter auf Rechtslauf steht.
- ◆ Beim Wechsel von Schlagbohren auf Meißeln drehen Sie den Meißel in die gewünschte Position. Wird während des Betriebsart-Wechsels ein Widerstand gespürt, drehen Sie den Meißel etwas, damit die Spindelarretrierung einrastet.

Wahl der Laufrichtung

Zum Bohren, zum Anziehen von Schrauben sowie zum Meißeln verwenden Sie den Rechtslauf (im Uhrzeigersinn). Zum Lösen von Schrauben sowie zum Lösen eines feststehenden Bohrers verwenden Sie den Linkslauf (gegen den Uhrzeigersinn).

- ◆ Für Rechtslauf schieben Sie den Rechts-/Linkslaufschalter (3) nach links.
- ◆ Für Linkslauf schieben Sie den Rechts-/Linkslaufschalter nach rechts.

Achtung! Ändern Sie niemals die Laufrichtung, während der Motor läuft.

Einstellen der Bohrtiefe (Abb. F)

- ◆ Lockern Sie den Seitenhandgriff (7), indem Sie ihn gegen den Uhrzeigersinn drehen.
- ◆ Stellen Sie den Tiefenanschlag (8) auf die gewünschte Position ein. Die maximale Bohrtiefe ist der Abstand zwischen der Spitze des Bohrers und dem vorderen Ende des Tiefenanschlags.
- ◆ Ziehen Sie den Seitenhandgriff an, indem Sie ihn im Uhrzeigersinn drehen.

Ein- und Ausschalten

- ◆ Um das Gerät einzuschalten, drücken Sie auf den Drehzahl-Regelschalter (1). Je tiefer Sie den Schalter drücken, umso höher ist die Drehzahl des Geräts. Stellen Sie den Geschwindigkeitsvorwahlknopf (4) auf die gewünschte Geschwindigkeit ein.
- ◆ Verwenden Sie die Geschwindigkeiten 1-6 nur für kurze Zeitspannen.
- ◆ Im Allgemeinen sollten für Bohrer mit großen Durchmessern niedrige Drehzahlen und für Bohrer mit kleineren Durchmessern hohe Drehzahlen verwendet werden.
- ◆ Drücken Sie für Dauerbetrieb die Ausschaltsperr (2). Sie können nun den Drehzahl-Regelschalter loslassen. Diese Möglichkeit besteht nur beim Rechtslauf (im Uhrzeigersinn).

- ◆ Um das Gerät auszuschalten, lassen Sie den Geschwindigkeitsregelschalter los. Ausschalten im Dauerbetrieb: drücken Sie den Drehzahl-Regelschalter erneut, und lassen Sie ihn wieder los.



Durch die getrennte Entsorgung gebrauchter Produkte und Verpackungen können die Materialien recycelt und wiederverwertet werden. Die Wiederverwertung recycelter Materialien schont die Umwelt und verringert die Nachfrage nach Rohstoffen.

Zubehör

Die Leistung Ihres Geräts hängt vom verwendeten Zubehör ab. Black & Decker und Piranha Zubehör ist nach hohen Qualitätsnormen gefertigt und dafür ausgelegt, die Leistung Ihres Geräts zu steigern. Durch Verwendung dieses Zubehörs erzielen Sie die größtmögliche Leistung Ihres Geräts.

Wartung

Ihr netz- oder akkubetriebenes Black & Decker Gerät/ Werkzeug wurde im Hinblick auf eine lange Lebensdauer und einen möglichst geringen Wartungsaufwand entwickelt. Ein dauerhafter, einwandfreier Betrieb setzt eine regelmäßige Pflege und Reinigung voraus.

Achtung! Vor der Durchführung von Wartungsarbeiten an Elektrogeräten/-werkzeugen mit oder ohne Netzleitung:

- ◆ Schalten Sie das Gerät/Werkzeug aus und ziehen Sie den Netzstecker.
- ◆ Oder schalten Sie das Gerät aus und entfernen Sie den Akku aus dem Gerät/Werkzeug, falls das Gerät/Werkzeug einen eigenen Akku hat.
- ◆ Oder lassen Sie den Akku vollkommen leerlaufen, falls dieser im Gerät eingebaut ist. Schalten Sie das Gerät dann aus.
- ◆ Ziehen Sie den Netzstecker des Ladegeräts aus der Steckdose, bevor Sie es reinigen. Ihr Ladegerät bedarf keinerlei Wartung außer einer regelmäßigen Reinigung.
- ◆ Reinigen Sie regelmäßig die Lüftungsschlitze im Gerät/ Werkzeug/Ladegerät mit Hilfe einer weichen Bürste oder eines trockenen Lappens.
- ◆ Reinigen Sie regelmäßig das Motorgehäuse mit Hilfe eines feuchten Lappens. Verwenden Sie keine scheuernden Reinigungsmittel oder Reinigungsmittel auf Lösungsmittelbasis.
- ◆ Reinigen Sie regelmäßig das Spannfutter (falls angebracht), indem Sie es öffnen und durch leichtes Klopfen den Staub aus dem Inneren entfernen.

Umweltschutz



Getrennte Entsorgung. Dieses Produkt darf nicht über den normalen Hausmüll entsorgt werden.

Sollte Ihr Black & Decker Produkt eines Tages erneuert werden müssen, oder falls Sie es nicht weiter verwenden wollen, so darf es nicht über den Hausmüll entsorgt werden. Stellen Sie dieses Produkt zur getrennten Entsorgung bereit.

Die regionalen Bestimmungen schreiben unter Umständen die getrennte Entsorgung elektrischer Produkte aus dem Haushalt an Sammelstellen oder seitens des Händlers vor, bei dem Sie das neue Produkt erworben haben.

Black & Decker nimmt Ihre ausgedienten Black & Decker Geräte gern zurück und sorgt für eine umweltfreundliche Entsorgung und Wiederverwertung. Um diesen Dienst zu nutzen, schicken Sie bitte Ihr Produkt zu einer Vertragswerkstatt. Hier wird es dann auf unsere Kosten gesammelt.

Die Adresse der zuständigen Black & Decker Vertretung steht in diesem Handbuch, darüber läßt sich die nächstgelegene Vertragswerkstatt ermitteln. Außerdem ist eine Liste der Vertragswerkstätten und aller Kundendienststellen von Black & Decker sowie der zuständigen Ansprechpartner im Internet zu finden unter: www.2helpU.com

Technische Daten

| | | KD975 | KD985 | KD990 |
|-----------------------|-------------------|-----------|-----------|-----------|
| | | TYPE 3 | TYPE 3 | TYPE 3 |
| Spannung | V_{AC} | 230 | 230 | 230 |
| Leistungsaufnahme | W | 710 | 800 | 850 |
| Leerlaufdrehzahl | min^{-1} | 0 - 980 | 0 - 980 | 0 - 980 |
| Schlaggeschwindigkeit | min^{-1} | 0 - 5.180 | 0 - 5.180 | 0 - 5.180 |
| Schlagenergie | J | 1.8 | 2.2 | 2.4 |
| Max. Bohrkapazität | | | | |
| Beton | mm | 22 | 24 | 26 |
| Stahl | mm | 13 | 13 | 13 |
| Holz | mm | 30 | 30 | 30 |
| Gewicht | kg | 3.4 | 3.4 | 3.4 |

Höhe des Schalldrucks gemäß EN 60745:

Schalldruck (L_{pA}) 96 dB(A), Unsicherheitsfaktor (K) 3 dB(A)

Schalleistung (L_{WA}) 107 dB(A), Unsicherheitsfaktor (K) 3 dB(A)

Gesamtvibrationswerte (Triax-Vektorsumme) gemäß EN 60745:

Hammerbohren in Beton ($a_{h,HP}$) 14.9 m/s^2 , Unsicherheitsfaktor (K) 1.5 m/s^2

Meißeln ($a_{h,C20/25}$) 9.0 m/s^2 , Unsicherheitsfaktor (K) 1.5 m/s^2

EG-Konformitätserklärung

MASCHINENRICHTLINIE



KD975/KD985/KD990

Black & Decker erklärt, daß diese unter "Technische Daten" beschriebenen Produkte folgende Richtlinien erfüllen:
2006/42/EG, EN 60745-1, EN 60745-2-6

Diese Produkte entsprechen außerdem den Richtlinien
2004/108/EG und 2011/65/EU.

Wenden Sie sich für weitere Informationen bitte an folgende
Black & Decker Anschrift bzw. an die hinten im Handbuch
angegebene Anschrift.

Der Unterzeichnete ist für die Zusammenstellung der
technischen Datei verantwortlich und gibt diese Erklärung im
Namen von Black & Decker ab.

Kevin Hewitt
Vice-President Global Engineering
Black & Decker Europe, 210 Bath Road, Slough,
Berkshire, SL1 3YD
Vereinigtes Königreich
30/06/2014

Garantie

Black & Decker vertraut auf die Qualität der eigenen Geräte und bietet dem Käufer eine außergewöhnliche Garantie. Diese Garantiezusage versteht sich unbeschadet der gesetzlichen Gewährleistungsansprüche und schränkt diese keinesfalls ein. Sie gilt in sämtlichen Mitgliedsstaaten der Europäischen Union und der Europäischen Freihandelszone EFTA.

Tritt innerhalb von 24 Monaten ab Kaufdatum an einem Gerät von Black & Decker ein auf Material- oder Verarbeitungsfehler zurückzuführender Mangel auf, garantiert Black & Decker den Austausch defekter Teile, die Reparatur von Geräten mit üblichem Verschleiß bzw. den Austausch eines mangelhaften Geräts, ohne den Kunden dabei mehr als unbedingt nötig in Anspruch zu nehmen, allerdings vorbehaltlich folgender Ausnahmen:

- ◆ wenn das Gerät gewerblich, beruflich oder im Verleihgeschäft benutzt wurde;
- ◆ wenn das Gerät mißbräuchlich verwendet oder mit mangelnder Sorgfalt behandelt wurde;
- ◆ wenn das Gerät durch irgendwelche Fremdeinwirkung beschädigt wurde;
- ◆ wenn ein unbefugter Reparaturversuch durch anderes Personal als das einer Vertragswerkstatt oder des Black & Decker-Kundendienstes unternommen wurde.

Zur Inanspruchnahme dieser Garantie ist dem Verkäufer bzw. der Vertragswerkstatt ein Kaufnachweis vorzulegen.

Der Kaufnachweis muß Kaufdatum und Gerätetyp bescheinigen. Die Adresse des zuständigen Büros von Black & Decker steht in dieser Anleitung, darüber läßt sich die nächstgelegene Vertragswerkstatt ermitteln. Außerdem ist eine Liste der Vertragswerkstätten und aller Kundendienststellen von Black & Decker sowie der zuständigen Ansprechpartner im Internet zu finden unter: **www.2helpU.com**

Bitte besuchen Sie unsere Webseite **www.blackanddecker.de**, um Ihr neues Black & Decker Produkt zu registrieren und über neue Produkte und Sonderangebote aktuell informiert zu werden. Weitere Informationen über die Marke Black & Decker und unsere Produkte finden Sie unter **www.blackanddecker.de**

Utilisation prévue

Votre perceuse à percussion rotative Black & Decker a été conçue pour percer le bois, le métal, le plastique et la maçonnerie, pour servir de visseuse-dévisseuse et pour des travaux de burinage légers. Cet outil a été conçu pour une utilisation exclusivement domestique.

Instructions de sécurité

Consignes de sécurité générales pour les outils électriques



Attention ! Prenez connaissance de tous les avertissements de sécurité et de toutes les instructions. Le non-respect des avertissements et des instructions indiqués ci-dessous peut entraîner une électrocution, un incendie ou de graves blessures.

Conservez tous les avertissements et instructions pour référence future. La notion d'« outil électroportatif » mentionnée par la suite se rapporte à des outils électriques raccordés au secteur (avec câble de raccordement) ou fonctionnant sur piles (sans fil).

1. Sécurité de la zone de travail

- Maintenez la zone de travail propre et bien éclairée.**
Un lieu de travail en désordre ou mal éclairé augmente le risque d'accidents.
- N'utilisez pas les outils électroportatifs dans un environnement présentant des risques d'explosion ni en présence de liquides, gaz ou poussières inflammables.** Les outils électroportatifs génèrent des étincelles risquant d'enflammer les poussières ou les vapeurs.
- Tenez les enfants et autres personnes éloignés durant l'utilisation de l'outil électroportatif.** En cas d'inattention, vous risquez de perdre le contrôle sur l'outil.

2. Sécurité électrique

- La fiche de secteur de l'outil électroportatif doit convenir à la prise de courant. Ne modifiez en aucun cas la fiche. N'utilisez pas de fiches d'adaptateur avec des outils ayant une prise de terre.** Les fiches non modifiées et les prises de courant appropriées réduisent le risque d'électrocution.
- Évitez le contact physique avec des surfaces mises à la terre telles que tuyaux, radiateurs, fours et réfrigérateurs.** Il y a un risque élevé d'électrocution si votre corps est relié à la terre.
- N'exposez pas l'outil électroportatif à la pluie ni à l'humidité.** La pénétration d'eau dans un outil électroportatif augmente le risque d'électrocution.

- Préservez le câble d'alimentation. N'utilisez pas le câble à d'autres fins que celles prévues, notamment pour porter l'outil, l'accrocher voire le débrancher de la prise de courant. Maintenez le câble éloigné des sources de chaleur, des parties grasses, des bords tranchants ou des parties de l'outil en rotation.**
Un câble endommagé ou enchevêtré augmente le risque d'électrocution.
 - Si vous utilisez l'outil électroportatif à l'extérieur, utilisez une rallonge homologuée pour utilisation à l'air libre.** L'utilisation d'une rallonge électrique homologuée pour les applications extérieures réduit le risque d'électrocution.
 - Si l'usage d'un outil dans un emplacement humide est inévitable, utilisez une alimentation protégée par un dispositif à courant différentiel résiduel (RCD).**
L'usage d'un RCD réduit le risque de choc électrique.
- #### 3. Sécurité personnelle
- Restez vigilant, surveillez ce que vous faites. Faites preuve de bon sens quand vous utilisez l'outil électroportatif. N'utilisez pas l'outil lorsque vous êtes fatigué ou après avoir consommé de l'alcool, des drogues voire des médicaments.** Un moment d'inattention lors de l'utilisation de l'outil peut entraîner de graves blessures.
 - Utilisez un équipement de protection personnelle. Portez toujours une protection pour les yeux.** Les équipements de protection personnelle tels que les masques anti-poussières, chaussures de sécurité antidérapantes, casques ou protections acoustiques utilisés dans des conditions appropriées réduisent les blessures.
 - Évitez toute mise en marche involontaire. Vérifiez que l'interrupteur est en position arrêté avant de brancher l'outil au secteur ou au bloc de batteries, de le prendre ou de le porter.** Transporter les outils en avec le doigt sur l'interrupteur ou les brancher avec l'interrupteur en position de marche est une source d'accidents.
 - Enlevez tout outil ou clé de réglage avant de mettre l'outil en marche.** Une clé ou un outil se trouvant sur une partie en rotation peut causer des blessures.
 - Adoptez une position confortable. Adoptez une position stable et gardez votre équilibre à tout moment.** Vous contrôlerez mieux l'outil dans des situations inattendues.
 - Portez des vêtements appropriés. Ne portez pas de vêtements flottants ou de bijoux. N'approchez pas les cheveux, vêtements ou gants des parties des pièces mobiles.** Les vêtements amples, les bijoux ou les cheveux longs peuvent être attrapés dans les pièces en mouvement.

- g. Si des dispositifs servant à aspirer ou à recueillir les poussières doivent être utilisés, vérifiez qu'ils sont correctement raccordés et utilisés. Le fait d'aspirer la poussière permet de réduire les risques inhérents à la poussière.
4. **Utilisation des outils électroportatifs et précautions**
- a. **Ne surchargez pas l'outil. Utilisez l'outil électroportatif approprié pour le travail à effectuer.** Avec l'outil électroportatif approprié, vous travaillerez mieux et avec plus de sécurité à la vitesse pour laquelle il a été conçu.
- b. **N'utilisez pas un outil électroportatif dont l'interrupteur est défectueux.** Un outil électroportatif qui ne peut plus être mis en ou hors fonctionnement est dangereux et doit être réparé.
- c. **Déconnectez la prise de la source d'alimentation ou le pack-batterie de l'outil électrique avant tout réglage, changement d'accessoire voire rangement des outils électriques.** Cette mesure de précaution empêche une mise en marche par mégarde.
- d. **Rangez les outils électroportatifs hors de portée des enfants. Ne laissez pas les personnes n'étant pas familiarisées avec l'outil ou n'ayant pas lu ces instructions l'utiliser.** Les outils électroportatifs sont dangereux lorsqu'ils sont utilisés par des personnes non initiées.
- e. **Prenez soin des outils électroportatifs. Vérifiez que les parties en mouvement fonctionnent correctement et qu'elles ne sont pas coincées ; vérifiez qu'il n'y a pas de pièces cassées ou endommagées susceptibles de nuire au bon fonctionnement de l'outil. S'il est endommagé, faites réparer l'outil avant de l'utiliser.** De nombreux accidents sont dus à des outils électroportatifs mal entretenus.
- f. **Maintenez les outils de coupe aiguisés et propres.** Des outils soigneusement entretenus avec des bords tranchants bien aiguisés se coincent moins souvent et peuvent être guidés plus facilement.
- g. **Utilisez l'outil électrique, les accessoires et forets, etc. conformément à ces instructions, en tenant compte des conditions de travail et des tâches à effectuer.** L'utilisation des outils électroportatifs à d'autres fins que celles prévues peut entraîner des situations dangereuses.
5. **Réparations**
- a. **Faites réparer votre outil électroportatif uniquement par du personnel qualifié et seulement avec des pièces de rechange d'origine.** Cela garantira le maintien de la sécurité de votre outil.

Avertissements de sécurité additionnels pour les outils électriques



Attention ! Avertissements de sécurité supplémentaires pour les perceuses à percussion rotatives et de burinage

- ◆ **Munissez-vous de protections auditives.** L'exposition au bruit peut causer des pertes de l'audition.
- ◆ **Utilisez les poignées additionnelles fournies avec l'outil.** Une perte de contrôle peut provoquer des blessures.
- ◆ **Tenez l'outil électrique uniquement par les surfaces isolées des poignées si l'opération effectuée peut mettre la lame en contact avec des câbles électriques cachés ou son propre cordon électrique.** Le contact de l'accessoire de coupe avec un câble sous tension met les parties métalliques de l'outil électrique sous tension et peut provoquer une électrocution de l'utilisateur.
- ◆ N'utilisez jamais l'accessoire de burinage en mode rotatif. L'accessoire risque de se bloquer dans le matériau et de faire tourner la perceuse.
- ◆ Utilisez des fixations ou tout autre moyen pratique pour fixer et soutenir la pièce à ouvrir sur une plate-forme stable. Si vous tenez la pièce à la main ou contre votre corps, elle est instable et vous pouvez en perdre le contrôle.
- ◆ Avant de percer les murs, les planchers ou les plafonds, vérifiez l'emplacement des fils électriques et des tuyaux.
- ◆ Evitez de toucher l'extrémité d'un foret juste après avoir percé car il peut être chaud.
- ◆ Le domaine d'utilisation de l'outil est décrit dans le présent manuel. L'utilisation d'accessoires ou la réalisation d'opérations avec cet outil autres que ceux recommandés dans le présent manuel peut entraîner un risque de blessure ou de dégâts.

Sécurité des tiers

- ◆ Cet appareil n'est pas destiné à être utilisé par des personnes (notamment des enfants) présentant des capacités physiques, sensorielles ou mentales limitées voire dépourvues de connaissance et d'expérience, sauf si elles sont supervisées ou ont reçu des instructions pour l'usage de l'appareil par une personne responsable de leur sécurité.
- ◆ Les enfants ne doivent pas jouer avec l'appareil.

Vibration

Les valeurs des émissions de vibrations mentionnées dans les données techniques et la déclaration de conformité ont été mesurées conformément à la méthode de test normalisée indiquée par EN 60745 et permettent les comparaisons entre outils.

Les valeurs des émissions de vibrations peuvent également servir à une évaluation préliminaire de l'exposition.

Attention ! Les valeurs des émissions de vibrations en utilisant réellement l'outil peuvent différer des valeurs déclarées en fonction du mode d'usage de l'outil. Le niveau de vibration peut dépasser le niveau indiqué.

Pour évaluer l'exposition aux vibrations afin de déterminer les mesures de sécurité imposées par 2002/44/CE pour protéger les personnes utilisant régulièrement des outils électriques, une estimation de l'exposition aux vibrations devrait prendre en compte les conditions réelles et le mode d'utilisation de l'outil, notamment l'ensemble du cycle de fonctionnement ainsi l'arrêt de l'outil et son fonctionnement au ralenti, outre le démarrage.

Étiquettes apposées sur l'outil

Les pictogrammes suivants sont présents sur l'outil :



Attention ! Afin de réduire les risques de blessures, l'utilisateur doit lire le manuel d'instructions.

Sécurité électrique



L'outil est doublement isolé ; par conséquent, aucun câble de masse n'est nécessaire. Vérifiez si le voltage mentionné sur la plaque signalétique de la machine correspond bien à la tension de secteur présente sur lieu.

- ◆ Si le câble d'alimentation est endommagé, il doit être remplacé par le fabricant ou par un centre de réparation agréé Black & Decker afin d'éviter tout accident.

Caractéristiques

Cet outil comprend toutes ou certaines des caractéristiques suivantes.

1. Interrupteur à variateur de vitesse
2. Bouton de verrouillage
3. Sélecteur de rotation gauche/droite
4. Bouton de contrôle de vitesse variable
5. Sélecteur de mode de perçage
6. Porte-outil
7. Poignée latérale
8. Butée de profondeur

Assemblage

Attention ! Avant l'assemblage, assurez-vous que l'outil est éteint et débranché.

Comment ajuster la poignée latérale et la butée de profondeur (fig. A)

- ◆ Faites tourner la poignée dans le sens anti-horaire jusqu'à ce que vous puissiez faire glisser la poignée latérale (7) sur le devant de l'outil comme indiqué.
- ◆ Faites tourner la poignée latérale dans la position souhaitée.
- ◆ Insérez la butée de profondeur (8) dans le trou de montage comme indiqué.
- ◆ Fixez la butée de profondeur dans la position souhaitée. La profondeur de perçage maximale est égale à la distance entre l'extrémité du foret et l'extrémité avant de la butée de profondeur.
- ◆ Serrez la poignée latérale en la faisant tourner dans le sens horaire.

Mise en place d'un accessoire (fig. B)

- ◆ Nettoyez et graissez la tige (9) de l'accessoire.
- ◆ Tirez sur le manchon vers l'arrière (10) et insérez la tige dans le support d'outil (6).
- ◆ Enfoncez l'accessoire et faites-le tourner légèrement jusqu'à ce qu'il soit bien en place dans les encoches.
- ◆ Tirez sur l'accessoire pour vérifier qu'il est bien bloqué. Pour utiliser la fonction de percussion, l'accessoire doit pouvoir se déplacer sur le côté de plusieurs centimètres lorsqu'il est fixé dans le support d'outil.
- ◆ Pour enlever l'accessoire, tirez sur le manchon (10) et tirez sur l'accessoire.

KD985/KD990 - Mise en place du mandrin à clef (fig. C)

- ◆ Fixez la tige (11) du mandrin (12) fourni dans le support d'outils comme indiqué ci-dessus.

Attention ! N'utilisez jamais de mandrins à clé en mode de perçage à percussion.

KD985/KD990 - Mise en place d'accessoires dans le mandrin à clef (fig. D)

- ◆ Ouvrez le mandrin en faisant tourner le manchon (13).
- ◆ Insérez la tige de l'accessoire (14) dans le mandrin.
- ◆ Insérez la clé du mandrin (15) dans chaque orifice (16) du côté du mandrin et faites-la tourner pour bien serrer.

Risques résiduels.

L'utilisation d'un outil non mentionné dans les consignes de sécurité données peut entraîner des risques résiduels supplémentaires. Ces risques peuvent survenir si l'outil est mal utilisé, si l'utilisation est prolongée, etc.

Malgré l'application des normes de sécurité correspondantes et la présence de dispositifs de sécurité, les risques résiduels suivants ne peuvent être évités. Ceci comprend :

- ◆ **Les blessures dues au contact avec une pièce mobile/ en rotation.**

- ◆ Les blessures causées en changeant des pièces, lames ou accessoires.
- ◆ Les blessures dues à l'utilisation prolongée d'un outil. Une utilisation prolongée de l'outil nécessite des pauses régulières.
- ◆ Déficience auditive.
- ◆ Risques pour la santé causés par l'inhalation de poussières produits pendant l'utilisation de l'outil (exemple : travail avec du bois, surtout le chêne, le hêtre et les panneaux en MDF).

Utilisation

Attention ! Laissez l'outil fonctionner à sa propre vitesse. Ne le surchargez pas.

Attention ! Avant de percer les murs, les planchers ou les plafonds, vérifiez l'emplacement des fils électriques et des tuyaux.

Sélection du mode de fonctionnement (fig. E)

Cet outil peut être utilisé en trois modes de fonctionnement. Faites tourner le sélecteur du mode de perçage (5) vers la position souhaitée, comme indiqué par les symboles.

Perçage

- ◆ Pour le perçage dans l'acier, le bois et le plastique, et pour le vissage, fixez le sélecteur de mode de fonctionnement (5) en position **1**.
- ◆ Lorsque vous vissez, commencez à vitesse réduite. Lorsque vous dévissez, la vitesse est automatiquement réduite.

Perçage à percussion

- ◆ Pour le perçage dans la maçonnerie et le béton, fixez le sélecteur de mode de fonctionnement (5) en position **T**.
- ◆ Lorsque vous percez avec la percussion, l'outil ne doit pas avoir de rebonds et doit fonctionner sans à-coups. Au besoin, augmentez la vitesse.

Perçage à percussion.

- ◆ Pour le perçage à percussion avec verrouillage de l'arbre et pour le burinage et fixez le sélecteur de mode de fonctionnement (5) en position **T**.
- ◆ Vérifiez que le bouton avant/arrière est sur la position avant.
- ◆ Lorsque vous passez du mode de perçage au mode de burinage, faites tourner le burin sur la position souhaitée. Si vous sentez une résistance lorsque vous changez de mode, faites légèrement tourner le burin pour engager l'arbre.

Sélection du sens de rotation

Pour le perçage, le serrage des vis et le burinage, utilisez la rotation vers l'avant (dans le sens des aiguilles d'une montre). Pour desserrer les vis ou enlever un foret de perçage coincé, utilisez la rotation vers l'arrière (dans le sens anti-horaire).

- ◆ Pour sélectionner la rotation vers l'avant, poussez le sélecteur de rotation droite / gauche (3) vers la gauche.
- ◆ Pour sélectionner la rotation vers l'arrière, poussez le sélecteur de rotation droite / gauche vers la droite.

Attention ! Ne changez jamais le sens de rotation lorsque le moteur est en marche.

Réglage de la profondeur de coupe (fig. F)

- ◆ Relâchez la poignée latérale (7) en la faisant tourner dans le sens anti-horaire.
- ◆ Fixez la butée de profondeur (8) dans la position souhaitée. La profondeur de perçage maximale est égale à la distance entre l'extrémité du foret et l'extrémité avant de la butée de profondeur.
- ◆ Serrez la poignée latérale en la faisant tourner dans le sens horaire.

Démarrage et arrêt

- ◆ Pour allumer l'outil, appuyez sur l'interrupteur de vitesse variable (1). La vitesse de l'outil dépend de la force que vous exercez sur l'interrupteur. Réglez la vitesse voulue avec le variateur de vitesse (4).
- ◆ Utilisez les vitesses 1 à 6 uniquement pour des périodes courtes.
- ◆ En règle générale, utilisez des vitesses lentes pour les forets de perçage de gros diamètres et les vitesses rapides pour les forets de petits diamètres.
- ◆ Pour un fonctionnement en continu, appuyez sur le bouton de verrouillage (2) et relâchez l'interrupteur de vitesse variable. Cette option n'est disponible qu'en rotation vers l'avant (dans le sens des aiguilles d'une montre).
- ◆ Pour éteindre l'outil, relâchez le sélecteur de vitesse. Pour éteindre l'outil lorsqu'il est en fonctionnement continu, appuyez sur l'interrupteur de vitesse variable une fois de plus et relâchez-le.

Accessoires

Les performances de votre outil dépendent de l'accessoire que vous utilisez. Les accessoires Black & Decker et Piranha sont conçus selon les normes de haute qualité pour améliorer les performances de votre outil. En utilisant ces accessoires, vous obtiendrez les meilleurs résultats de votre outil.

Entretien

Votre appareil/outil Black & Decker avec/sans fil a été conçu pour fonctionner pendant longtemps avec un minimum d'entretien. Un fonctionnement continu satisfaisant dépend d'un nettoyage régulier et d'un entretien approprié de l'outil.

Attention ! Avant toute activité d'entretien sur les outils électriques avec/sans fil :

- ◆ Eteignez et débranchez l'appareil/l'outil.
- ◆ Ou coupez et retirez la batterie de l'appareil/outil s'il comporte un pack-batterie séparé.
- ◆ Voire épuisez complètement la batterie si elle est intégrée puis mettez hors tension.
- ◆ Débranchez le chargeur avant de le nettoyer. Votre chargeur ne nécessite aucun autre entretien qu'un nettoyage régulier.
- ◆ Nettoyez régulièrement les fentes de ventilation de votre outil/appareil/chargeur à l'aide d'une brosse douce ou d'un chiffon sec.
- ◆ Nettoyez régulièrement le carter moteur à l'aide d'un chiffon humide. N'utilisez pas de produit abrasif ou à base de solvant.
- ◆ Ouvrez régulièrement le mandrin (le cas échéant) et tapotez dessus pour retirer toute poussière à l'intérieur.

Protection de l'environnement



Collecte séparée. Ce produit ne doit pas être jeté avec les déchets domestiques normaux.

Si vous décidez de remplacer ce produit Black & Decker, ou si vous n'en avez plus l'utilité, ne le jetez pas avec vos déchets domestiques. Rendez-le disponible pour une collecte séparée.



La collecte séparée des produits et emballages usés permet le recyclage des articles afin de les utiliser à nouveau. Le fait d'utiliser à nouveau des produits recyclés permet d'éviter la pollution environnementale et de réduire la demande de matières premières.

Les réglementations locales peuvent permettre la collecte séparée des produits électriques du foyer, dans des déchetteries municipales ou auprès du revendeur vous ayant vendu votre nouveau produit.

Black & Decker fournit un dispositif permettant de collecter et de recycler les produits Black & Decker lorsqu'ils ont atteint la fin de leur cycle de vie. Pour pouvoir profiter de ce service, veuillez retourner votre produit à un réparateur agréé qui se chargera de le collecter pour nous.

Pour connaître l'adresse du réparateur agréé le plus proche de chez vous, contactez le bureau Black & Decker à l'adresse indiquée dans ce manuel. Vous pourrez aussi trouver une liste des réparateurs agréés de Black & Decker et de plus amples détails sur notre service après-vente sur le site Internet à l'adresse suivante : www.2helpU.com

Caractéristiques techniques

| | KD975 TYPE 3 | KD985 TYPE 3 | KD990 TYPE 3 |
|--------------------------|-----------------------------|-----------------|-----------------|
| Tension | V _{AC} 230 | 230 | 230 |
| Puissance absorbée | W 710 | 800 | 850 |
| Vitesse à vide | min ⁻¹ 0 - 980 | 0 - 980 | 0 - 980 |
| Vitesse d'impact | min ⁻¹ 0 - 5.180 | 0 - 5.180 | 0 - 5.180 |
| Energie d'impact | J 1.8 | 2.2 | 2.4 |
| Capacité max. de perçage | | | |
| Béton | mm 22 | 24 | 26 |
| Acier | mm 13 | 13 | 13 |
| Bois | mm 30 | 30 | 30 |
| Poids | kg 3.4 | 3.4 | 3.4 |

Niveau de pression acoustique selon EN 60745 :

Pression acoustique (L_{pa}) 96 dB(A), incertitude (K) 3 dB(A)

Puissance acoustique (L_{wa}) 107 dB(A), incertitude (K) 3 dB(A)

Valeurs totales de vibration (somme vectorielle triax) selon EN 60745 :

Perçage à marteau dans le béton (a_{h,HD}) 14.9 m/s², incertitude (K) 1.5 m/s²

Burinage (a_{h,CHC}) 9.0 m/s², incertitude (K) 1.5 m/s²

Déclaration de conformité CE

DIRECTIVE MACHINES



KD975/KD985/KD990

Black & Decker déclare que ces produits décrits sous les "caractéristiques techniques" sont conformes avec :
2006/42/CE, EN 60745-1, EN 60745-2-6

Ces produits sont conformes aux normes
2004/108/CE et 2011/65/UE

Pour en savoir plus, veuillez contacter Black & Decker à l'adresse suivante ou consultez le dos du manuel.

Le soussigné est responsable de la compilation du fichier technique et effectue cette déclaration au nom de Black & Decker.

Kevin Hewitt

Vice-président Ingénierie globale

Black & Decker Europe, 210 Bath Road, Slough,

Berkshire, SL1 3YD

Royaume Uni

30/06/2014

Garantie

Black & Decker est confiant dans la qualité de ses produits et vous offre une garantie très étendue. Ce certificat de garantie est un document supplémentaire et ne peut en aucun cas se substituer à vos droits légaux. La garantie est valable sur tout le territoire des Etats Membres de l'Union Européenne et de la Zone de Libre Echange Européenne.

Si un produit Black & Decker s'avère défectueux en raison de matériaux en mauvaises conditions, d'une erreur humaine, ou d'un manque de conformité dans les 24 mois suivant la date d'achat, Black & Decker garantit le remplacement des pièces défectueuses, la réparation des produits usés ou cassés ou remplace ces produits à la convenance du client, sauf dans les circonstances suivantes :

- ◆ Le produit a été utilisé dans un but commercial, professionnel, ou a été loué.
- ◆ Le produit a été mal utilisé ou avec négligence.
- ◆ Le produit a subi des dommages à cause d'objets étrangers, de substances ou à cause d'accidents.
- ◆ Des réparations ont été tentées par des techniciens ne faisant pas partie du service technique de Black & Decker.

Pour avoir recours à la garantie, il est nécessaire de fournir une preuve d'achat au vendeur ou à un réparateur agréé.

Pour connaître l'adresse du réparateur agréé le plus proche de chez vous, contactez le bureau Black & Decker à l'adresse indiquée dans ce manuel. Vous pourrez aussi trouver une liste des réparateurs agréés de Black & Decker et de plus amples détails sur notre service après-vente sur le site Internet à l'adresse suivante : **www.2helpU.com**

Visitez notre site Web **www.blackanddecker.fr** pour enregistrer votre nouveau produit Black & Decker et être informé des nouveaux produits et des offres spéciales.

Pour plus d'informations concernant la marque Black & Decker et notre gamme de produits, consultez notre site **www.blackanddecker.fr**

Uso previsto

Il trapano a rotopercolazione Black & Decker è stato progettato per perforare legno, metalli, plastica e muratura, nonché per scalpellare, avvitare e svitare. L'utensile è stato progettato per un uso individuale.

Precauzioni di sicurezza

Avvisi generali di sicurezza per l'elettrotensile



Attenzione! Leggere tutti gli avvisi e le istruzioni di sicurezza. La mancata osservanza dei seguenti avvisi e istruzioni potrebbe causare scosse elettriche, incendi e/o infortuni gravi.

Conservare tutte gli avvisi e le istruzioni per consultazioni future. Il termine "elettrotensile" che ricorre in tutte le seguenti avvertenze si riferisce ad utensili elettrici con o senza filo.

1. Sicurezza dell'area di lavoro

- Mantenere pulita e bene illuminata l'area di lavoro.** Il disordine o la scarsa illuminazione possono causare incidenti.
- Evitare d'impiegare gli elettrotensili in ambienti esposti al rischio di esplosione, ad esempio in presenza di liquidi, gas o polveri infiammabili.** Gli elettrotensili producono scintille che possono far infiammare la polvere o i fumi.
- Mantenere lontani bambini ed astanti mentre si usa l'elettrotensile.** Eventuali distrazioni possono comportare la perdita del controllo dell'elettrotensile.

2. Sicurezza elettrica

- La spina elettrica deve essere adatta alla presa. Evitare assolutamente di alterare la spina. Non impiegare spine adattatrici con elettrotensili provvisti di messa a terra.** L'uso di spine inalterate e corrispondenti alle prese della rete domestica riduce il rischio di scosse elettriche.
- Evitare il contatto fisico con superfici collegate a terra, come tubi, radiatori, forni e frigoriferi.** Un corpo collegato a terra è esposto maggiormente al rischio di scosse elettriche.
- Custodire gli elettrotensili al riparo dalla pioggia o dall'umidità.** L'eventuale infiltrazione di acqua in un elettrotensile aumenta il rischio di scosse elettriche.
- Non esporre il cavo a sollecitazioni. Non usare il cavo per trasportare o trainare l'elettrotensile e non tirarlo per estrarre la spina dalla presa di corrente. Mantenere il cavo a distanza da fonti di calore, olio, bordi taglienti e/o parti in movimento.** I cavi elettrici danneggiati o aggrovigliati aumentano il rischio di scosse elettriche.

- Se l'elettrotensile viene adoperato all'aperto, usare esclusivamente prolunghe omologate per l'impiego all'esterno.** Un cavo adatto per impieghi all'esterno riduce il rischio di scosse elettriche.
- Se l'uso di un elettrotensile in un ambiente umido è inevitabile, utilizzare una fonte di alimentazione dotata di un dispositivo di protezione da correnti residue (RCD).** L'uso di un RCD riduce il rischio di scosse elettriche.

3. Sicurezza delle persone

- È importante concentrarsi su ciò che si sta facendo e maneggiare con giudizio l'elettrotensile. Non adoperare l'elettrotensile se si è stanchi o sotto l'effetto di stupefacenti, alcol o medicinali.** Un attimo di distrazione durante l'uso dell'elettrotensile può causare gravi infortuni personali.
- Indossare un equipaggiamento protettivo. Utilizzare sempre occhiali protettivi di sicurezza.** Indossando un equipaggiamento protettivo, ad esempio: maschera antipolvere, calzature di sicurezza con suola antiscivolo, casco e protezioni per l'udito, in condizioni adeguate, si riduce il rischio di lesioni personali.
- Evitare l'accensione involontaria dell'elettrotensile. Verificare che l'interruttore di accensione sia posizionato su off prima di collegare il cavo di alimentazione o la batteria, di sollevare o trasportare l'elettrotensile.** Trasportare gli elettrotensili con il dito sull'interruttore di accensione o collegare all'alimentazione elettrotensili con l'interruttore posizionato su on, favorisce il verificarsi di incidenti.
- Prima di accendere un elettrotensile, togliere eventuali chiavi o attrezzi di regolazione.** Un attrezzo o una chiave lasciati in un componente mobile dell'elettrotensile possono causare lesioni.
- Non sporgersi. Mantenere sempre un buon equilibrio evitando posizioni malsicure.** In questo modo è possibile controllare meglio l'elettrotensile in situazioni inaspettate.
- Vestirsi adeguatamente. Evitare di indossare indumenti larghi o gioielli. Tenere capelli, vestiti e guanti lontani dalle parti in movimento.** Vestiti larghi, gioielli o capelli lunghi possono impigliarsi nei componenti in movimento.
- Se gli elettrotensili sono provvisti di attacchi per la connessione di dispositivi di aspirazione o raccolta della polvere, assicurarsi che questi siano installati e utilizzati correttamente.** L'uso di un dispositivo di aspirazione può ridurre i rischi correlati alle polveri.

4. Uso e cura degli elettrotensili

- Non sovraccaricare l'elettrotensile. Usare un elettrotensile idoneo al lavoro da eseguire.** Un elettrotensile appropriato permetterà una migliore e più sicura lavorazione alla potenza nominale prevista.

- b. Non utilizzare elettroattrezzi con interruttori difettosi.**
Un elettroattrezzo che non può essere controllato mediante l'interruttore è pericoloso e deve essere riparato.
- c. Scollegare la spina dalla presa e/o estrarre la batteria dall'elettroattrezzo prima di eseguire regolazioni, di sostituire degli accessori o di riporre l'elettroattrezzo.**
Queste precauzioni riducono le possibilità che l'elettroattrezzo venga messo in funzione accidentalmente.
- d. Quando non vengono usati, gli elettroattrezzi devono essere custoditi fuori della portata dei bambini. Non consentire l'uso dell'elettroattrezzo a persone inesperte o che non abbiano letto le presenti istruzioni.** Gli elettroattrezzi risultano pericolosi se usati da persone inesperte.
- e. Sottoporre gli elettroattrezzi alle procedure di manutenzione del caso. Verificare che le parti mobili siano bene allineate e non inceppate, che non vi siano componenti rotti e che non sussistano altre condizioni che possano compromettere il funzionamento dell'elettroattrezzo. In caso di danni, riparare l'elettroattrezzo prima dell'uso.** La scarsa manutenzione causa molti incidenti.
- f. Mantenere affilati e puliti gli utensili da taglio.**
Se sottoposti alla corretta manutenzione, gli utensili da taglio con taglienti affilati s'inceppano meno frequentemente e sono più facili da manovrare.
- g. Utilizzare l'elettroattrezzo, gli accessori, le punte ecc. in conformità alle presenti istruzioni, tenendo conto delle condizioni lavorative e del tipo di lavoro da eseguire.** L'impiego degli elettroattrezzi per usi diversi da quelli previsti può dar luogo a situazioni di pericolo.
- 5. Riparazioni**
- a. Fare riparare l'elettroattrezzo solo ed esclusivamente da personale specializzato e solo impiegando pezzi di ricambio originali.** Ciò permetterà di conservare le condizioni di sicurezza dell'elettroattrezzo.

Ulteriori avvisi di sicurezza per l'elettroattrezzo



Attenzione! Ulteriori avvisi di sicurezza per trapani a rotazione

- ◆ **Indossare protezioni acustiche.** L'esposizione al rumore può causare la perdita dell'udito.
- ◆ **Utilizzare le impugnature ausiliarie fornite con l'elettroattrezzo.** La perdita di controllo può causare lesioni.
- ◆ **Eseguendo lavori in cui l'accessorio da taglio può entrare in contatto con linee elettriche nascoste o con il cavo di alimentazione, afferrare l'elettroattrezzo tramite le apposite impugnature isolanti.**

Il contatto dell'accessorio da taglio con una "linea sotto tensione", può sottoporre a tensione le parti metalliche dell'elettroattrezzo e provocare una scossa elettrica.

- ◆ **Non utilizzare mai uno scalpello in modalità di rotazione.**
Lo scalpello si bloccherebbe nel materiale causando la rotazione del trapano.
- ◆ **Utilizzare morsetti o un altro metodo sicuro per fissare e supportare il pezzo in lavorazione su una piattaforma stabile.** Se il pezzo in lavorazione è sostenuto a mano o appoggiato al proprio corpo, rimane in posizione instabile e si possono verificare perdite di controllo.
- ◆ **Prima di forare pareti, pavimenti o soffitti, verificare l'ubicazione di cavi elettrici e tubazioni.**
- ◆ **Evitare di toccare la punta del trapano subito dopo aver forato, può essere molto calda.**
- ◆ **L'utilizzo previsto è quello indicato nel presente manuale.** L'utilizzo di qualsiasi accessorio o attrezzatura o l'uso del presente elettroattrezzo per scopi diversi da quelli consigliati nel presente manuale d'istruzioni potrebbero comportare il rischio di infortuni e/o danni alle proprietà.

Sicurezza altrui

- ◆ **Questo elettroattrezzo non è destinato ad essere utilizzato da persone (bambini inclusi) con ridotte capacità fisiche, sensoriali o mentali, senza esperienza o non in possesso delle dovute conoscenze, senza la supervisione o l'addestramento da parte di una persona responsabile per la loro sicurezza.**
- ◆ **Controllare i bambini per evitare che giochino con l'elettroattrezzo.**

Vibrazioni

I valori delle vibrazioni dichiarati nei dati tecnici e nella dichiarazione di conformità sono stati misurati in conformità ai metodi di test standard descritti in: EN 60745 e possono essere utilizzati per comparare due elettroattrezzi. I valori di emissioni dichiarati possono essere usati anche per una valutazione preliminare dell'esposizione.

Attenzione! Il valore delle vibrazioni durante l'uso dell'elettroattrezzo può differire dai valori dichiarati a seconda del modo in cui viene usato l'elettroattrezzo. Il livello di vibrazioni può aumentare rispetto al livello nominale.

Quando si valuta l'esposizione alle vibrazioni e si stabiliscono le misure di sicurezza richieste dalla direttiva 2002/44/CE per proteggere il personale che utilizza regolarmente gli elettroattrezzi nello svolgimento delle proprie funzioni, considerare una stima dell'esposizione alle vibrazioni, le effettive condizioni d'uso e il modo in cui l'elettroattrezzo viene usato, analizzando tutte le parti del ciclo operativo, ovvero i periodi in cui l'elettroattrezzo è spento o gira a vuoto, oltre al tempo in cui è in uso.

Etichette sull'elettrotensile

Sull'elettrotensile sono presenti le seguenti immagini:



Attenzione! Per ridurre il rischio di lesioni, l'utente è tenuto a leggere il presente manuale di istruzioni.

Sicurezza elettrica



Il doppio isolamento di cui è provvisto l'elettrotensile rende superfluo il filo di terra. Controllare sempre che l'alimentazione corrisponda alla tensione indicata sulla targhetta delle caratteristiche.

- ◆ Se il cavo elettrico in dotazione risulta danneggiato, deve essere sostituito dal produttore o da un Centro di assistenza autorizzato Black & Decker, onde evitare rischi.

Funzioni

Questo elettrotensile è dotato di tutte le caratteristiche elencate di seguito, o di alcune di esse.

1. Interruttore a velocità variabile
2. Pulsante di bloccaggio
3. Interruttore avanti/indietro
4. Manopola di regolazione velocità
5. Selettore della modalità di perforazione
6. Porta-accessori
7. Impugnatura laterale
8. Arresto di profondità

Montaggio

Attenzione! Prima di montarlo assicuratevi che l'utensile sia spento e desinserito.

Installazione dell'impugnatura laterale e dell'arresto di profondità (fig. A)

- ◆ Ruotare il fermo in senso antiorario finché non è possibile far scivolare l'impugnatura laterale (7) sul lato anteriore dell'elettrotensile, come mostrato.
- ◆ Girare l'impugnatura laterale nella posizione desiderata.
- ◆ Inserire l'arresto di profondità (8) nel foro di montaggio, come mostrato.
- ◆ Regolare l'arresto di profondità sulla posizione desiderata. La profondità massima di perforazione equivale alla distanza tra la punta del trapano e l'estremità anteriore dell'arresto di profondità.
- ◆ Serrare la manopola laterale, ruotando l'impugnatura in senso orario.

Montaggio degli accessori (fig. B)

- ◆ Pulire e ingrassare il codolo (9) dell'accessorio.
- ◆ Tirare indietro la bussola (10) e inserire il codolo nel porta-accessori (6).

- ◆ Spingere in basso l'accessorio e ruotarlo leggermente finché non s'inserisce nelle scanalature.
- ◆ Tirare l'accessorio per controllare che sia bloccato correttamente. Con la funzione martello, l'accessorio deve potersi spostare assialmente di diversi centimetri quando è bloccato nel porta-accessori.
- ◆ Per rimuovere l'accessorio, tirare indietro la bussola (10) ed estrarlo.

KD985/KD990 - Montaggio del mandrino con chiave (fig. C)

- ◆ Inserire nel porta-accessori lo stelo (11) del mandrino (12) in dotazione, come descritto in precedenza.

Attenzione! Non utilizzare mai dei mandrini con chiave con la modalità trapano a percussione.

KD985/KD990 - Inserimento degli accessori nel mandrino con chiave (fig. D)

- ◆ Aprire il mandrino ruotando il manicotto (13).
- ◆ Inserire il codolo della punta (14) nel mandrino.
- ◆ Inserire la chiave del mandrino (15) in ogni foro (16) nel lato del mandrino e girare fino a serrarlo.

Rischi residui.

Altri rischi residui che possono sorgere durante l'impiego dell'elettrotensile e che possono non essere stati contemplati dagli allegati avvisi di sicurezza. Tali rischi possono sorgere a seguito di un uso prolungato o improprio, ecc. Perfino adottando gli appositi regolamenti di sicurezza e utilizzando i dispositivi di sicurezza, certi rischi residui non possono essere evitati. Essi comprendono:

- ◆ **Lesioni causate o subite a seguito del contatto con parti rotanti/in movimento.**
- ◆ **Lesioni causate o subite durante la sostituzione di parti, lame o accessori.**
- ◆ **Lesioni causate dall'impiego prolungato di un elettrotensile. Quando si usa qualsiasi elettrotensile per lunghi periodi, accertarsi di fare regolarmente delle pause.**
- ◆ **Problemi di udito.**
- ◆ **Rischi per la salute causati dall'aspirazione di polvere generata dall'utilizzo dell'elettrotensile (ad esempio quando si lavora con il legno, in modo particolare quello di quercia, faggio o l'MDF).**

Uso

Attenzione! Lasciare che l'utensile lavori al suo ritmo, senza sovraccaricarlo.

Attenzione! Prima di forare pareti, pavimenti o soffitti, verificare l'ubicazione di cavi elettrici e tubazioni.

Selezione della modalità operativa (fig. E)

Questo elettroutensile può essere usato in tre modalità operative. Ruotare il selettore di modalità di perforazione (5) nella posizione necessaria, in base ai simboli.

Istruzioni per trapanare

- ◆ Per perforare acciaio, legno e plastica e avvitare/svitare, impostare il selettore di modalità operativa (5) sulla posizione **1**.
- ◆ Quando si avvita/svita, l'attrezzo deve essere azionato a bassa velocità. Quando si estraggono delle viti, la velocità si riduce automaticamente.

Trapano a percussione

- ◆ Per perforare la muratura e il calcestruzzo, impostare il selettore della modalità operativa (5) sulla posizione **T**.
- ◆ Quando si trapanano, l'elettroutensile non deve sobbalzare e deve funzionare senza incepparsi. Se necessario, aumentare la velocità.

Martello

- ◆ Per martellare con il blocco mandrino e per operazioni leggere di scalpellatura e scricatura, impostare il selettore della modalità operativa (5) sulla posizione **T**.
- ◆ Accertarsi che l'interruttore avanti/indietro sia posizionato su avanti.
- ◆ Quando si passa dalla funzione trapano a percussione alla scalpellatura, ruotare lo scalpello nella posizione desiderata. Se durante il cambio di modalità si avverte resistenza, girare leggermente lo scalpello per impegnare il blocco dell'alberino.

Selezione del senso di rotazione

Per trapanare, avvitare e scalpellare, selezionare la direzione di rotazione in avanti (senso orario). Per svitare o per togliere una punta inceppata, selezionare il senso di rotazione indietro (senso antiorario).

- ◆ Per selezionare la rotazione in avanti, spingere il selettore avanti/indietro (3) verso sinistra.
- ◆ Per selezionare la rotazione indietro, spingere il selettore avanti/indietro verso destra.

Attenzione! Non invertire mai il senso di rotazione mentre l'elettroutensile è in funzione.

Regolazione della profondità di perforazione (fig. F)

- ◆ Allentare l'impugnatura laterale (7) ruotandola in senso antiorario.
- ◆ Regolare l'arresto di profondità (8) sulla posizione desiderata. La profondità massima di perforazione equivale alla distanza tra la punta del trapano e l'estremità anteriore dell'arresto di profondità.
- ◆ Serrare la manopola laterale, ruotando l'impugnatura in senso orario.

Avviamento e spegnimento

- ◆ Per accendere l'elettroutensile, premere l'interruttore variatore di velocità (1). La velocità dell'elettroutensile dipende dalla pressione esercitata sull'interruttore. Posizionare la manopola di regolazione velocità (4) sulla velocità desiderata.
- ◆ Utilizzare le velocità 1-6 solo per brevi periodi.
- ◆ Come regola generale, utilizzare velocità basse per punte di trapano di diametro grande e velocità alte per punte più piccole.
- ◆ Per un funzionamento continuo, spingere il pulsante di blocco (2) e rilasciare l'interruttore per il cambio di velocità. Questa opzione è disponibile solo con la rotazione in avanti (in senso orario).
- ◆ Per spegnere l'elettroutensile, rilasciare l'interruttore variatore di velocità. Per spegnere l'elettroutensile in modalità di funzionamento continuo, premere di nuovo l'interruttore per il cambio di velocità e poi rilasciarlo.

Accessori

Le prestazioni dell'utensile dipendono dall'accessorio usato. Gli accessori Black & Decker e Piranha, che sono prodotti di altissima qualità, sono stati progettati per ottimizzare la resa dell'utensile. Quando si scelgono questi accessori l'utensile offre prestazioni eccellenti.

Manutenzione

Questo apparecchio/elettroutensile con filo o a batteria Black & Decker è stato progettato per funzionare a lungo con un minimo di manutenzione. Per un funzionamento sempre soddisfacente è necessario avere cura dell'elettroutensile e provvedere alla regolare pulizia.

Attenzione! Prima di eseguire qualunque intervento di manutenzione su elettroutensili con filo o a batteria:

- ◆ Spegnere l'apparecchio/elettroutensile e disinserire la spina.
- ◆ Oppure spegnere e rimuovere la batteria se l'apparecchio/elettroutensile è dotato di una batteria separata.
- ◆ Oppure, far scaricare completamente la batteria, se è integrata, quindi spegnere l'elettroutensile.
- ◆ Scollegare il caricabatterie dalla presa elettrica prima di pulirlo. Il caricabatterie non richiede alcun tipo di manutenzione oltre a una regolare pulizia.
- ◆ Pulire regolarmente con una spazzola morbida o un panno asciutto le prese di ventilazione dell'elettroutensile/apparecchio e del caricabatterie.
- ◆ Il vano del motore deve essere pulito regolarmente con un panno umido. Non usare materiali abrasivi o detersivi a base di solventi.
- ◆ Aprire regolarmente il mandrino e colpirlo leggermente per togliere tutta la polvere dall'interno (quando è installato).

Protezione dell'ambiente



Raccolta differenziata. Questo prodotto non deve essere smaltito con i normali rifiuti domestici.

Nel caso in cui si decida di sostituire l'apparecchio oppure di disfarsene in quanto non più necessario, non dovrà essere smaltito con i normali rifiuti domestici. Smaltire il prodotto tramite raccolta differenziata.



La raccolta differenziata di prodotti e imballaggi usati, consente il riciclaggio e il riutilizzo dei materiali. Riutilizzare i materiali riciclati aiuta a prevenire l'inquinamento ambientale e riduce la richiesta di materie prime.

In base alle normative locali, i servizi per la raccolta differenziata di elettrodomestici possono essere disponibili presso i punti di raccolta municipali o presso il rivenditore, al momento dell'acquisto di un nuovo prodotto.

Black & Decker offre ai suoi clienti un servizio per la raccolta differenziata e la possibilità di riciclare i prodotti Black & Decker che hanno esaurito la loro durata in servizio. Per usufruire del servizio, è sufficiente restituire il prodotto a qualsiasi tecnico autorizzato, incaricato della raccolta per conto dell'azienda.

Per individuare il tecnico autorizzato più vicino, rivolgersi alla sede Black & Decker locale, presso il recapito indicato nel presente manuale. Altrimenti un elenco completo di tutti i tecnici autorizzati Black & Decker e i dettagli completi sui contatti e i servizi post-vendita sono disponibili sul sito Internet: www.2helpU.com

Dati tecnici

| | | KD975 TYPE 3 | KD985 TYPE 3 | KD990 TYPE 3 |
|----------------------------------|-------------------|-----------------|-----------------|-----------------|
| Tensione | V_{AC} | 230 | 230 | 230 |
| Potenza assorbita | W | 710 | 800 | 850 |
| Velocità a vuoto | min^{-1} | 0 - 980 | 0 - 980 | 0 - 980 |
| Frequenza d'urto | min^{-1} | 0 - 5.180 | 0 - 5.180 | 0 - 5.180 |
| Energia d'urto | J | 1.8 | 2.2 | 2.4 |
| Capacità di perforazione massima | | | | |
| Calcestruzzo | mm | 22 | 24 | 26 |
| Acciaio | mm | 13 | 13 | 13 |
| Legno | mm | 30 | 30 | 30 |
| Peso | kg | 3.4 | 3.4 | 3.4 |

Livello di pressione sonora, dati conformi alla norma EN 60745:

Pressione sonora (L_{pA}) 96 dB(A), incertezza (K) 3 dB(A)

Potenza acustica (L_{WA}) 107 dB(A), incertezza (K) 3 dB(A)

Valori totali di vibrazione (somma vettoriale triax) determinati in base a EN 60745:

Foratura a martello nel calcestruzzo ($a_{n,HD}$) 14.9 m/s^2 , incertezza (K) 1,5 m/s^2

Scalpellatura ($a_{n,Cheq}$) 9.0 m/s^2 , incertezza (K) 1,5 m/s^2

Dichiarazione di conformità CE

DIRETTIVA MACCHINE



Black & Decker dichiara che i prodotti descritti nella sezione "dati tecnici" sono conformi con:

2006/42/CE, EN 60745-1, EN 60745-2-6

Questi prodotti sono conformi alla Direttiva
2004/108/CE e 2011/65/UE

Per ulteriori informazioni, contattare Black & Decker ai seguenti indirizzi o consultare il retro del manuale.

Il sottoscritto è responsabile della compilazione del file tecnico e rilascia la presente dichiarazione per conto di Black & Decker.

Kevin Hewitt
Vicepresidente progettazione globale
Black & Decker Europe, 210 Bath Road, Slough,
Berkshire, SL1 3YD
Regno Unito
30/06/2014

Garanzia

Certa della qualità dei suoi prodotti, Black & Decker offre una garanzia eccezionale. Il presente certificato di garanzia è complementare ai diritti statutari e non li pregiudica in alcun modo. La garanzia è valida entro il territorio degli Stati membri dell'Unione Europea e dell'EFTA (European Free Trade Area).

Se un prodotto Black & Decker risulta difettoso per qualità del materiale, della costruzione o per mancata conformità entro 24 mesi dalla data di acquisto, Black & Decker garantisce la sostituzione delle parti difettose, provvede alla riparazione dei prodotti se ragionevolmente usurati oppure alla loro sostituzione, in modo da ridurre al minimo il disagio del cliente a meno che:

- ◆ Il prodotto non sia stato destinato ad usi commerciali, professionali o al noleggio;
- ◆ Il prodotto non sia stato usato in modo improprio o scorretto;
- ◆ Il prodotto non abbia subito danni causati da oggetti o sostanze estranee oppure incidenti;
- ◆ Il prodotto non abbia subito tentativi di riparazione non effettuati da tecnici autorizzati né dall'assistenza Black & Decker.

Per attivare la garanzia è necessario esibire la prova comprovante l'acquisto al venditore o al tecnico autorizzato. Per individuare il tecnico autorizzato più vicino, rivolgersi alla sede Black & Decker locale, presso il recapito indicato nel presente manuale. Altrimenti un elenco completo di tutti i tecnici autorizzati Black & Decker e i dettagli completi sui contatti e i servizi post-vendita sono disponibili su Internet presso: **www.2helpU.com**

I clienti che desiderano registrare il nuovo prodotto Black & Decker e ricevere gli aggiornamenti sui nuovi prodotti e le offerte speciali, sono invitati a visitare il sito Web (**www.blackanddecker.it**). Ulteriori informazioni sul marchio e la gamma di prodotti Black & Decker sono disponibili all'indirizzo **www.blackanddecker.it**

Gebruik volgens bestemming

Uw Black & Decker roterende hamerboor is ontworpen voor het boren in hout, metaal, kunststof en steen alsmede voor schroef- en lichte beitelwerkzaamheden. Deze machine is uitsluitend bestemd voor consumentengebruik.

Veiligheidsvoorschriften

Algemene veiligheidswaarschuwingen voor elektrisch gereedschap



Waarschuwing! Lees alle veiligheidsinstructies en alle voorschriften. Wanneer de volgende waarschuwingen en voorschriften niet in acht worden genomen, kan dit een elektrische schok, brand of ernstig letsel tot gevolg hebben.

Bewaar alle waarschuwingen en instructies zorgvuldig.

Het hierna gebruikte begrip "elektrisch gereedschap" heeft betrekking op elektrische gereedschappen voor gebruik op het stroomnet (met netsnoer) of op batterijen (snoerloos).

1. **Veiligheid van de werkomgeving**
 - a. **Houd uw werkomgeving schoon en opgeruimd.**
Een rommelige en een onverlichte werkomgeving kan tot ongevallen leiden.
 - b. **Werk niet met elektrische gereedschappen in een omgeving met explosiegevaar, zoals in aanwezigheid van brandbare vloeistoffen, gassen of stof.** Elektrische gereedschappen veroorzaken vonken die het stof of de dampen tot ontsteking kunnen brengen.
 - c. **Houd kinderen en andere personen tijdens het gebruik van het elektrische gereedschap uit de buurt.** Wanneer u wordt afgeleid, kunt u de controle over het gereedschap verliezen.
2. **Elektrische veiligheid**
 - a. **De netstekker van het gereedschap moet in het stopcontact passen. De stekker mag in geen geval worden veranderd. Gebruik geen adapterstekkers in combinatie met geaarde gereedschappen.**
Onveranderde stekkers en passende stopcontacten verminderen de kans op een elektrische schok.
 - b. **Voorkom aanraking van het lichaam met geaarde oppervlakken, bijvoorbeeld buizen, verwarmingen, fornuizen en koelkasten.** De kans op een elektrische schok is groter als uw lichaam geaard is.
 - c. **Stel elektrisch gereedschap niet bloot aan regen en vocht.** In elektrisch gereedschap binnendringend water vergroot de kans op een elektrische schok.
3. **Veiligheid van personen**
 - a. **Wees alert, let goed op wat u doet en ga met verstand te werk bij het gebruik van elektrische gereedschappen. Gebruik elektrisch gereedschap niet wanneer u moe bent of onder invloed van drugs, alcohol of medicijnen.**
Een moment van onoplettendheid bij het gebruik van het gereedschap kan tot ernstige verwondingen leiden.
 - b. **Gebruik persoonlijke beschermende uitrusting. Draag altijd oogbescherming.** Persoonlijke beschermende uitrusting zoals een stofmasker, slipvaste werkschoenen, een veiligheidshelm of gehoorbescherming, gebruikt voor geschikte condities, verkleint het risico van verwondingen.
 - c. **Voorkom onbedoeld inschakelen. Zorg ervoor dat de schakelaar in de "uit"-stand staat voordat u de stekker in het stopcontact steekt, de accu plaatst of het gereedschap oppakt of draagt.** Het dragen van het gereedschap met uw vinger aan de schakelaar of het gereedschap ingeschakeld op de stroomvoorziening aansluiten kan tot ongelukken leiden.
 - d. **Verwijder stelsleutels of moersleutels voordat u het gereedschap inschakelt.** Een sleutel in een draaiend onderdeel van het elektrische gereedschap kan tot verwondingen leiden.
 - e. **Reik niet te ver. Zorg altijd dat u stevig staat en in evenwicht blijft.** Daardoor kunt u het gereedschap in onverwachte situaties beter onder controle houden.
 - f. **Draag geschikte kleding. Draag geen loshangende kleding of sieraden. Houd haren, kleding en handschoenen uit de buurt van bewegende delen.**
Loshangende kleding, sieraden en lange haren kunnen bekneld raken in bewegende delen.
 - g. **Sluit eventueel bijgeleverde stofafzuig- of stofopvangvoorzieningen aan en gebruik ze op de juiste manier.** Het gebruik van stofopvang beperkt het gevaar door stof.
- d. **Gebruik het snoer niet voor een verkeerd doel. Gebruik het snoer niet om het gereedschap te dragen, voor te trekken of om de stekker uit het stopcontact te trekken. Houd het snoer uit de buurt van hitte, olie, scherpe randen of bewegende delen.** Beschadigde of in de war geraakte snoeren vergroten de kans op een elektrische schok.
- e. **Gebruik wanneer u buitenshuis met elektrisch gereedschap werkt alleen verlengsnoeren die voor gebruik buitenshuis zijn goedgekeurd.** Het gebruik van een voor gebruik buitenshuis geschikt verlengsnoer verkleint de kans op een elektrische schok.
- f. **Gebruik een netvoeding voorzien van een reststroomvoorziening (RCD) indien het gebruiken van elektrisch gereedschap op een vluchige locatie onvermijdelijk is.** Gebruik van een reststroomvoorziening verkleint het risico van elektrische schok.

4. Gebruik en onderhoud van elektrische gereedschappen

- a. **Overbelast het gereedschap niet. Gebruik voor uw toepassing het daarvoor bestemde elektrische gereedschap.** Met het passende elektrische gereedschap werkt u beter en veiliger binnen het aangegeven capaciteitsbereik.
- b. **Gebruik geen elektrisch gereedschap waarvan de schakelaar defect is.** Elektrisch gereedschap dat niet meer kan worden in- of uitgeschakeld is gevaarlijk en moet worden gerepareerd.
- c. **Trek de stekker uit het stopcontact en/of accu alvorens het gereedschap af te stellen, accessoires te verwisselen of elektrisch gereedschap op te bergen.** Deze voorzorgsmaatregel voorkomt onbedoeld starten van het gereedschap.
- d. **Bewaar elektrische gereedschappen die niet worden gebruikt buiten bereik van kinderen. Laat personen die niet met het gereedschap vertrouwd zijn of deze aanwijzingen niet hebben gelezen niet met het gereedschap werken.** Elektrische gereedschappen zijn gevaarlijk in de handen van onervaren personen.
- e. **Verzorg het elektrische gereedschap zorgvuldig. Controleer bewegende delen van het gereedschap op goede uitlijning en soepele werking. Controleer of onderdelen niet gebroken zijn of dat de werking van het gereedschap niet op enige andere wijze nadelig wordt beïnvloed. Laat beschadigde delen repareren voordat u met het gereedschap gaat werken.** Veel ongevallen worden veroorzaakt door slecht onderhouden elektrische gereedschappen.
- f. **Houd snijgereedschappen scherp en schoon.** Zorgvuldig onderhouden snijgereedschappen met scherpe snijkanten lopen minder snel vast en zijn gemakkelijker te sturen.
- g. **Gebruik elektrische gereedschappen, toebehoren, inzetgereedschappen en dergelijke volgens deze aanwijzingen. Let daarbij op de arbeidsomstandigheden en de uit te voeren werkzaamheden.** Het gebruik van elektrische gereedschappen voor andere dan de voorziene toepassingen kan tot gevaarlijke situaties leiden.

5. Service

- a. **Laat het elektrische gereedschap alleen repareren door een gekwalificeerde reparateur en alleen met gebruik van originele vervangingsonderdelen.** Dit garandeert de veiligheid van het gereedschap.

Aanvullende veiligheidsinstructies voor elektrisch gereedschap



Waarschuwing! Aanvullende veiligheidsinstructies voor roterende hamers en beitelhamers

- ◆ **Draag gehoorbescherming.** Blootstelling aan lawaai kan gehoorbeschadiging veroorzaken.
- ◆ **Gebruik de bij het apparaat geleverde handgrepen.** Het niet in bedwang kunnen houden van het apparaat kan leiden tot letsel.
- ◆ **Houd het gereedschap alleen aan de geïsoleerde greepvlakken vast als u werkzaamheden uitvoert waarbij het zaagaccessoire verborgen stroomleidingen of de eigen kabel kan raken.** Als het mes een onder spanning staande leiding raakt, kunnen hierdoor ook de blootliggende metalen onderdelen van het elektrische apparaat onder spanning komen te staan, waardoor de bediener een schok krijgt.
- ◆ Gebruik nooit een beitelaccessoire in de roterende modus. Het accessoire zal vastlopen in het materiaal en de boor doen roteren.
- ◆ Pas klemmen of een andere praktische werkwijze toe om het werkstuk op een stabiele ondergrond vast te klemmen en te ondersteunen. Het werkstuk met de hand vasthouden of tegen het lichaam houden zorgt voor instabiliteit en kan leiden tot controleverlies.
- ◆ Controleer voordat u gaat boren in muren, vloeren of plafonds de locatie van eventueel aanwezige gas-, water- en elektriciteitsleidingen.
- ◆ Vermijd aanraking met de punt van de boor vlak na het boren, omdat deze heet kan zijn.
- ◆ Deze handleiding beschrijft het bedoelde gebruik van het apparaat. Gebruik van accessoires of hulpstukken of het uitvoeren van werkzaamheden met dit apparaat die niet in deze handleiding zijn beschreven, kan leiden tot persoonlijk letsel en/of schade aan eigendommen.

Veiligheid van anderen

- ◆ Dit apparaat is niet bedoeld voor gebruik door personen (inclusief kinderen) met beperkt lichamelijk, zintuigelijk of geestelijk vermogen, of gebrek aan ervaring en kennis, tenzij ze de supervisie of instructie is gegeven omtrent het gebruik van het apparaat door een persoon die verantwoordelijk is voor hun veiligheid.
- ◆ Houd toezicht op kinderen om te voorkomen dat zij met het apparaat gaan spelen.

Vibratie

De verklaarde trillingsafgifte in het gedeelte van de technische gegevens / conformiteitsverklaring zijn gemeten volgens een standaard testmethode vastgesteld door EN 60745 en kan worden gebruikt om apparaten met elkaar te vergelijken. De verklaarde trillingsafgifte kan ook worden gebruikt in een voorlopige beoordeling van blootstelling.

Waarschuwing! De waarde van de trillingsafgifte tijdens daadwerkelijk gebruik van elektrisch gereedschap kan afwijken van de verklaarde waarde afhankelijk op wat voor manieren het apparaat wordt gebruikt. Het trillingsniveau kan toenemen boven het aangegeven niveau.

Bij het bepalen van de trillingsblootstelling ter vaststelling van de veiligheidsmaatregelen vereist door 2002/44/EG - ter bescherming van personen die werkmattig geregeld elektrisch gereedschap gebruiken - dient een inschatting van de trillingsblootstelling de feitelijke gebruikscondities en bedieningswijze in acht te nemen, inclusief alle onderdelen van de bedieningscyclus, zoals het uitschakelen van het apparaat en het onbelast laten lopen alsmede de trekkertijd.

Labels op de machine

Op de machine vindt u de volgende pictogrammen:



Waarschuwing! De gebruiker moet de handleiding lezen om risico op letsel te verkleinen

Elektrische veiligheid



Deze machine is dubbel geïsoleerd; een aardaansluiting is daarom niet noodzakelijk. Controleer altijd of uw netspanning overeenkomt met de waarde op het typeplaatje.

- ◆ Indien het netsnoer is beschadigd, dient het ter voorkoming van gevaren te worden vervangen door de fabrikant of een erkend servicecentrum.

Onderdelen

Al naar gelang de uitvoering beschikt deze machine over de volgende onderdelen.

1. Schakelaar voor elektronisch regelbaar toerental
2. Vergrendelingsknop
3. Rechtsom/linksomschakelaar
4. Snelheidsinstelknop
5. Boorfunctie-schakelaar
6. Accessoirehouder
7. Zijhandgreep
8. Diepteaanslag

Montage

Waarschuwing! Zorg vóór aanvang van de montage dat de machine is uitgeschakeld en de netstekker van het lichtnet is losgekoppeld.

Aanbrengen van de zijhandgreep en diepteaanslag (fig. A)

- ◆ Draai de handgreep linksom totdat u de zijhandgreep (7) zoals afgebeeld op de voorkant van de machine kunt plaatsen.
- ◆ Draai de zijhandgreep in de gewenste stand.
- ◆ Steek de diepteaanslag (8) zoals afgebeeld in het montagegat.
- ◆ Zet de diepteaanslag in de gewenste stand. De maximale boordiepte is gelijk aan de afstand tussen het uiteinde van de boor en de voorzijde van de diepteaanslag.
- ◆ Maak de zijhandgreep vast door de handgreep rechtsom te draaien.

Monteren van een accessoire (fig. B)

- ◆ Reinig en smeer de schacht (9) van het accessoire.
- ◆ Trek de huls (10) naar achteren en plaats de schacht in de accessoirehouder (6).
- ◆ Duw het accessoire omlaag en draai het een beetje totdat het in de sleuven past.
- ◆ Trek aan het accessoire om te controleren of het goed vastzit. De hamerfunctie vereist dat het accessoire enkele centimeters heen en weer kan bewegen wanneer het vastzit in de accessoirehouder.
- ◆ Om het accessoire te verwijderen, trekt u de huls (10) naar achteren en neemt het accessoire uit.

KD985/KD990 - Aanbrengen van de boorhouder met sleutel (fig. C)

- ◆ Plaats de schacht (11) van de meegeleverde boorhouder (12) in de machinehouder zoals hierboven beschreven.

Waarschuwing! Gebruik bij het klopboren nooit boorhouders met sleutel.

KD985/KD990 - Aanbrengen van accessoires in de boorhouder met sleutel (fig. D)

- ◆ Open de boorhouder door de huls (13) te draaien.
- ◆ Steek de schacht van de boor of bit (14) in de boorhouder.
- ◆ Steek de boorsleutel (15) in ieder gat (16) in de zijkant van de boorhouder en draai totdat de boorhouder vast zit.

Overige risico's.

Er kunnen zich tijdens het gebruik van het gereedschap ook andere risico's voordoen die misschien niet in de bijgevoegde veiligheidswaarschuwingen worden vermeld. Deze risico's kunnen zich voordoen als gevolg van onoordeelkundig gebruik, langdurig gebruik, enz.

Zelfs als de veiligheidsvoorschriften in acht worden genomen en de veiligheidsvoorzieningen worden geïmplementeerd, kunnen bepaalde risico's niet worden vermeden. Deze omvatten:

- ◆ **Verwondingen die worden veroorzaakt door het aanraken van draaiende of bewegende onderdelen.**

- ◆ **Verwondingen die worden veroorzaakt bij het vervangen van onderdelen, bladen of accessoires.**
- ◆ **Verwondingen die worden veroorzaakt door langdurig gebruik van het gereedschap. Als u langere periodes met het gereedschap werkt, is het raadzaam om regelmatig een pauze in te lassen.**
- ◆ **Gehoorschadiging.**
- ◆ **Gezondheidsrisico's als gevolg van het inademen van stof dat door gebruik van het gereedschap wordt veroorzaakt (bijvoorbeeld tijdens het werken met hout, vooral eiken, beuken en MDF.)**

Gebruik

Waarschuwing! Laat de machine op haar eigen tempo werken. Niet overbelasten.

Waarschuwing! Controleer voordat u gaat boren in muren, vloeren of plafonds de locatie van eventueel aanwezige gas-, water- en elektriciteitsleidingen.

Selecteren van de werkmodus (fig. E)

De machine kan worden gebruikt voor drie functies. Draai de boorfunctie-schakelaar (5) naar de gewenste positie, zoals aangegeven door de symbolen.

Boren

- ◆ Voor boren in staal, hout en kunststof en voor schroevendraaien, zet u de werkmodus-schakelaar (5) in de **1** positie.
- ◆ Begin bij het schroevendraaien met een laag toerental. Bij het verwijderen van schroeven wordt het toerental automatisch verminderd.

Hamerboren

- ◆ Voor klopboren in metselwerk en beton zet u de werkmodus-schakelaar (5) in de **T** positie.
- ◆ Bij het hameren mag de machine niet stuiten en moet soepel lopen. Verhoog, indien nodig, het toerental.

Hameren

- ◆ Voor hameren met spindelvergrendeling en voor licht beitel- en bikwerk zet u de werkmodus-schakelaar (5) in de **T** positie.
- ◆ Controleer of de links/rechts-omschakelaar in de voorste stand staat.
- ◆ Draai bij het overschakelen van hamerboren naar beitelen de beitel in de gewenste stand. Draai de beitel lichtjes om de spindelvergrendeling vast te draaien, als bij het veranderen van functie weerstand voelbaar is.

De draairichting selecteren

Kies voor boren, schroeven indraaien en beitelen de draairichting rechtsom (met de klok mee). Kies voor schroeven losdraaien of voor het verwijderen van een vastgelopen boor de draairichting linksom (tegen de klok in).

- ◆ Om de draairichting rechtsom te selecteren, drukt u de links/rechts-schakelaar (3) naar links.
- ◆ Om de draairichting linksom te selecteren, drukt u de links/rechts-schakelaar naar rechts.

Waarschuwing! Verander nooit de draairichting terwijl de motor is ingeschakeld.

Instellen van de boordiepte (fig. F)

- ◆ Draai de zijhandgreep (7) los door de handgreep linksom te draaien.
- ◆ Zet de diepteaanslag (8) in de gewenste stand. De maximale boordiepte is gelijk aan de afstand tussen het uiteinde van de boor en de voorzijde van de diepteaanslag.
- ◆ Maak de zijhandgreep vast door de handgreep rechtsom te draaien.

Aan- en uitschakelen

- ◆ Om de machine in te schakelen, drukt u de variabele-snelheidsschakelaar (1) in. De machinesnelheid hangt af van hoever u de schakelaar indrukt. Zet de variabele snelheidsregelknop (4) op de gewenste snelheid.
- ◆ Gebruik snelheden 1-6 uitsluitend voor korte perioden.
- ◆ In het algemeen geldt: gebruik lage snelheden voor boren met een grote diameter, en hoge snelheden voor boren met een kleine diameter.
- ◆ Voor continu-bediening: houd de vergrendelingsknop (2) ingedrukt en laat de variabele-snelheidsschakelaar los. Deze optie is alleen beschikbaar bij het rechtsom (met de klok mee) draaien.
- ◆ Om de machine uit te schakelen, laat u de variabele-snelheidsschakelaar los. Om de machine uit te schakelen in continu-bedrijf, drukt u nogmaals op de variabele-snelheidsschakelaar en laat u hem los.

Accessoires

De prestaties van uw machine hangen af van welke accessoires u gebruikt. Black & Decker en Piranha accessoires zijn ontwikkeld om te voldoen aan hoge kwaliteitseisen en ontworpen om de prestaties van uw machine te verbeteren. Met behulp van deze accessoires haalt u het beste uit uw machine.

Onderhoud

Uw Black & Decker machine met/zonder snoer is ontworpen om gedurende langere periode te functioneren met een minimum aan onderhoud. Voortdurend tevreden gebruik is afhankelijk van correct onderhoud en regelmatig schoonmaken.

Waarschuwing! Vóór aanvang van onderhoudswerkzaamheden aan apparaten met/zonder snoer:

- ◆ Schakel het apparaat / de machine uit en haal de stekker uit het stopcontact.
- ◆ Of schakel het apparaat / de machine uit of verwijder de accu van het apparaat / de machine indien het apparaat / de machine een aparte accu heeft.
- ◆ Of laat de accu volledig leeglopen indien de accu geïntegreerd is en schakel vervolgens uit.
- ◆ Haal voor het reinigen van de oplader de stekker uit het stopcontact. Uw oplader behoeft geen ander onderhoud dan een regelmatige reiniging.
- ◆ Reinig regelmatig de ventilatieopeningen van uw apparaat/machine/oplader met behulp van een zachte borstel of een droge doek.
- ◆ Reinig regelmatig de behuizing van de motor met een vochtige doek. Gebruik geen schuur- of oplosmiddel bij het reinigen.
- ◆ Open regelmatig de boorhouder en tik zachtjes om eventueel stof uit de binnenkant te verwijderen (indien aanwezig).

Milieu



Gescheiden inzameling. Dit product mag niet met het gewone huishoudelijke afval worden weggegooid.

Wanneer uw oude Black & Deckerproduct aan vervanging toe is of het u niet langer van dienst kan zijn, gooi het dan niet bij het huishoudelijk afval. Zorg ervoor dat het product gescheiden kan worden ingezameld.



Door gebruikte producten en verpakkingen gescheiden in te zamelen, worden de materialen gerecycled en opnieuw gebruikt. Hergebruik van gerecyclede materialen voorkomt milieuvervuiling en vermindert de vraag naar grondstoffen.

Inzamelpunten voor gescheiden inzameling van elektrische huishoudproducten bij gemeentelijke vuilnisbergen of bij de verkoper waar u een nieuw product koopt, kunnen aan plaatselijke voorschriften gebonden zijn.

Black & Decker biedt de mogelijkheid tot inzamelen en recyclen van afgedankte Black & Decker producten. Om gebruik van deze service te maken, dient u het product aan een van onze servicecentra te sturen, die voor ons de inzameling verzorgen.

U kunt het adres van het dichtstbijzijnde servicecentrum opvragen via de adressen op de achterzijde van deze handleiding. U kunt ook een lijst van onze servicecentra en meer informatie m.b.t. onze klantenservice vinden op het volgende Internet-adres: www.2helpU.com

Technische gegevens

| | KD975 | KD985 | KD990 |
|---------------------|-----------------------------|-----------|-----------|
| | TYPE 3 | TYPE 3 | TYPE 3 |
| Spanning | V _{AC} 230 | 230 | 230 |
| Opgenomen vermogen | W 710 | 800 | 850 |
| Onbelast toerental | min ⁻¹ 0 - 980 | 0 - 980 | 0 - 980 |
| Slagsnelheid | min ⁻¹ 0 - 5.180 | 0 - 5.180 | 0 - 5.180 |
| Slagenergie | J 1.8 | 2.2 | 2.4 |
| Max. boorcapaciteit | | | |
| Beton | mm 22 | 24 | 26 |
| Staal | mm 13 | 13 | 13 |
| Hout | mm 30 | 30 | 30 |
| Gewicht | kg 3.4 | 3.4 | 3.4 |

Niveau van de geluidsdruk, gemeten volgens EN 60745:

Geluidsdruk (L_{pa}) 96 dB(A), onzekerheid (K) 3 dB(A)

Geluidsvermogen (L_{WA}) 107 dB(A), onzekerheid (K) 3 dB(A)

Totale trillingswaarden (triaxiale vectorsom) volgens EN 60745:

Hamerboren in beton (a_{h,HD}) 14.9 m/s², onzekerheid (K) 1.5 m/s²

Beitelen (a_{h,Chisel}) 9.0 m/s², onzekerheid (K) 1.5 m/s²

EG-conformiteitsverklaring

MACHINERICTLIJN



KD975/KD985/KD990

Black & Decker verklaart dat deze producten, zoals onder "technische gegevens" beschreven, overeenkomstig zijn met: 2006/42/EG, EN 60745-1, EN 60745-2-6

Deze producten voldoen tevens aan richtlijn 2004/108/EG en 2011/65/EU.

Neem voor meer informatie contact op met Black & Decker via het volgende adres of zie de achterzijde van de handleiding.

De ondergetekende is verantwoordelijk voor de samenstelling van de technische gegevens en geeft deze verklaring namens Black & Decker.

Kevin Hewitt

Vice-President Global Engineering
Black & Decker Europe, 210 Bath Road, Slough,
Berkshire, SL1 3YD
Verenigd Koninkrijk
30/06/2014

Garantie

Black & Decker heeft vertrouwen in zijn producten en biedt een uitstekende garantie. Deze garantiebepalingen vormen een aanvulling op uw wettelijke rechten en beperken deze niet. De garantie geldt in de lidstaten van de Europese Unie en de Europese Vrijhandelsassociatie.

Mocht uw Black & Decker product binnen 24 maanden na datum van aankoop defect raken tengevolge van materiaal- of constructiefouten, dan garanderen wij de kosteloze vervanging van defecte onderdelen, de reparatie van het product of de vervanging van het product, tenzij:

- ◆ Het product is gebruikt voor handelsdoeleinden, professionele toepassingen of verhuurdoeleinden;
- ◆ Het product onoordeelkundig is gebruikt;
- ◆ Het product is beschadigd door invloeden van buitenaf of door een ongeval;
- ◆ Reparaties zijn uitgevoerd door anderen dan onze servicecentra of Black & Decker personeel.

Om een beroep op de garantie te doen, dient u een aankoopbewijs te overhandigen aan de verkoper of een van onze servicecentra. U kunt het adres van het dichtstbijzijnde servicecentrum opvragen via de adressen op de achterzijde van deze handleiding. U kunt ook een lijst van onze servicecentra en meer informatie m.b.t. onze klantenservice vinden op het volgende Internet-adres: **www.2helpU.com**

Meld u aan op onze website **www.blackanddecker.nl** om te worden geïnformeerd over nieuwe producten en speciale aanbiedingen. Verdere informatie over het merk Black & Decker en onze producten vindt u op **www.blackanddecker.nl**

Finalidad

El taladro percutor rotativo Black & Decker se ha diseñado para taladrar madera, metales, plásticos y mampostería, así como para el atornillado y trabajos ligeros de cincelado. Esta herramienta está pensada únicamente para uso doméstico.

Instrucciones de seguridad

Advertencias de seguridad generales para herramientas eléctricas



¡Atención! Lea todas las advertencias e instrucciones de seguridad. En caso de no respetarse las advertencias e instrucciones indicadas a continuación, podría producirse una descarga eléctrica, incendio y/o lesión grave.

Conserve todas las advertencias e instrucciones para su posterior consulta. El término "herramienta eléctrica" empleado en las advertencias indicadas a continuación se refiere a la herramienta eléctrica con alimentación de red (con cable) o alimentada por pila (sin cable).

1. Seguridad del área de trabajo

- Mantenga limpia y bien iluminada el área de trabajo.**
El desorden o una iluminación deficiente en las áreas de trabajo pueden provocar accidentes.
- No utilice la herramienta eléctrica en un entorno con peligro de explosión, en el que se encuentren combustibles líquidos, gases o material en polvo.**
Las herramientas eléctricas producen chispas que pueden llegar a inflamar los materiales en polvo o vapores.
- Mantenga alejados a los niños y otras personas del área de trabajo al emplear la herramienta eléctrica.**
Una distracción le puede hacer perder el control sobre la herramienta.

2. Seguridad eléctrica

- El enchufe de la herramienta eléctrica debe corresponder a la toma de corriente utilizada.**
No es admisible modificar el enchufe en forma alguna.
No emplee adaptadores en herramientas eléctricas dotadas con una toma de tierra. Los enchufes sin modificar adecuados a las respectivas tomas de corriente reducen el riesgo de una descarga eléctrica.
- Evite que su cuerpo toque partes conectadas a tierra como tuberías, radiadores, cocinas y refrigeradores.**
El riesgo a quedar expuesto a una descarga eléctrica es mayor si su cuerpo tiene contacto con tierra.
- No exponga las herramientas eléctricas a la lluvia y evite que penetren líquidos en su interior.** Existe el peligro de recibir una descarga eléctrica si penetran ciertos líquidos en la herramienta eléctrica.

- Cuide el cable eléctrico. No utilice el cable eléctrico para transportar o colgar la herramienta eléctrica, ni tire de él para sacar el enchufe de la toma de corriente. Mantenga el cable eléctrico alejado del calor, aceite, bordes afilados o piezas móviles.**
Los cables eléctricos dañados o enredados pueden provocar una descarga eléctrica.
- Al trabajar con la herramienta eléctrica en la intemperie utilice solamente cables alargadores homologados para su uso en exteriores.** La utilización de un cable alargador adecuado para su uso en exteriores reduce el riesgo de una descarga eléctrica.
- Si fuera inevitable la utilización de una herramienta eléctrica en un lugar húmedo, utilice un suministro protegido con un dispositivo de corriente residual (RCD).** La utilización de un dispositivo de corriente residual reduce el riesgo de descarga eléctrica.

3. Seguridad personal

- Esté atento a lo que hace y emplee la herramienta eléctrica con prudencia. No utilice la herramienta eléctrica si estuviese cansado, ni tampoco después de haber consumido alcohol, drogas o medicamentos.**
El no estar atento durante el uso de una herramienta eléctrica puede provocar serias lesiones.
- Utilice equipos de protección personal. Lleve siempre protección ocular.** Los equipos de protección tales como una mascarilla antipolvo, zapatos de seguridad con suela antideslizante, casco o protectores auditivos, utilizados en condiciones adecuadas, contribuyen a reducir las lesiones personales.
- Evite una puesta en marcha involuntaria. Asegúrese de que el interruptor esté en la posición de apagado antes de conectar a la fuente de alimentación o la batería, coger o transportar la herramienta.** Si se transportan herramientas eléctricas con el dedo sobre el interruptor o si se enchufan con el interruptor encendido puede dar lugar a accidentes.
- Retire las herramientas de ajuste o llaves fijas antes de conectar la herramienta eléctrica.** Una herramienta o llave colocada en una pieza giratoria de la herramienta eléctrica puede producir lesiones al ponerse a funcionar.
- Sea precavido. Evite adoptar una posición que fatigue su cuerpo; mantenga un apoyo firme sobre el suelo y conserve el equilibrio en todo momento.** Ello le permitirá controlar mejor la herramienta eléctrica en caso de presentarse una situación inesperada.
- Lleve puesta una vestimenta de trabajo adecuada. No lleve vestidos anchos ni joyas. Mantenga su pelo, vestimenta y guantes alejados de las piezas móviles.**
La vestimenta suelta, las joyas y el pelo largo se pueden enganchar con las piezas en movimiento.

- g. **Siempre que sea posible utilizar unos equipos de aspiración o captación de polvo, asegúrese que éstos estén montados y que sean utilizados correctamente.**

El empleo de equipos de recogida de polvo reduce los riesgos derivados del polvo.

4. **Uso y cuidado de herramientas eléctricas**

- a. **No sobrecargue la herramienta eléctrica. Use la herramienta eléctrica prevista para el trabajo a realizar.** Con la herramienta eléctrica adecuada podrá trabajar mejor y más seguro dentro del margen de potencia indicado.
- b. **No utilice herramientas eléctricas con un interruptor defectuoso.** Las herramientas eléctricas que no se puedan conectar o desconectar son peligrosas y deben hacerse reparar.
- c. **Desconecte el enchufe de la fuente eléctrica y/o la batería de la herramienta eléctrica antes de realizar ajustes, cambiar accesorios o almacenar la herramienta eléctrica.** Esta medida preventiva reduce el riesgo de conectar accidentalmente la herramienta eléctrica.
- d. **Guarde las herramientas eléctricas fuera del alcance de los niños y de las personas que no estén familiarizadas con su uso.** Las herramientas eléctricas utilizadas por personas inexpertas son peligrosas.
- e. **Cuide sus herramientas eléctricas con esmero. Controle si funcionan correctamente, sin atascarse, las partes móviles de la herramienta eléctrica, y si existen partes rotas o deterioradas que pudieran afectar al funcionamiento de la herramienta. Si la herramienta eléctrica estuviese defectuosa haga que la reparen antes de volver a utilizarla.** Muchos accidentes se deben a herramientas eléctricas con un mantenimiento deficiente.
- f. **Mantenga las herramientas de corte limpias y afiladas.** Las herramientas de corte mantenidas correctamente se dejan guiar y controlar mejor.
- g. **Utilice la herramienta eléctrica, los accesorios y las puntas de la herramienta, etc. de acuerdo a estas instrucciones, teniendo en cuenta las condiciones de trabajo y la tarea a realizar.** El uso de herramientas eléctricas para trabajos diferentes de aquellos para los que han sido concebidas puede resultar peligroso.

5. **Servicio técnico**

- a. **Haga reparar su herramienta eléctrica sólo por personal técnico autorizado que emplee exclusivamente piezas de repuesto originales.** Solamente así se garantiza la seguridad de la herramienta eléctrica.

Advertencias de seguridad adicionales para herramientas eléctricas



¡Atención! Advertencias de seguridad adicionales para taladros percutores rotativos y de cincelado

- ◆ **Use protección acústica.** La exposición al ruido puede provocar la pérdida de audición.
- ◆ **Utilice las empuñaduras auxiliares que se suministran con la herramienta.** La pérdida de control puede provocar lesiones personales.
- ◆ **Sujete la herramienta eléctrica únicamente por las empuñaduras aisladas al realizar trabajos en los que el accesorio de corte pueda tocar cables eléctricos ocultos o su propio cable.** El accesorio de corte que haga contacto con cables con corriente pueden hacer que las partes metálicas al descubierto de la herramienta eléctrica provoquen una descarga al usuario.
- ◆ Nunca utilice un accesorio de cincelado en modo rotativo. El accesorio se atascará en el material y hará girar el taladro.
- ◆ Utilice mordazas u otra forma práctica para fijar y soportar la pieza de trabajo a una plataforma estable. Sujetar el trabajo a mano o contra su cuerpo hace que pierda estabilidad y puede provocar la pérdida de control.
- ◆ Antes de taladrar paredes, suelos o techos, compruebe la ubicación de cableados y tuberías.
- ◆ Evite tocar la punta de la broca inmediatamente después de taladrar, ya que estará caliente.
- ◆ En este manual de instrucciones se explica el uso previsto. El uso de otros accesorios, adaptadores, o la propia utilización de la herramienta en cualquier forma diferente de las recomendadas en este manual de instrucciones puede constituir un riesgo de lesiones a las personas y/o daños materiales.

Seguridad de otras personas

- ◆ Este aparato no está destinado para ser utilizado por personas (niños incluidos) con capacidades físicas, sensoriales o mentales reducidas, o que carezcan de experiencia y conocimiento, a menos que reciban supervisión o instrucción respecto al uso del aparato por una persona responsable de su seguridad.
- ◆ Debe vigilarse a los niños para asegurarse de que no jueguen con el aparato.

Vibración

Los valores declarados de emisión de vibración indicados en los datos técnicos y la declaración de conformidad se han medido de acuerdo a un método de prueba estándar contemplado por la EN 60745 y puede utilizarse para comparar una herramienta con otra. El valor declarado de emisión de vibración también puede utilizarse en una evaluación preliminar de exposición.

¡Atención! El valor de emisión de vibración durante el uso real de la herramienta eléctrica puede variar del valor declarado en función del modo de utilización de la herramienta. El nivel de vibración puede aumentar por encima del valor indicado.

Cuando se evalúe la exposición a la vibración con el fin de determinar las medidas de seguridad exigidas por la 2002/44/CE para proteger a las personas que utilizan herramientas eléctricas en su empleo con regularidad, una estimación de la exposición a la vibración debe considerar las condiciones reales de uso y la forma en que se utiliza la herramienta, teniendo en cuenta incluso todas las partes del ciclo de trabajo como los momentos en que la herramienta se apaga y cuando está conectada sin funcionar además del tiempo de accionamiento.

Etiquetas sobre la herramienta

En la herramienta se indican los siguientes pictogramas:



¡Atención! Para reducir el riesgo de lesiones, el usuario debe leer el manual de instrucciones.

Seguridad eléctrica



La herramienta lleva un doble aislamiento; por lo tanto no requiere una toma a tierra. Compruebe siempre que el suministro eléctrico corresponda con la tensión indicada en la placa de datos.

- ◆ Si el cable eléctrico está estropeado, debe ser sustituido por el fabricante o un servicio técnico autorizado de Black & Decker con el fin de evitar accidentes.

Características

Esta herramienta incluye alguna o todas las características siguientes.

1. Conmutador de velocidad variable
2. Botón de bloqueo
3. Interruptor de avance/retroceso
4. Mando de control de velocidad variable
5. Selector de modo de perforación
6. Portaherramientas
7. Empuñadura lateral
8. Tope de profundidad

Montaje

¡Atención! Antes de proceder al montaje, compruebe que la herramienta está apagada y desenchufada.

Instalación de la empuñadura lateral y el tope de profundidad (fig. A)

- ◆ Gire el mango en sentido contrario a las agujas del reloj hasta que pueda deslizar la empuñadura lateral (7) hacia la parte delantera de la herramienta como se muestra.
- ◆ Gire la empuñadura lateral a la posición deseada.
- ◆ Inserte el tope de profundidad (8) en el orificio de montaje como se muestra.
- ◆ Fije el tope de profundidad a la posición deseada. La profundidad máxima de perforación es igual a la distancia entre la punta de la broca y el extremo anterior del tope de profundidad.
- ◆ Apriete la empuñadura lateral, girando el mango en el sentido de las agujas del reloj.

Instalación de un accesorio (fig. B)

- ◆ Limpie y engrase el vástago (9) del accesorio.
- ◆ Tire hacia atrás del manguito (10) e inserte el vástago en el portaherramientas (6).
- ◆ Empuje el accesorio hacia abajo y gírelo ligeramente hasta que encaje en las ranuras.
- ◆ Tire del accesorio para comprobar si está correctamente ajustado. La función de perforación con percusión requiere que el accesorio pueda moverse axialmente varios centímetros cuando está colocado en el portaherramientas.
- ◆ Para quitar el accesorio, tire hacia atrás del manguito (10) y extraiga el accesorio.

KD985/KD990 - Montaje del portabrocas con llave (fig. C)

- ◆ Ajuste el vástago (11) del portabrocas (12) suministrado en el portaherramienta como se ha descrito anteriormente.

¡Atención! Nunca utilice portabrocas con llave en el modo de perforación con percusión.

KD985/KD990 - Montaje de los accesorios en el portabrocas con llave (fig. D)

- ◆ Abra el portabrocas girando el manguito (13).
- ◆ Inserte el eje de la punta (14) en el portabrocas.
- ◆ Inserte la llave del portabrocas (15) en cada orificio (16) del lateral del portabrocas y gírela al máximo.

Riesgos residuales.

El uso de esta herramienta puede producir riesgos residuales adicionales no incluidos en las advertencias de seguridad adjuntas. Estos riesgos se pueden generar por un uso incorrecto, demasiado prolongado, etc.

El cumplimiento de las normas de seguridad correspondientes y el uso de dispositivos de seguridad no evitan ciertos riesgos residuales. Estos riesgos incluyen:

- ◆ Lesiones producidas por el contacto con piezas móviles o giratorias.
- ◆ Lesiones producidas al cambiar cualquier pieza, cuchilla o accesorio.
- ◆ Lesiones producidas al usar una herramienta por un tiempo demasiado prolongado. Si utiliza una herramienta durante períodos de tiempo demasiado prolongados, asegúrese de realizar pausas con frecuencia.
- ◆ Discapacidad auditiva.
- ◆ Riesgos para la salud producidos al respirar el polvo que se genera al usar la herramienta (por ejemplo: en los trabajos con madera, especialmente de roble, haya y tableros de densidad mediana).

Uso

¡Atención! Deje que la herramienta funcione a su ritmo. No lo sobrecargue.

¡Atención! Antes de taladrar paredes, suelos o techos, compruebe la ubicación de cableados y tuberías.

Selección del modo de funcionamiento (fig. E)

La herramienta se puede utilizar en tres modos de funcionamiento. Gire el selector del modo de taladrado (5) hacia la posición deseada, según indican los símbolos.

Perforación

- ◆ Para taladrar acero, madera y plásticos y para atornillar, fije el selector del modo de funcionamiento (5) en la posición **1**.
- ◆ Cuando atornille, empiece a una velocidad baja. Cuando quite tornillos, la velocidad se reducirá automáticamente.

Perforación con percusión

- ◆ Para taladrar a martillo mampostería y hormigón, fije el selector del modo de funcionamiento (5) en la posición **T1**.
- ◆ Cuando perforo con percusión, la herramienta no debe botar, debe funcionar suavemente. Si es necesario, aumente la velocidad.

Perforación con percusión

- ◆ Para martillar con bloqueo del husillo y para trabajos ligeros de cincelado y desbastado, fije el selector del modo de funcionamiento (5) en la posición **T**.
- ◆ Asegúrese de que el interruptor adelante/atrás está en la posición adelante.
- ◆ Cuando cambie de perforación con percusión a cincelado, gire el cincel a la posición deseada. Si nota resistencia durante el cambio de modo, gire ligeramente el cincel para acoplar el bloqueo del eje.

Selección de la dirección de rotación

Para taladrar, apretar tornillos y cincelar, use la rotación hacia adelante (en el sentido de las agujas del reloj). Para aflojar tornillos o para extraer una broca atascada, use la rotación inversa (en sentido contrario a las agujas del reloj).

- ◆ Para seleccionar la rotación directa, empuje la guía de deslizamiento de avance/retroceso (3) hacia la izquierda.
- ◆ Para seleccionar la rotación inversa, empuje la guía de deslizamiento de avance/retroceso hacia la derecha.

¡Atención! No cambie nunca la dirección de rotación mientras el motor esté en marcha.

Ajuste de la profundidad de corte (fig. F)

- ◆ Afloje la empuñadura lateral (7) girando el mango en el sentido contrario a las agujas del reloj.
- ◆ Ajuste el tope de profundidad (8) a la posición deseada. La profundidad máxima de perforación es igual a la distancia entre la punta de la broca y el extremo anterior del tope de profundidad.
- ◆ Apriete la empuñadura lateral, girando el mango en el sentido de las agujas del reloj.

Encendido y apagado

- ◆ Para encender la herramienta, pulse el interruptor de velocidad variable (1). La velocidad de la herramienta dependerá de hasta dónde pulse el interruptor. Sitúe el pomo de control de velocidad variable (4) en la relación de velocidad que sea necesaria.
- ◆ Utilice las velocidades 1-6 sólo durante periodos breves.
- ◆ Como norma general, use velocidades bajas para brocas de diámetro grande y velocidades altas para brocas de diámetro más pequeño.
- ◆ Para un funcionamiento continuo, pulse el botón de bloqueo (2) y suelte el interruptor de velocidad variable. Esta opción está disponible únicamente en la rotación hacia adelante (sentido de las agujas del reloj).
- ◆ Para apagar la herramienta, suelte el interruptor de velocidad variable. Para apagar la herramienta durante el funcionamiento continuo, pulse el interruptor de velocidad variable una vez más y suéltelo.

Accesorios

El rendimiento de la herramienta dependerá del accesorio utilizado. Los accesorios de Black & Decker y Piranha están fabricados según las más altas normas de calidad para ampliar el rendimiento de la herramienta. Utilizando estos accesorios, logrará aprovechar al máximo la herramienta.

Mantenimiento

El aparato/la herramienta Black & Decker con cable/sin cable se ha diseñado para funcionar durante un largo periodo de tiempo con un mantenimiento mínimo. El funcionamiento satisfactorio continuado depende de un cuidado apropiado y una limpieza periódica de la herramienta.

¡Atención! Antes de realizar tareas de mantenimiento en herramientas eléctricas con/sin cable:

- ◆ Apague y desenchufe el aparato/la herramienta.
- ◆ O apague y retire la batería del aparato/la herramienta si el aparato/la herramienta tiene una batería aparte.
- ◆ O agote totalmente la batería si está integrada y, a continuación, apague.
- ◆ Desenchufe el cargador antes de limpiarlo. Su cargador no requiere ningún mantenimiento aparte de una limpieza periódica.
- ◆ Limpie periódicamente las ranuras de ventilación del aparato/la herramienta/el cargador con un cepillo suave o un paño seco.
- ◆ Limpie periódicamente la carcasa del motor con un paño húmedo. No utilice ninguna sustancia limpiadora abrasiva o que contenga disolventes.
- ◆ Abra periódicamente el portabrocas y golpéelo suavemente para extraer el polvo del interior (si está equipado).

Protección del medio ambiente



Separación de desechos. Este producto no debe desecharse con la basura doméstica normal.

Si llega el momento de reemplazar su producto Black & Decker o éste ha dejado de tener utilidad para usted, no lo deseche con la basura doméstica normal. Asegúrese de que este producto se deseche por separado.



La separación de desechos de productos usados y embalajes permite que los materiales puedan reciclarse y reutilizarse. La reutilización de materiales reciclados ayuda a evitar la contaminación medioambiental y reduce la demanda de materias primas.

La normativa local puede prever la separación de desechos de productos eléctricos de uso doméstico en centros municipales de recogida de desechos o a través del distribuidor cuando adquiere un nuevo producto.

Black & Decker proporciona facilidades para la recogida y el reciclado de los productos Black & Decker que hayan llegado al final de su vida útil. Para hacer uso de este servicio, devuelva su producto a cualquier servicio técnico autorizado, que lo recogerá en nuestro nombre.

Pueden consultar la dirección de su servicio técnico más cercano poniéndose en contacto con la oficina local de Black & Decker en la dirección que se indica en este manual. Como alternativa, puede consultar en Internet la lista de servicios técnicos autorizados e información completa de nuestros servicios de posventa y contactos en la siguiente dirección: www.2helpU.com

Características técnicas

| | | KD975 | KD985 | KD990 |
|---------------------------------|-------------------|-----------|-----------|-----------|
| | | TYPE 3 | TYPE 3 | TYPE 3 |
| Voltaje | V _{AC} | 230 | 230 | 230 |
| Potencia absorbida | W | 710 | 800 | 850 |
| Velocidad sin carga | min ⁻¹ | 0 - 980 | 0 - 980 | 0 - 980 |
| Frecuencia de impactos | min ⁻¹ | 0 - 5.180 | 0 - 5.180 | 0 - 5.180 |
| Energía de impacto | J | 1.8 | 2.2 | 2.4 |
| Capacidad máxima de perforación | | | | |
| Hormigón | mm | 22 | 24 | 26 |
| Acero | mm | 13 | 13 | 13 |
| Madera | mm | 30 | 30 | 30 |
| Peso | kg | 3.4 | 3.4 | 3.4 |

Nivel de la presión acústica según EN 60745:

Presión acústica (L_{pa}) 96 dB(A), incertidumbre (K) 3 dB(A)

Presión acústica (L_{WA}) 107 dB(A), incertidumbre (K) 3 dB(A)

Valores totales de vibración (suma de vector triaxial) según EN 60745:

Perforación a martillo en hormigón (a_{h,HD}) 14.9 m/s², incertidumbre (K) 1.5 m/s²

Cinzelado (a_{h,CINCEL}) 9.0 m/s², incertidumbre (K) 1.5 m/s²

Declaración de conformidad CE

DIRECTIVA SOBRE MÁQUINAS



KD975/KD985/KD990

Black & Decker declara que los productos descritos en "datos técnicos" son conformes con:

2006/42/CE, EN 90745-1, EN 60745-2-6

Estos productos también cumplen con las Directivas 2004/108/CE y 2011/65/UE.

Si desea información adicional, contacte con Black & Decker en la siguiente dirección o consulte el dorso de este manual.

El abajofirmante es responsable de la compilación del archivo técnico y hace esta declaración en nombre de Black & Decker.

Kevin Hewitt
Vice-President Global Engineering
Black & Decker Europe, 210 Bath Road, Slough,
Berkshire, SL1 3YD
Reino Unido
30/06/2014

Garantía

Black & Decker confía plenamente en la calidad de sus productos y ofrece una garantía extraordinaria. Esta declaración de garantía es una añadido, y en ningún caso un perjuicio para sus derechos estatutarios. La garantía es válida dentro de los territorios de los Estados Miembros de la Unión Europea y de los de la Zona Europea de Libre Comercio.

Si un producto Black & Decker resultará defectuoso debido a materiales o mano de obra defectuosos o a la falta de conformidad, Black & Decker garantiza, dentro de los 24 meses de la fecha de compra, la sustitución de las piezas defectuosas, la reparación de los productos sujetos a un desgaste y rotura razonables o la sustitución de tales productos para garantizar al cliente el mínimo de inconvenientes, a menos que:

- ◆ El producto haya sido utilizado con propósitos comerciales, profesionales o de alquiler;
- ◆ El producto haya sido sometido a un uso inadecuado o negligente;
- ◆ El producto haya sufrido daños causados por objetos o sustancias extrañas o accidentes;
- ◆ Se hayan realizado reparaciones por parte de personas que no sean los servicios de reparación autorizados o personal de servicios de Black & Decker.

Para reclamar en garantía, será necesario que presente la prueba de compra al vendedor o al servicio técnico de reparaciones autorizado. Pueden consultar la dirección de su servicio técnico más cercano poniéndose en contacto con la oficina local de Black & Decker en la dirección que se indica en este manual. Como alternativa, se puede consultar en Internet, en la dirección siguiente, la lista de servicios técnicos autorizados e información completa de nuestros servicios de postventa y contactos:

www.2helpU.com

Visite nuestro sitio web **www.blackanddecker.eu** para registrar su nuevo producto Black & Decker y mantenerse al día sobre nuestros productos y ofertas especiales. Encontrará información adicional sobre la marca Black & Decker y nuestra gama de productos en **www.blackanddecker.eu**

Utilização

O seu berbequim Black & Decker foi concebido para perfurar madeira, metal, plástico e maçonaria, assim como para fins de aparafusamento e aplicações de cinzelamento. Esta ferramenta destina-se apenas ao doméstico.

Instruções de segurança

Avisos de segurança gerais para ferramentas eléctricas



Advertência! Leia todos os avisos de segurança e instruções. O não cumprimento dos avisos e instruções a seguir pode resultar em choque eléctrico, incêndio e/ou graves lesões.

Guarde todos os avisos e instruções para futura referência.

O termo "ferramenta eléctrica", utilizado nas advertências que se seguem, refere-se a ferramentas eléctricas com ligação à corrente eléctrica (com fios) ou operadas a pilha (sem fios).

1. Segurança na área de trabalho

- Mantenha a sua área de trabalho limpa e bem iluminada.** Desordem ou áreas de trabalho com fraca iluminação podem causar acidentes.
- Não utilize ferramentas eléctricas em áreas com risco de explosão, nas quais se encontrem líquidos, gases ou pós inflamáveis.** As ferramentas eléctricas produzem faíscas que podem provocar a ignição de pó e vapores.
- Mantenha crianças e outras pessoas afastadas durante a utilização de ferramentas eléctricas.** As distrações podem dar origem a que perca o controlo da ferramenta.

2. Segurança eléctrica

- A ficha da ferramenta eléctrica deve caber na tomada. A ficha não deve ser modificada de modo algum. Não utilize quaisquer fichas de adaptação com ferramentas eléctricas ligadas à terra.** Fichas inalteradas e tomadas adequadas reduzem o risco de choques eléctricos.
- Evite que o corpo entre em contacto com superfícies ligadas à terra, como por exemplo tubos, radiadores, fogões e frigoríficos.** Há um risco elevado de choques eléctricos, caso o corpo seja ligado à terra.
- As ferramentas eléctricas não devem ser expostas à chuva nem a humidade.** A penetração de água numa ferramenta eléctrica aumenta o risco de choques eléctricos.
- Manuseie o cabo com cuidado. O cabo da ferramenta não deve ser utilizado para o transporte, para puxar a ferramenta, nem para retirar a ficha da tomada.**

Mantenha o cabo afastado de calor, óleo, cantos afiados ou peças em movimento. Cabos danificados ou torcidos aumentam o risco de choques eléctricos.

- Ao trabalhar com a ferramenta eléctrica ao ar livre, use um cabo de extensão apropriado para utilização no exterior.** O uso de um cabo apropriado para utilização no exterior reduz o risco de choques eléctricos.
 - Quando a utilização de uma ferramenta eléctrica num local húmido é inevitável, utilize uma fonte de alimentação protegida com um dispositivo de corrente residual (RCD).** A utilização de um RCD reduz o risco de choques eléctricos.
- #### 3. Segurança pessoal
- Mantenha-se atento, observe o que está a fazer e seja prudente durante a utilização de uma ferramenta eléctrica. Não use a ferramenta eléctrica se estiver cansado ou sob a influência de drogas, álcool ou medicamentos.** Um momento de falta de atenção durante a utilização de ferramentas eléctricas pode causar graves lesões.
 - Use equipamento de protecção pessoal. Utilize sempre óculos de protecção.** A utilização de equipamento de protecção pessoal, como por exemplo, máscara de protecção contra pó, sapatos de segurança anti-derrapantes, capacete de segurança ou protecção auricular, de acordo com o tipo e aplicação da ferramenta eléctrica, reduz o risco de lesões.
 - Evite o accionamento involuntário. Certifique-se de que o interruptor está na posição desligada antes de ligar a ferramenta à corrente eléctrica ou a uma bateria, antes de elevar ou transportar a mesma.** O transporte de ferramentas eléctricas com o dedo no interruptor ou a ligação das mesmas à corrente eléctrica com o interruptor ligado provoca acidentes.
 - Retire eventuais chaves de ajuste ou chaves de fenda, antes de ligar a ferramenta eléctrica.** Uma chave de fenda ou chave de ajuste, que se encontre numa peça móvel da ferramenta, pode dar origem a lesões.
 - Não se incline. Mantenha-se sempre bem posicionado e em equilíbrio.** Desta forma, poderá ser mais fácil controlar a ferramenta em situações inesperadas.
 - Utilize vestuário adequado. Não utilize roupas largas nem jóias. Mantenha o cabelo, roupa e luvas afastados de peças em movimento.** Roupas largas, jóias ou cabelos longos podem ser ficar presos nas peças em movimento.
 - Se for prevista a montagem de dispositivos de extracção e recolha de pó, assegure-se de que estão ligados e que são utilizados de forma correcta.** A utilização destes dispositivos reduz os riscos provocados por pó.

4. **Utilização e manutenção da ferramenta eléctrica**
- Não sobrecarregue a ferramenta eléctrica. Utilize a ferramenta eléctrica correcta para o trabalho que irá realizar.** A ferramenta correcta realizará o trabalho de forma melhor e mais segura dentro da potência indicada.
 - Não utilize a ferramenta eléctrica se o interruptor não puder ser ligado nem desligado.** Qualquer ferramenta eléctrica que não possa ser controlada através do interruptor é perigosa e deve ser reparada.
 - Desligue a ficha da tomada e/ou a bateria da ferramenta eléctrica antes de efectuar quaisquer ajustes, substituir acessórios ou armazenar a ferramenta eléctrica.** Esta medida de segurança evita que a ferramenta eléctrica seja ligada acidentalmente.
 - Mantenha as ferramentas eléctricas que não estiverem a ser utilizadas fora do alcance de crianças. Não permita que a ferramenta seja utilizada por pessoas não familiarizadas com a mesma ou que não tenham lido estas instruções.** As ferramentas eléctricas são perigosas se utilizadas por pessoas não qualificadas.
 - Efectue a manutenção das ferramentas eléctricas. Verifique se as peças móveis funcionam perfeitamente e não emperram, bem como se há peças quebradas ou danificadas que possam influenciar o funcionamento da ferramenta. Em caso de danos, solicite a reparação da ferramenta eléctrica antes da sua utilização.** Muitos acidentes têm como causa uma manutenção insuficiente das ferramentas eléctricas.
 - Mantenha as ferramentas de corte sempre afiadas e limpas.** As ferramentas de corte, sujeitas a uma manutenção adequada e com extremidades de corte afiadas, emperram com menos frequência e podem ser controladas com maior facilidade.
 - Utilize a ferramenta eléctrica, os acessórios e as brocas da ferramenta etc., de acordo com estas instruções. Considere também as condições de trabalho e o trabalho a ser efectuado.** A utilização da ferramenta eléctrica para outros fins que não os previstos pode resultar em situações perigosas.

5. Reparação

- A sua ferramenta eléctrica só deve ser reparada por pessoal qualificado e só devem ser colocadas peças sobressalentes originais.** Desta forma, é assegurada a segurança da ferramenta eléctrica.

Avisos de segurança adicionais para ferramentas eléctricas



Advertência! Avisos de segurança adicionais para berbequins e martelos de cinzelagem

- ◆ **Utilize protectores auriculares.** A exposição ao ruído poderá provocar perda de audição.
- ◆ **Utilize os punhos auxiliares fornecidos com a ferramenta.** A perda de controlo da mesma pode provocar ferimentos pessoais.
- ◆ **Segure sempre a ferramenta eléctrica pelas superfícies de pega isoladas ao efectuar trabalhos, durante os quais o acessório de corte possa entrar em contacto com cabos eléctricos escondidos ou com o cabo da ferramenta.** O contacto do acessório de corte com um cabo com tensão coloca as partes metálicas da ferramenta eléctrica sob tensão, resultando em choque eléctrico.
- ◆ Nunca utilize o acessório de cinzel em modo rotativo. O acessório ficará preso no material e fará rodar a broca.
- ◆ Utilize grampos ou outra forma prática de fixar e apoiar a peça de trabalho numa plataforma estável. Segurar a peça com a mão ou contra o corpo deixa-a instável e poderá resultar em perda de controlo.
- ◆ Antes de perfurar paredes, pisos ou tectos, verifique a localização de fios e canos.
- ◆ Evite tocar na ponta da broca imediatamente após perfurar, pois esta pode estar quente.
- ◆ Neste manual indicam-se as aplicações do aparelho. O uso de qualquer acessório ou da própria ferramenta para realizar quaisquer operações além das recomendadas neste manual de instruções pode dar origem a ferimentos e/ou danos em propriedade.

Segurança de outras pessoas

- ◆ Este aparelho não se destina a ser utilizado por pessoas (incluindo crianças) com reduzidas capacidades físicas, sensoriais ou mentais ou falta de experiência e conhecimentos, a menos que tenham recebido instruções ou sejam supervisionadas relativamente à utilização do aparelho por uma pessoa responsável pela sua segurança.
- ◆ As crianças deverão ser vigiadas para que não brinquem no aparelho.

Vibração

Os valores de emissão de vibrações declarados, indicados nos dados técnicos e na declaração de conformidade, foram medidos de acordo com um método de teste padrão providenciado por EN 60745 e podem ser utilizados para efectuar a comparação entre ferramentas. O valor de emissão de vibrações declarado pode também ser utilizado numa avaliação preliminar da exposição.

Advertência! O valor de emissão de vibrações durante a utilização da ferramenta eléctrica pode divergir do valor declarado, dependendo do modo como a ferramenta é utilizada. O nível de vibrações pode aumentar relativamente ao nível indicado.

Durante a avaliação da exposição a fim de determinar as medidas de segurança requeridas pela directiva 2002/44/CE para a protecção de pessoas que utilizam regularmente ferramentas eléctricas nas respectivas profissões, o cálculo da exposição a vibrações deve considerar as condições reais de utilização e a forma como a ferramenta é utilizada, incluindo a consideração de todas as partes do ciclo de utilização como, por exemplo, as vezes que a ferramenta é desligada e o tempo em que se encontra a funcionar sem carga para além do tempo de accionamento.

Etiquetas da ferramenta

Aparecem os seguintes pictogramas na ferramenta:



Advertência! Para reduzir o risco de ferimentos, o utilizador deve ler o manual de instruções.

Segurança eléctrica



Esta ferramenta está duplamente isolada, pelo que não necessita de fio de terra. Certifique-se sempre de que o fornecimento de energia corresponde à tensão indicada na placa de identificação.

- ◆ Se o cabo de alimentação estiver danificado, deverá ser substituído pelo fabricante ou por um Centro de Assistência autorizado pela Black & Decker, de modo a evitar perigos.

Características

Esta ferramenta inclui algumas ou todas as seguintes características.

1. Interruptor de velocidade variável
2. Botão de bloqueio
3. Selector de reversibilidade
4. Botão de controlo de velocidade variável
5. Selector do modo de perfuração
6. Suporte da ferramenta
7. Pega lateral
8. Limitador de profundidade

Montagem

Advertência! Antes da montagem, certifique-se de que a ferramenta está desligada da corrente eléctrica.

Montagem da pega lateral e limitador de profundidade (fig. A)

- ◆ Rode o punho para a esquerda até que consiga mover a pega lateral (7) para a frente da ferramenta como mostrado.
- ◆ Rode a pega lateral até à posição desejada.
- ◆ Introduza o limitador de profundidade (8) no orifício de montagem como mostrado.
- ◆ Ajuste a guia de profundidade na posição desejada. A profundidade máxima de perfuração é igual à distância entre a ponta da broca e a extremidade frontal do limitador de profundidade.
- ◆ Aperte a pega lateral rodando o punho para a direita.

Montagem dos acessórios (fig. B)

- ◆ Limpe e lubrifique a haste (9) do acessório.
- ◆ Puxe a manga (10) e insira a haste no suporte da ferramenta (6).
- ◆ Empurre o acessório e rode-o ligeiramente até encaixar nas ranhuras.
- ◆ Empurre o acessório para verificar se está correctamente bloqueado. A função de perfuração necessita do acessório para pode mover-se axialmente vários centímetros quando o suporte da ferramenta é bloqueado.
- ◆ Para remover o acessório, puxe a manga (10) e retire o acessório.

KD985/KD990 - Instalação da bucha com chave (fig. C)

- ◆ Instale a haste (11) da bucha (12) fornecida no suporte da ferramenta como acima descrito.

Advertência! Nunca utilize buchas com chave no modo de perfuração com percussão.

KD985/KD990 - Instalação dos acessórios na bucha com chave (fig. D)

- ◆ Abra a bucha rodando a manga (13).
- ◆ Introduza a broca (14) na bucha.
- ◆ Introduza a chave da bucha (15) em cada um dos orifícios (16) do corpo da bucha e rode até apertar.

Riscos residuais.

Podem surgir riscos residuais adicionais durante a utilização da ferramenta que poderão não constar nos avisos de segurança incluídos. Estes riscos podem resultar de má utilização, uso prolongado, etc.

Mesmo com a aplicação dos regulamentos de segurança relevantes e com a implementação de dispositivos de segurança, alguns riscos residuais não podem ser evitados. Incluem:

- ◆ ferimentos causados pelo contacto com peças em rotação/movimento.
- ◆ ferimentos causados durante a troca de peças, lâminas ou acessórios.

- ◆ ferimentos causados pela utilização prolongada de uma ferramenta. Quando utilizar uma ferramenta por períodos prolongados, faça intervalos regulares.
- ◆ diminuição da audição.
- ◆ problemas de saúde causados pela inalação de poeiras resultantes da utilização da ferramenta (exemplo: trabalhos em madeira, especialmente carvalho, faia e MDF.)

Utilização

Advertência! Deixe que a ferramenta funcione à vontade. Não o sobrecarregue.

Advertência! Antes de perfurar paredes, pisos ou tectos, verifique a localização de fios e canos.

Seleção do modo de operação (fig. E)

A ferramenta pode ser utilizada em três modos de operação. Rode o selector de modo de perfuração (5) até à posição desejada, como indicado pelos símbolos.

Perfurar

- ◆ Para a perfuração em aço, madeira e plástico e para o aparafusamento, defina o selector de modo de operação (5) para a posição **2**.
- ◆ Aquando do aparafusamento, inicie a baixa velocidade. Aquando da remoção de parafusos, a velocidade é automaticamente reduzida.

Perfuração com percussão

- ◆ Para a perfuração em maçonaria e betão, ajuste o selector do modo de operação (5) para a posição **T1**.
- ◆ Aquando da perfuração, a ferramenta não deverá saltar e deverá funcionar suavemente. Se necessário, aumente a velocidade.

Martelar

- ◆ Para martelar com o travamento do fuso, e para o cinzelamento e desbastamento, defina o selector de modo de operação (5) para a posição **T**.
- ◆ Assegure-se de que o interruptor de avanço/retrocesso está na posição de avanço.
- ◆ Aquando da mudança da perfuração para o cinzelamento, rode o cinzel até à posição desejada. Caso sinta resistência durante a mudança de modo, rode ligeiramente o cinzel para engatar o travamento do fuso.

Seleção da direcção da rotação

Para perfurar, apertar parafusos e cinzelamento, utilize a rotação "avançar" (sentido horário). Para soltar parafusos ou remover uma broca presa, utilize a rotação "inverter" (para a esquerda).

- ◆ Para seleccionar a rotação de avanço, empurre o selector de reversibilidade (3) para a esquerda.
- ◆ Para seleccionar a rotação inversa, empurre o selector para a direita.

Advertência! Nunca mude a direcção da rotação com o motor a funcionar.

Definir a profundidade da perfuração (fig. F)

- ◆ Afrouxe a pega lateral (7) rodando o punho para a esquerda.
- ◆ Ajuste o limitador de profundidade (8) para a posição desejada. A profundidade máxima de perfuração é igual à distância entre a ponta da broca e a extremidade frontal do limitador de profundidade.
- ◆ Aperte a pega lateral rodando o punho para a direita.

Como ligar e desligar a ferramenta

- ◆ Para ligar a ferramenta, prima o interruptor de velocidade variável (1). A velocidade da ferramenta depende de quanto se prime o interruptor. Ajuste o botão de controlo de velocidade variável (4) conforme o desejado.
- ◆ Utilize as velocidades 1-6 apenas por curtos períodos de tempo.
- ◆ Como regra geral, utilize velocidades baixas para brocas de grande diâmetro e velocidades altas para brocas de pequeno diâmetro.
- ◆ Para o funcionamento contínuo, prima o botão de bloqueio (2) e liberte o interruptor de velocidade variável. Esta opção está disponível apenas na rotação de avanço (sentido dos ponteiros do relógio).
- ◆ Para desligar a ferramenta, solte o interruptor de velocidade variável. Para desligar a ferramenta quando em funcionamento contínuo, prima novamente o interruptor de velocidade variável e solte-o.

Acessórios

O desempenho da sua ferramenta depende dos acessórios utilizados. Os acessórios da Black & Decker e Piranha são fabricados de acordo com os mais altos padrões de qualidade e são concebidos para melhorar o desempenho da sua ferramenta. Ao utilizar estes acessórios, poderá tirar um maior partido da sua ferramenta.

Manutenção

O aparelho/ferramenta com fios/sem fios da Black & Decker foi desenvolvido/a para funcionar por um longo período de tempo com um mínimo de manutenção. O funcionamento contínuo e satisfatório depende de limpeza regular e de manutenção adequada.

Advertência! Antes de realizar qualquer tipo de manutenção em ferramentas eléctricas com fios/sem fios:

- ◆ Desligue o aparelho/ferramenta e retire a ficha da tomada.
- ◆ Ou desligue e retire a bateria do aparelho/ferramenta, caso esta seja fornecida separadamente.
- ◆ Ou descarregue a bateria por completo, caso seja integrada e depois desligue o aparelho/ferramenta.
- ◆ Desligue a ficha do carregador antes de limpar. O seu carregador não requer qualquer manutenção para além de uma limpeza regular.
- ◆ Limpe regularmente as fendas de ventilação na ferramenta/aparelho/carregador utilizando uma escova macia ou pano seco.
- ◆ Limpe regularmente o compartimento do motor utilizando um pano húmido. Não utilize nenhum detergente abrasivo nem à base de solvente.
- ◆ Abra regularmente o mandril e bata no mesmo para remover qualquer poeira do interior (se equipado).

Protecção do meio ambiente



Recolha em separado. Não deve deitar este produto fora juntamente com o lixo doméstico normal.

Caso chegue o momento em que um dos seus produtos Black & Decker precise de ser substituído ou decida desfazer-se do mesmo, não o deite fora juntamente com o lixo doméstico. Torne este produto disponível para uma recolha em separado.



A recolha em separado de produtos e embalagens utilizados permite que os materiais sejam reciclados e reutilizados. A reutilização de materiais reciclados ajuda a evitar a poluição ambiental e a reduzir a procura de matérias-primas.

Os regulamentos locais poderão providenciar a recolha em separado de produtos eléctricos junto das casas, em lixeiras municipais ou junto dos fornecedores ao adquirir um novo produto.

A Black & Decker oferece um serviço de recolha e reciclagem de produtos Black & Decker que tenha atingido o fim das suas vidas úteis. Para tirar proveito deste serviço, devolva seu produto a qualquer agente de reparação autorizado, que se encarregará de recolher o equipamento em nosso nome.

Para verificar a localização do agente de reparação mais próximo de si, contacte o escritório local da Black & Decker no endereço indicado neste manual. Se preferir, consulte a lista de agentes autorizados da Black & Decker e os dados completos dos nossos serviços de atendimento pós-venda na Internet no endereço: www.2helpU.com

Dados técnicos

| | KD975 TYPE 3 | KD985 TYPE 3 | KD990 TYPE 3 |
|-------------------------------|-----------------------------|-----------------|-----------------|
| Voltagem | V _{AC} 230 | 230 | 230 |
| Potência | W 710 | 800 | 850 |
| Velocidade sem carga | min ⁻¹ 0 - 980 | 0 - 980 | 0 - 980 |
| Carga de impacto | min ⁻¹ 0 - 5.180 | 0 - 5.180 | 0 - 5.180 |
| Energia do impacto | J 1.8 | 2.2 | 2.4 |
| Capacidade máx. de perfuração | | | |
| Betão | mm 22 | 24 | 26 |
| Aço | mm 13 | 13 | 13 |
| Madeira | mm 30 | 30 | 30 |
| Peso | kg 3.4 | 3.4 | 3.4 |

Nível de pressão de ruído segundo a EN 60745:

Pressão acústica (L_{PA}) 96 dB(A), imprecisão (K) 3 dB(A)

Potência acústica (L_{WA}) 107 dB(A), imprecisão (K) 3 dB(A)

Valores totais de vibração (soma vectorial triaxial) segundo EN 60745:

Perfuração com martelo em betão (a_{h,HD}) 14.9 m/s², imprecisão (K) 1.5 m/s²

Cinzelar (a_{h,CHE}) 9.0 m/s², imprecisão (K) 1.5 m/s²

Declaração de conformidade CE

DIRECTIVA MÁQUINAS



KD975/KD985/KD990

A Black & Decker declara que os produtos descritos na secção "dados técnicos" se encontram em conformidade com:

2006/42/CE, EN 60745-1, EN 60745-2-6

Estes produtos estão também em conformidade com a Directiva 2004/108/CE e 2011/65/UE.

Para obter mais informações, queira contactar a Black & Decker através do endereço que se segue ou indicado no verso do manual.

O signatário é responsável pela compilação do ficheiro técnico e apresenta esta declaração em nome da Black & Decker.

Kevin Hewitt
Vice-presidente do Departamento de Engenharia Global
Black & Decker Europe, 210 Bath Road, Slough,
Berkshire, SL1 3YD
Reino Unido
30/06/2014

Garantia

A Black & Decker confia na qualidade de seus produtos e oferece um programa de garantia excelente. Esta declaração de garantia soma-se aos seus direitos legais e não os prejudica em nenhum aspecto. A garantia será válida nos territórios dos Estados Membros da União Europeia e na Área de Livre Comércio da Europa.

Caso algum produto da Black & Decker apresente avarias devido a defeitos de material, mão-de-obra ou ausência de conformidade no prazo de 24 meses a partir da data de compra, a Black & Decker garantirá a substituição das peças defeituosas, a reparação dos produtos que foram submetidos a uso adequado e remoção ou substituição dos mesmos para assegurar o mínimo de inconvenientes ao cliente a menos que:

- ◆ O produto tenha sido utilizado para fins comerciais, profissionais ou aluguer;
- ◆ O produto tenha sido submetido a uso incorrecto ou descuido;
- ◆ O produto tenha sofrido danos causados por objectos estranhos, substâncias ou acidentes;
- ◆ Tenha um histórico de reparações efectuadas por terceiros que não sejam os agentes autorizados ou profissionais de manutenção da Black & Decker.

Para activar a garantia, será necessário enviar a prova de compra ao revendedor ou agente de reparação autorizado. Para verificar a localização do agente de reparação mais próximo de si contacte o escritório local da Black & Decker no endereço indicado neste manual. Se preferir, consulte a lista de agentes autorizados da Black & Decker e os dados completos de nossos serviços de atendimento pós-venda na Internet no endereço: **www.2helpU.com**

Visite o nosso website **www.blackanddecker.eu** para registar o seu novo produto Black & Decker e para se manter actualizado sobre novos produtos e ofertas especiais. Estão disponíveis mais informações sobre a Black & Decker e sobre a nossa gama de produtos em **www.blackanddecker.eu**

Användningsområde

Denna slagbormaskin från Black & Decker kan användas för borring i trä, metall, plast och murverk, och dessutom för skruvdragning och lätt mejslingsarbete. Verktøget är endast avsett som konsumentverktøg.

Säkerhetsregler

Allmänna säkerhetsvarningar för motordrivna verktyg



Varning! Läs alla säkerhetsvarningar och alla anvisningar. Fel som uppstår till följd av att varningarna och anvisningarna nedan inte följts kan orsaka elchock, brand och/eller allvarliga kroppsskador.

Spara alla varningar och anvisningar för framtida referens.

Nedan använt begrepp lverktøg hänför sig till nätdrivna elverktøg (med nätsladd) och till batteridrivna elverktøg (sladdlösa).

1. Säkerhet för arbetsområdet

- Håll arbetsplatsen ren och välbelyst.** Oordning på arbetsplatsen och dåligt belyst arbetsområde kan leda till olyckor.
- Använd inte elverktøget i explosionsfarlig omgivning med brännbara vätskor, gaser eller damm.** Elverktøgen alstrar gnistor som kan antända dammet eller gaserna.
- Håll under arbetet med elverktøget barn och obehöriga personer på betryggande avstånd.** Om du störs av obehöriga personer kan du förlora kontrollen över elverktøget.

2. Elsäkerhet

- Elverktøgets stickkontakt måste passa i vägguttaget. Ändra aldrig stickkontakten på något sätt. Använd inte adapterkontakter tillsammans med skyddsjordade elverktøg.** Oförändrade stickkontakter och passande vägguttag minskar risken för elchock.
- Undvik kroppskontakt med jordade ytor som t.ex. rör, värmeelement, spisar och kylskåp.** Det finns en större risk för elchock om din kropp är jordad.
- Skydda elverktøget mot regn och väta.** Tränger vatten in i ett elverktøg ökar risken för elchock.
- Misshandla inte nätsladden. Använd inte sladden för att bära eller hänga upp elverktøget och inte heller för att dra stickproppen ur vägguttaget. Håll nätsladden på avstånd från värme, olja, skarpa kanter och rörliga maskindelar.** Skadade eller tilltrasslade sladdar ökar risken för elchock.
- Använd endast förlängningssladdar som är godkända för utomhusbruk när du arbetar med ett elverktøg utomhus.** Om en förlängningssladd avsedd för utomhusbruk används minskar risken för elchock.

- Om man måste använda ett elverktøg på en fuktig plats bör man använda ett uttag som skyddats med en restströmsanordning (RCD).** Vid användning av en restströmsanordning (RCD) minskar risken för elektriska stötår.

3. Personlig säkerhet

- Var uppmärksam, se på vad du gör och använd elverktøget med förnuft. Använd inte elverktøget när du är trött eller om du är påverkad av droger, alkohol eller mediciner.** Under användning av elverktøg kan ett ögonblicks bristande uppmärksamhet leda till allvarliga kroppsskador.
 - Använd personlig skyddsutrustning. Bär alltid skyddsglasögon.** Den personliga skyddsutrustningen, som t.ex. dammfiltermask, halkfria skyddsskor, hjälm eller hörselskydd, som bör användas under de gällande omständigheterna minskar risken för kroppsskada.
 - Undvik att verktyget startas av misstag. Kontrollera att strömställaren står i läge från innan du ansluter till vägguttaget och/eller batteripaketet, lyfter upp eller bär verktyget.** Det kan vara mycket farligt att bära ett elverktøg med fingret på strömbrytaren eller koppla det till nätet med strömbrytaren på.
 - Ta bort alla inställningsverktyg och skruvnycklar innan du startar elverktøget.** Ett verktyg eller en nyckel i en roterande komponent kan medföra kroppsskada.
 - Sträck dig inte för långt. Se till att du alltid har säkert fötäfte och balans.** På så sätt kan du lättare kontrollera elverktøget i oväntade situationer.
 - Bär lämplig klädsel. Bär inte löst hängande kläder eller smycken. Håll hår, kläder och handskar undan från rörliga delar.** Löst hängande kläder, smycken och långt hår kan dras in i av roterande delar.
 - Bär elverktøget är utrustat med dammsugnings- och -uppsamlingsutrustning, kontrollera att dessa anordningar är rätt monterade och att de används på korrekt sätt.** Dammuppsamling minskar riskerna för dammrelaterade olyckor.
- #### 4. Bruk och skötsel av elverktøg
- Överbelasta inte elverktøget. Använd rätt elverktøg för det aktuella arbetet.** Med ett lämpligt elverktøg kan du arbeta bättre och säkrare inom angivet effektområde.
 - Ett elverktøg med defekt strömbrytare får inte användas.** Ett elverktøg som inte kan kopplas till eller från är farligt och måste repareras.
 - Driv ut stickkontakten ur vägguttaget och/eller batteripaketet ur det motordrivna verktyget innan inställningar utförs, tillbehörsdelar byts ut eller det motordrivna verktyget ställs undan.** Denna skyddsåtgärd förhindrar oavsiktlig inkoppling av elverktøget.

- d. Förvara elverktygen oåtkomliga för barn. Låt inte elverktyget användas av personer som inte är förtrogna med dess användning eller inte läst denna anvisning. Elverktyg är farliga om de används av oerfarna personer.
- e. Sköt elverktyget omsorgsfullt. Kontrollera att rörliga komponenter fungerar felfritt och inte kärvar, att komponenter inte brustit eller skadats och inget annat föreligger som kan påverka elverktygets funktioner. Låt skadade delar repareras innan elverktyget används på nytt. Många olyckor orsakas av dåligt skötta elverktyg.
- f. Håll skärverktyg skarpa och rena. Omsorgsfullt skötta skärverktyg med skarpa eggar fastnar inte så lätt och går lättare att styra.
- g. Använd det motordrivna verktyget, tillbehör och insatsverktyg etc. enligt dessa anvisningar. Ta hänsyn till arbetsvillkoren och arbetsmomenten. Används elverktyget på icke ändamålsenligt sätt kan farliga situationer uppstå.

5. Service

- a. Låt endast elverktyget repareras av kvalificerad fackpersonal och med originalreservdelar. Detta garanterar att elverktygets säkerhet bibehålls.

Extra säkerhetsvarningar för elverktyg



Varning! Extra säkerhetsvarningar för borrh- och mejlsingshammare

- ◆ Använd hörselskydd. Att utsättas för buller kan leda till hörselskador.
- ◆ Använd hjälphandtagen som levererades med verktyget. Kontrollförlust kan orsaka personskador.
- ◆ Håll fast sågen endast vid de isolerade handtagen när sågning utförs på ställen där sågtillbehöret kan skada dolda elledningar eller egen nätsladd. Om sågtillbehöret kommer i kontakt med en spänningsförande ledning sätts elverktygets metalldelar under spänning vilket kan leda till elektriska stötar.
- ◆ Använd aldrig ett mejselverktyg i bořrläge. Verktyget kommer att fastna i materialet och rotera borrh.
- ◆ Använd klämmor eller något annat praktiskt sätt för att fästa och stöjda arbetsstycket på ett stabilt underlag. Om man håller arbetsstycket med handen eller mot kroppen blir det instabilt och man kan riskera att förlora kontrollen över det.
- ◆ Kontrollera var de elektriska ledningarna och rörledningarna är installerade innan du borrh i väggar, golv och tak.
- ◆ Rör inte borrhspetsen omedelbart efter det att borrh har stannat eftersom den kan vara varm.

- ◆ Verktygets avsedda bruk beskrivs i denna bruksanvisning. Bruk av tillbehör eller tillsatser, eller utförande av någon verksamhet med detta verktyg, som inte rekommenderas i denna bruksanvisning kan innebära risk för personskada och/eller skada på egendom.

Andra personers säkerhet

- ◆ Apparaten är inte avsedd att användas av personer (inklusive barn) med försvagade fysiska, sensoriska eller mentala förmågor, eller som saknar erfarenhet och kunskaper, om de inte får övervakning eller undervisning i användning av apparaten av någon som ansvarar för deras säkerhet.
- ◆ Håll uppsyn så att inga barn leker med apparaten.

Skakas

De angivna vibrationsemissionsvärdena i tekniska data / försäkringen om överensstämmelse har uppmätts enligt en standardtestmetod som tillhandahålls av EN 60745 och kan användas för att jämföra olika verktyg med varandra. De angivna vibrationsemissionsvärdena kan även användas för en preliminär beräkning av exponering.

Varning! Vibrationsemissionsvärdet under faktisk användning av elverktyget kan skilja sig från det angivna värdet beroende på hur verktyget används. Vibrationsnivån kan överstiga den angivna nivån.

Vid beräkning av vibrationsexponering för att bestämma säkerhetsåtgärder enligt 2002/44/EG för att skydda personer som regelbundet använder elverktyg i arbetet, bör en beräkning av vibrationsexponeringen ta med i beräkningen de faktiska användningsförhållandena och sättet verktyget används, inkluderande att man tar med i beräkningen alla delar av användningscykeln, förutom själva "avtryckartiden" även t.ex. när verktyget är avstängt och när det går på tomgång.

Märken på verktyget

Följande symboler finns på verktyget:



Varning! För att minska risken för skador måste användaren läsa igenom bruksanvisningen.

Elsäkerhet



Eftersom verktyget är dubbelisolerat behövs ingen jordledare. Kontrollera alltid att nätspänningen överensstämmer med värdet på märkplåten.

- ◆ Om nätsladden är skadad måste den bytas ut av tillverkaren eller en godkänd Black & Deckerserviceverkstad för att undvika en risksituation.

Detaljbeskrivning

Verktyget har en del eller samtliga av nedanstående funktioner.

1. Steglös strömbrytare
2. Låsknapp
3. Riktningssomkopplare
4. Ratt för variabel hastighet
5. Omkopplare för borrhingsläge
6. Verktvghållare
7. Sidohandtag
8. Djupstopp

Montering

Varning! Se till att verktyget är avstängt samt att det inte är anslutet innan monteringen börjar.

Montering av sidohandtaget och djupanslaget (fig. A)

- ◆ Vrid greppet motsols tills handtaget (7) kan skjutas på framtill på bormmaskinen enligt bild.
- ◆ Vrid sidohandtaget till önskat läge.
- ◆ För in djupanslaget (8) i monteringshålet enligt bilden.
- ◆ Ställ djupanslaget i önskat läge. Det största borrhjulet motsvarar avståndet mellan spetsen på borbittset och djupanslagets framkant.
- ◆ Drag åt sidohandtaget genom att vrida greppet medsols.

Montering av tillbehör (fig. B)

- ◆ Rengör och smörj verktygets skaft (9).
- ◆ Drag kragen (10) bakåt och för in skaftet i bitshållaren (6).
- ◆ Tryck verktyget nedåt och vrid det något tills det passar i spåren.
- ◆ Drag i verktyget för att kontrollera att det sitter ordentligt. Hammarfunktionen kräver att verktyget kan förflyttas flera centimeter i längdriktningen medan det sitter i hållaren.
- ◆ Avlägsna verktyget genom att dra kragen (10) bakåt och dra ut verktyget.

KD985/KD990 - Montering av nyckelchucken (fig. C)

- ◆ Montera skaftet (11) på den bifogade chocken (12) i bitshållaren enligt ovanstående beskrivning.

Varning! Använd aldrig en nyckelchucken för slagborrningsfunktionen.

KD985/KD990 - Montering av verktyg i nyckelchucken (fig. D)

- ◆ Öppna chocken genom att vrida på hylsan (13).
- ◆ För in bitskaftet (14) i chocken.
- ◆ Sätt i chucksnyckeln (15) i vart och ett av hålen (16) på sidan av chocken, och dra åt ordentligt.

Övriga risker.

Ytterligare risker som inte finns med i de bifogade säkerhetsföreskrifterna kan uppstå när verktyget används. Dessa risker kan uppstå vid felaktig eller långvarig användning, etc.

Även om alla relevanta säkerhetsföreskrifter följs och säkerhetsanordningar används kan vissa ytterligare risker inte undvikas. Dessa innefattar:

- ◆ **Skador orsakade av att roterande/rörliga delar vidrörs.**
- ◆ **Skador som uppstår vid byte av delar, blad eller tillbehör.**
- ◆ **Skador som orsakas av långvarig användning av ett verktyg. Se till att ta regelbundna raster när du använder ett verktyg under en längre period.**
- ◆ **Skador på hörseln.**
- ◆ **Hälsofaror orsakade av inandning av damm när verktyget används (exempel: arbete med trä, särskilt ek, bok och MDF.)**

Användning

Varning! Överbelasta inte maskinen, låt den arbeta i sin egen takt.

Varning! Kontrollera var de elektriska ledningarna och rörledningarna är installerade innan du borrar i väggar, golv och tak.

Arbetsläge (fig. E)

Maskinen kan användas i tre arbetslägen.

Vrid funktionsväljaren (5) till önskat läge enligt symbolerna.

Borring

- ◆ För borring i stål, trä och plast och för skruvdragning ska funktionsväljaren (5) ställas i läget **2**.
- ◆ Börja vid låg hastighet för skruvdragning. Vid utskruvning reduceras hastigheten automatiskt.

Borrhamarfunktion

- ◆ För slagborring i murverk och betong ska funktionsväljaren (5) ställas i läget **T2**.
- ◆ Vid slagborring ska maskinen löpa jämnt och inte studsas. Öka hastigheten om det behövs.

Hammarfunktion

- ◆ För hammarborring med rotationsstopp, och för lätt mejslingsarbete, ska funktionsväljaren (5) sättas i läget **T**.
- ◆ Kontrollera att riktningväljaren står i framåtläge.
- ◆ Vrid mejseln i önskat läge när du byter från slagborring till hammarfunktion. Om du känner motstånd vid ändring av läget vrider du bitset något tills rotationsspärren griper.

Val av höger-/vänstergång

När du borrar, drar i skruvar och mejslar ska verktyget rotera framåt (medurs). För att dra ur skruvar eller lossa en borr som har kört fast, rotera bakåt (moturs).

- ◆ Välj rotation framåt genom att föra reglaget (3) åt vänster.
- ◆ Välj rotation bakåt genom att föra reglaget åt höger.

Varning! Ändra aldrig rotationsriktning när motorn är igång.

Ställa in borrhjulet (fig. F)

- ◆ Lossa sidohandtaget (7) genom att vrida greppet motsols.
- ◆ Ställ djupanslaget (8) i önskat läge. Det största borrhjulet motsvarar avståndet mellan spetsen på borbisset och djupanslagets framkant.
- ◆ Drag åt sidohandtaget genom att vrida greppet medsols.

Start och stopp

- ◆ Starta verktyget genom att trycka på strömbrytaren/hastighetskontrollen (1). Verktygets hastighet beror på hur långt in strömbrytaren trycks. Ställ den steglösa kontrollknappen (4) på önskad hastighet.
- ◆ Använd hastighetsläge 1-6 endast en kort stund.
- ◆ Normalt använder man låga varvtal för borr med stor diameter, och höga varvtal för borr med mindre diameter.
- ◆ Tryck in låsknappen (2) och släpp strömbrytaren om du vill att verktyget ska gå hela tiden. Denna möjlighet finns endast i framåtläge (medsols).
- ◆ Stanna verktyget genom att släppa den steglösa strömbrytaren. För att stanna verktyget när det är inställt på kontinuerlig gång, så trycker du en gång till på strömbrytaren, och släpper sedan upp den.

Tillbehör

Verktygets användningsområde beror på vilket tillbehör du väljer. Black & Decker- och Piranhatillbehören är av hög kvalitet. Genom att använda dessa tillbehör kan du få ut mesta möjliga av verktyget.

Underhåll

Ditt Black & Decker-verktyg, med eller utan nätkabel, har tillverkats för att fungera under lång tid med ett minimum av underhåll. Med rätt underhåll och regelbunden rengöring behåller verktyget sin prestanda.

Varning! Före varje typ av underhåll på nätanlutna/sladdlösa elverktyg:

- ◆ Stäng av apparaten/verktyget och drag ur kontakten.
- ◆ Eller stäng av och ta bort batteriet från utrustningen/verktyget om utrustningen/verktyget har ett separat batteripaket.
- ◆ Eller töm batteriet helt om det är inbyggt och stäng sedan av.
- ◆ Tag ur laddarkontakten före rengöring. Laddaren behöver inget underhåll förutom regelbunden rengöring.

- ◆ Rengör regelbundet ventilationsöppningarna på apparaten/verktyget/laddaren med en mjuk borste eller torr trasa.
- ◆ Rengör kåpan regelbundet med en fuktig trasa. Använd aldrig rengöringsmedel med lösnings- eller slipmedel i.
- ◆ Öppna chucken regelbundet och knacka på den för att avlägsna eventuellt damm som hamnat inuti den (när den är monterad).

Miljöskydd



Särskild insamling. Denna produkt får inte kastas bland vanliga hushållssopor.

Om du någon gång i framtiden behöver ersätta din Black & Decker-produkt med en ny, eller inte längre behöver den, ska du inte kasta den i hushållssoporna. Denna produkt skall lämnas till särskild insamling.



Efter insamling av använda produkter och förpackningsmaterial kan materialen återvinnas och användas på nytt. Användning av återvunna material skonar miljön och minskar förbrukningen av råvaror.

Enligt lokal lagstiftning kan det förekomma särskilda insamlingar av uttjänt elutrustning från hushåll, antingen vid kommunala miljöstationer eller hos detaljhandlaren när du köper en ny produkt.

Black & Decker erbjuder en insamlings- och återvinningstjänst för Black & Decker-produkter när de en gång har tjänat ut. För att använda den här tjänsten lämnar du in produkten till en auktoriserad Black & Decker-reparatör/representant som tar hand om den för din räkning.

Närmaste auktoriserad Black & Decker-representant finner du genom det lokala Black & Decker-kontoret på adressen i den här manualen. Annars kan du söka på Internet, på listan över auktoriserade Black & Decker-representanter och alla uppgifter om vår kundservice och andra kontakter www.2helpU.com

Tekniska data

| | | KD975 TYPE 3 | KD985 TYPE 3 | KD990 TYPE 3 |
|-----------------------|-------------------|-----------------|-----------------|-----------------|
| Spänning | V_{AC} | 230 | 230 | 230 |
| Ineffekt | W | 710 | 800 | 850 |
| Obelastad hastighet | min^{-1} | 0 - 980 | 0 - 980 | 0 - 980 |
| Slagfrekvens | min^{-1} | 0 - 5.180 | 0 - 5.180 | 0 - 5.180 |
| Slagkraft | J | 1.8 | 2.2 | 2.4 |
| Maximal borrkapacitet | | | | |
| Betong | mm | 22 | 24 | 26 |
| Stål | mm | 13 | 13 | 13 |
| Trä | mm | 30 | 30 | 30 |
| Vikt | kg | 3.4 | 3.4 | 3.4 |

Bullernivå, uppmätt enligt EN 60745:

Bullernivå (L_{pA}) 96 dB(A), avvikelse (K) 3 dB(A)Ljudeffekt (L_{WA}) 107 dB(A), avvikelse (K) 3 dB(A)

Vibrationens totala värde (treaxelvektorsumma) bestämd enligt EN 60745:

Hammarboring i betong ($a_{h,HD}$) 14.9 m/s^2 , avvikelse (K) 1.5 m/s^2 Mejsling ($a_{h,Cross}$) 9.0 m/s^2 , avvikelse (K) 1.5 m/s^2

EC-förklaring om överensstämmelse

MASKINDIREKTIVET



KD975/KD985/KD990

Black & Decker deklarerar att dessa produkter, beskrivna under "tekniska data", är tillverkade i överensstämmelse med: 2006/42/EG, EN 60745-1, EN 60745-2-6

De här produkterna överensstämmer även med direktiven 2004/108/EG och 2011/65/EU.

För mer information, vänligen kontakta Black & Decker på följande adress eller den som anges på handbokens baksida.

Undertecknad är ansvarig för sammanställningen av den tekniska filen och gör denna försäkran som representant för Black & Decker.

Kevin Hewitt
Vice-President Global Engineering
Black & Decker Europe, 210 Bath Road, Slough,
Berkshire, SL1 3YD
Storbritannien
30/06/2014

Reservdelar / reparationer

Reservdelar finns att köpa hos auktoriserade Black & Decker verkstäder, som även ger kostnadsförslag och reparerar våra produkter.

Förteckning över våra auktoriserade verkstäder finns på Internet, vår hemsida www.blackanddecker.se samt www.2helpU.com

Garanti

Black & Decker garanterar att produkten är fri från material- och/eller fabriktionsfel vid leverans till kund. Garantin är i tillägg till konsumentens lagliga rättigheter och påverkar inte dessa. Garantin gäller inom medlemsstaterna i Europeiska Unionen och i det Europeiska Frihandelsområdet.

Om en Black & Decker produkt går sönder på grund av material- och/eller fabriktionsfel eller brister i överensstämmelse med specifikationen, inom 24 månader från köpet, åtar sig Black & Decker att reparera eller byta ut produkten med minsta besvär för kunden.

Garantin gäller inte för fel som beror på:

- ◆ normalt slitage
- ◆ felaktig användning eller skötsel
- ◆ att produkten skadats av främmande föremål, ämnen eller genom olyckshändelse

Garantin gäller inte om reparation har utförts av någon annan än en auktoriserad Black & Decker verkstad.

För att utnyttja garantin skall produkten och inköpskvittot lämnas till återförsäljaren eller till en auktoriserad verkstad senast 2 månader efter det att felet har upptäckts. För information om närmaste auktoriserad verkstad; kontakta det lokala Black & Decker kontoret på den adress som är angiven i bruksanvisningen. En lista på alla auktoriserade verkstäder samt servicevillkor finns även tillgängligt på Internet, adress: www.2helpU.com

Besök vår webbplats www.blackanddecker.se för att registrera din nya Black & Decker-produkt samt för att erhålla information om nya produkter och specialerbjudanden. Vidare information om märket Black & Decker och vårt produktsortiment kan återfinnas på www.blackanddecker.se

Bruksområder

Din roterende borehammer fra Black & Decker er utformet for boring i tre, metall, plast og murverk, samt bruk som skrutrekker og for lett meisling. Verktøyet er tiltenkt kun som konsumentverktøy.

Sikkerhetsinstruksjoner

Generelle sikkerhetsadvarsler for elektroverktøy



Advarsel! Les alle sikkerhetsadvarsler og alle instruksjoner. Hvis advarsler og instruksjoner ikke følges, kan det medføre elektrisk støt, brann og/eller alvorlige skader.

Ta vare på alle advarsler og instruksjoner for fremtidige oppslag. Uttrykket «elektroverktøy» i alle advarslene nedenfor gjelder for strøm-drevne elektroverktøy (med ledning) og batteridrevne elektroverktøy (uten ledning).

1. Sikkerhet i arbeidsområdet

- Hold arbeidsområdet rent og godt opplyst.** Rotete arbeidsområder med dårlig belysning kan føre til ulykker.
- Ikke arbeid med elektroverktøy i eksplosjonsfarlige omgivelser hvor det finnes brennbare væsker, gass eller støv.** Elektroverktøy forårsaker gnister som kan antenne støv eller røyk.
- Hold barn og andre personer unna når elektroverktøyet brukes.** Hvis du blir forstyrret under arbeidet, kan du miste kontrollen.

2. Elektrisk sikkerhet

- Støpelet til elektroverktøyet må passe inn i stikkontakten. Støpelet må ikke forandres på noen som helst måte. Ikke bruk adapterstøpsler sammen med jordete elektroverktøy.** Bruk av originale støpsler og passende stikkontakter reduserer risikoen for elektrisk støt.
- Unngå kroppskontakt med jordete overflater som rør, radiatorer, komfyrer og kjøleskap.** Det er større fare for elektrisk støt hvis kroppen din er jordet.
- Utsett ikke elektroverktøy for regn eller fuktighet.** Dersom det kommer vann i et elektroverktøy, øker risikoen for elektrisk støt.
- Unngå uforansvarlig behandling av ledningen. Elektroverktøyet må aldri bæres eller trekkes etter ledningen, og trekk heller ikke ut støpelet ved å rykke i ledningen. Hold ledningen unna varme, olje, skarpe kanter eller bevegelige deler.** Med skadde eller sammenflokete ledninger øker risikoen for elektrisk støt.
- Når du arbeider utendørs med et elektroverktøy, må du kun bruke en skjøteledning som er godkjent til utendørs bruk.** Ved å bruke en skjøteledning som er egnet for utendørs bruk, reduseres risikoen for elektrisk støt.

- Hvis du må bruke et elektrisk verktøy på et fuktig sted, må du bruke en forsyning som er beskyttet med en reststrømsanordning (RCD).** Bruk av en RCD reduserer risikoen for støt.

3. Personssikkerhet

- Vær oppmerksom, pass på hva du gjør og vis fornuft når du arbeider med et elektroverktøy. Ikke bruk elektroverktøy når du er trett eller er påvirket av narkotika, alkohol eller medikamenter.** Et øyeblikks uoppmerksomhet under bruk av verktøyet kan føre til alvorlige personskader.
 - Bruk personlig verneutstyr. Bruk alltid vernebriller.** Verneutstyr som støvmaske, sko med gode såler, hjelm og hørselsvern bør brukes for å redusere risikoen for personskade.
 - Unngå utilsiktet oppstart. Påse at bryteren er i av-stilling før du kopler til strøm og/eller batteripakke, plukker opp eller bærer verktøyet.** Hvis du bærer et elektrisk verktøy med fingeren på bryteren, eller hvis du setter strøm på et verktøy som har bryteren slått på, inviterer du til ulykker.
 - Fjern innstillingsverktøy eller skrunøkler før du slår på elektroverktøyet.** Et verktøy eller en nøkkel som befinner seg i en roterende del kan føre til personskade.
 - Ikke strekk deg for langt. Pass på at du alltid har sikkert fotfeste og god balanse.** Da kan du kontrollere elektroverktøyet bedre i uventede situasjoner.
 - Bruk alltid egnede klær. Ikke bruk løstsittende klær eller smykker. Hold hår, klær og hansker unna bevegelige deler.** Løstsittende klær, smykker eller langt hår kan komme inn i bevegelige deler.
 - Hvis det kan monteres støvavsug- og oppsamlingsinnretninger, må du forvisse deg om at disse er tilkoblet og brukes på riktig måte.** Bruk av støvavsug reduserer farer i forbindelse med støv.
- #### 4. Aktsom håndtering og bruk av elektroverktøy
- Ikke bruk makt på elektroverktøyet. Bruk et elektroverktøy som er beregnet på den type arbeid du vil utføre.** Med et passende elektroverktøy arbeider du bedre og sikrere i det angitte effektområdet.
 - Ikke bruk elektroverktøyet hvis det ikke lar seg slå på og av med bryteren.** Et elektroverktøy som ikke kan kontrolleres med bryteren er farlig og må repareres.
 - Trekk støpelet ut av stikkontakten og/eller kople fra batteripakken før du utfører innstillinger på et elektrisk verktøy, skifter tilbehør eller legger verktøyet bort.** Disse tiltakene reduserer risikoen for en utilsiktet start av elektroverktøyet.

- d. **Elektroverktøy som ikke er i bruk må oppbevares utliggjelig for barn. Ikke la verktøyet brukes av personer som ikke er fortrolig med det eller som ikke har lest disse bruksanvisningene.** Elektroverktøy er farlige når de brukes av uerfarne personer.
- e. **Vær nøye med vedlikehold av elektroverktøy. Kontroller om bevegelige deler fungerer feilfritt og ikke klemmes fast, om deler er brukket eller skadet og andre forhold som kan innvirke på elektroverktøys funksjon. Hvis elektroverktøyet er skadet, må det repareres før bruk.** Dårlig vedlikeholdte elektroverktøy er årsaken til mange uhell.
- f. **Hold skjæreverktøy skarpe og rene.** Godt vedlikeholdte skjæreverktøy med skarpe egger setter seg ikke så ofte fast og er lettere å føre.
- g. **Bruk elektroverktøy, tilbehør, bor osv. i henhold til disse instruksjonene. Ta hensyn til arbeidsforholdene og arbeidet som skal utføres.** Bruk av elektroverktøy til andre formål enn det som er angitt, kan føre til farlige situasjoner.
5. **Service**
- a. **Elektroverktøyet ditt skal alltid repareres av kvalifisert personell og kun med originale reservedeler.**
 Dette sikrer at elektroverktøys sikkerhet opprettholdes.

Ekstra sikkerhetsadvarsler for elektroverktøy



Advarsel! Utfyllende sikkerhetsadvarsler for roterende borehammere

- ◆ **Bruk hørselvern.** Utsettelse for støy kan forårsake hørselstap.
- ◆ **Bruk ekstrahåndtakene som følger med verktøyet.** Hvis du mister kontrollen, kan det oppstå personskade.
- ◆ **Hold elektroverktøyet i de isolerte gripeflatene når du utfører arbeid der skjæretilbehøret kan komme i kontakt med skjulte ledninger eller sin egen kabel.** Kontakt med en strømførende ledning vil gjøre elektroverktøys metalldele strømførende og gi operatøren støt.
- ◆ **Bruk aldri et meiseltilbehør i rotasjonsmodus.** Tilbehøret vil sette seg fast i materialet og spinne boremaskinen.
- ◆ **Bruk klemmer eller en annen praktisk måte til å feste arbeidsemnet til et stabilt underlag.** Arbeidsemnet blir ustabil og du mister kontroll dersom du holder det i hånden eller inn mot kroppen.
- ◆ **Før drilling i vegger, gulv eller tak, må du undersøke hvor ledninger og rør befinner seg.**
- ◆ **Unngå å røre borspissen rett etter at du har boret, da den kan være varm.**
- ◆ **Denne instruksjonshåndboken forklarer beregnet bruksmåte.** Bruk bare tilbehør og utstyr som anbefales i bruksanvisningen.

Bruk av annet verktøy eller tilbehør kan medføre risiko for skade på person og/eller utstyr.

Andre personers sikkerhet

- ◆ **Apparatet er ikke beregnet til å brukes av personer (inkludert barn) med redusert fysisk, sansemessig eller mental kapasitet eller mangel på erfaring og kunnskap, med mindre de er under oppsyn eller har fått opplæring i bruk av apparatet av en person som har ansvaret for deres sikkerhet.**
- ◆ **Barn må ha tilsyn for å sikre at de ikke leker med apparatet.**

Vibrasjon

De erklærte vibrasjonsnivåene i avsnittet Tekniske Data / Samsvarserklæring er målt i samsvar med en standard testmetode som gis av EN 60745, og kan brukes til å sammenligne et verktøy med et annet. Erklært vibrasjonsnivå kan også brukes i en foreløpig vurdering av eksponering.

Advarsel! Vibrasjonsnivået ved faktisk bruk av elektroverktøyet kan variere fra erklært verdi, avhengig av måten verktøyet brukes på. Vibrasjonsnivået kan øke over det oppgitte nivået.

Når du vurderer eksponering til vibrasjon for å bestemme sikkerhetstiltak som anbefalt i 2002/44/EF for å beskytte personer som jevnlig bruker elektroverktøy, bør en estimering av eksponeringen ta hensyn til de faktiske bruksforholdene og måten verktøyet brukes på. Dette inkluderer alle deler av brukssyklusen som f.eks. tidsperioder da verktøyet er slått av og når det går uten belastning, i tillegg til faktisk arbeidstid.

Etiketter på verktøyet

Følgende symboler befinner seg på verktøyet:



Advarsel! Bruker må lese bruksanvisningen for å redusere faren for skader.

Elektrisk sikkerhet



Dette apparatet er dobbeltisolert. Derfor er ikke jording nødvendig. Kontroller alltid at nettspenningen er i overensstemmelse med spenningen på typeskiltet.

- ◆ Hvis strømledningen skades, må den skiftes ut av fabrikanten eller et autorisert Black & Decker servicesenter for å unngå fare.

Egenskaper

Dette verktøyet har noen av eller alle disse funksjonene.

1. Trinnløs strømbryter
2. Låseknapp
3. Bryter for høyre-/venstregange

4. Knapp for variabel hastighet
5. Velger for drillmodus
6. Verktøyholder
7. Sidehåndtak
8. Dybdestopp

Montering

Advarsel! Før monteringen, må du passe på at verktøyet er slått av og at kontakten er trukket ut.

Sette på sidehåndtaket og dybdestoppet (fig. A)

- ◆ Drei grepet mot klokken til du kan skyve sidehåndtaket (7) inn på forsiden av verktøyet, som vist.
- ◆ Drei sidehåndtaket til ønsket posisjon.
- ◆ Sett dybdestoppet (8) inn i festehullet, som vist.
- ◆ Still dybdestoppet til ønsket posisjon. Maksimal drilledybde tilsvarer avstanden mellom tuppen av drillen og frontenden av dybdestoppet.
- ◆ Stram sidehåndtaket ved å dreie det med klokken.

Montere tilbehør (fig. B)

- ◆ Rengjør skaftet (9) på tilbehøret og sett det inn med smørefet.
- ◆ Trekk tilbake kragen (10) og sett skaftet inn i verktøyholderen (6).
- ◆ Skyv tilbehøret ned og vri det forsiktig til det passer i sporene.
- ◆ Trekk i tilbehøret for å finne ut om det sitter skikkelig. Slagborfunksjonen krever at tilbehøret må kunne bevegese flere centimeter aksialt når det er festet i verktøyholderen.
- ◆ Tilbehøret kan fjernes ved at du trekker tilbake kragen (10) og trekker det ut.

KD985/KD990 - Montere chuck med nøkkel (fig. C)

- ◆ Monter skaftet (11) til den chucken (12) som fulgte med, i verktøyholderen, som beskrevet ovenfor.

Advarsel! Bruk aldri nøkkelchucker i slagbormodus.

KD985/KD990 - Montering av tilbehøret i chucken med nøkkel (fig. D)

- ◆ Åpne chucken ved å dreie på kragen (13).
- ◆ Sett bitakselen (14) inn i chucken.
- ◆ Sett chucknøkkelen (15) inn i hvert av hullene (16) på siden av chucken, og drei til det er stramt.

Andre risikoer.

Ved bruk av verktøyet kan det oppstå ytterligere risikoer som kanskje ikke er inkludert i sikkerhetsadvarslene som følger med. Disse risikoene kan bli forårsaket av feil bruk, langvarig bruk osv.

Selv om de relevante sikkerhetsbestemmelsene blir fulgt, og sikkerhetstiltakene blir gjennomført, kan visse gjenværende risikoer ikke unngås. Disse omfatter:

- ◆ Personskader som forårsakes av berøring av en roterende/bevegelig del.
- ◆ Personskader som forårsakes av at en del, et blad eller tilbehør endres.
- ◆ Personskader som forårsakes av langvarig bruk av et verktøy. Når du bruker et verktøy i lange perioder, må du sørge for å ta regelmessige pauser.
- ◆ Svekket hørsel.
- ◆ Helsefarer som forårsakes av innånding av støv som dannes når du bruker verktøyet (eksempel: arbeid med tre, spesielt eik, bøk og MDF).

Bruk

Advarsel! La verktøyet jobbe med sin egen hastighet. Ikke overbelast det.

Advarsel! Før drilling i vegger, gulv eller tak, må du undersøke hvor ledninger og rør befinner seg.

Velge driftsmodus (fig. E)

Verktøyet kan brukes i tre driftsmodi. Roter drillmodusvelgeren (5) mot den påkrevde posisjonen, som vist med symbolene.

Boring

- ◆ Ved boring i stål og treverk og for bruk som skrutrekker, stilles driftsmodusvelgeren (5) til posisjonen **1**.
- ◆ Når drillen skal brukes som skrutrekker, må du starte med lav hastighet. Ved fjerning av skruer reduseres hastigheten automatisk.

Bruke slagbor

- ◆ Ved bruk av slagbor i murverk og betong stilles driftsmodusvelgeren (5) til posisjonen **T**.
- ◆ Ved bruk av slagboret, skal verktøyet gå jevnt, uten å hoppe. Øk hastigheten, om nødvendig.

Hamring

- ◆ For hamring med spindellås og for lett meisling og avsponing må du stille driftsmodusvelgeren (5) i posisjonen **T**.
- ◆ Kontroller at bryteren for høyre-/venstregange står på forover.
- ◆ Når du går over fra bruk av slagbor til meisling, må du vri meiselen til den ønskede posisjonen. Hvis det kjennes motstand i verktøyet ved endring av driftsmodus, må meiselen vris litt, slik at spindelen går i lås.

Velge rotasjonsretning

Til boring, isetting av skruer og meisling skal verktøyet rotere forover (med klokken). For å løse skruer eller fjerne en blokkert drillbit bruker du rotasjon bakover (mot klokken).

- ◆ For å velge rotasjon forover trykker du bryteren (3) mot venstre.
- ◆ For å velge rotasjon bakover trykker du bryteren mot høyre.

Advarsel! Du må aldri bytte rotasjonsretning mens motoren er i gang.

Stille inn bordybden (fig. F)

- ◆ Slakne sidehåndtaket (7) ved å dreie det mot klokken.
- ◆ Still dybdestoppet (8) til ønsket posisjon. Maksimal drilledybde tilsvarer avstanden mellom tuppen av drillen og frontenden av dybdestoppet.
- ◆ Stram sidehåndtaket ved å dreie det med klokken.

Start og stopp

- ◆ Trykk på den trinnløse hastighetsbryteren (1) for å slå verktøyet på. Verktøyets hastighet er avhengig av hvor langt inn du trykker bryteren. Sett knappen for variable hastighet (4) på ønsket hastighet.
- ◆ Bruk hastighetene 1-6 kun i korte intervaller.
- ◆ Vanligvis bør en bruke lave hastigheter til bor med stor diameter og høye hastigheter for bor med mindre diameter.
- ◆ Trykk på låseknappen (2) for kontinuerlig drift, og slipp den trinnløse strømbryteren. Dette alternativet er bare tilgjengelig ved rotasjon forover (med klokken).
- ◆ Slipp den trinnløse strømbryteren for å slå verktøyet av. Slå av verktøyet når det er i kontinuerlig drift ved å trykke en gang til på strømbryteren og slippe den.

Tilbehør

Verktøyets bruksområde er avhengig av hvilket tilbehør du velger. Tilbehør fra Black & Decker og Piranha er utformet i henhold til høye kvalitetsstandarder og er utformet for å gi optimal ytelse ved bruk sammen med ditt verktøy. Når du bruker dette tilbehøret, får du optimal ytelse fra ditt verktøy.

Vedlikehold

Ditt Black & Decker-apparat/verktøy med eller uten ledning er konstruert for å være i drift over en lang periode med et minimum av vedlikehold. Det er avhengig av godt vedlikehold og regelmessig rengjøring for å fungere som det skal til enhver tid.

Advarsel! Før du utfører vedlikehold på elektroverktøy med ledning eller batteri:

- ◆ Slå av og trekk ut støpselet av kontakten.
- ◆ Eller slå av og ta batteriet ut av apparatet/verktøyet hvis det har en separat batteripakke.
- ◆ Eller kjør batteriet helt tomt hvis det er innebygd, for deretter å slå av.
- ◆ Trekk ut kontakten før du rengjør laderen. Laderen din behøver ikke annet vedlikehold enn at den rengjøres med jevne mellomrom.

- ◆ Rengjør ventilasjonsåpningene på apparatet/verktøyet/laderen regelmessig med en myk børste eller en tørr klut.
- ◆ Rengjør motorhuset regelmessig med en fuktig klut. Ikke bruk slipende eller løsemiddelbaserte rengjøringsmidler.
- ◆ Åpne opp chucken regelmessig, og slå lett på den for å fjerne eventuelt støv fra innsiden (når den er innebygd).

Miljøvern



Kildesortering. Dette produktet må ikke kastes i det vanlige husholdningsavfallet.

Hvis du finner ut at Black & Decker-produktet ditt må skiftes ut, eller hvis du ikke lenger har bruk for det, må du unnlate å kaste det sammen med det vanlige husholdningsavfallet. Sørg for at dette produktet gjøres tilgjengelig for kildesortering.



Kildesortering av brukte produkter og emballasje gjør det mulig å resirkulere materialer og bruke dem igjen. Gjenbruk av resirkulerte materialer bidrar til å forhindre forurensning av miljøet og reduserer behovet for råmaterialer.

Lokale regelverk kan legge tilrette for kildesortering av elektriske produkter fra husholdningen, ved kommunale deponier eller gjennom forhandleren når du kjøper et nytt produkt.

Black & Decker har tilrettelagt for innsamling og resirkulering av Black & Decker-produkter etter at de har utspilt sin rolle. Ønsker du å benytte deg av denne tjenesten, returnerer du produktet ditt til et autorisert serviceverksted, som tar det imot og formidler det videre.

Du kan få adressen til ditt nærmeste autoriserte serviceverksted ved å kontakte ditt lokale Black & Decker-kontor på adressen oppgitt i denne håndboken. Du kan også finne en komplett liste over autoriserte Black & Decker-serviceverksteder og utfyllende informasjon om vår etter salg-service og kontaktnumre på Internett på følgende adresse:

www.2helpU.com

Tekniske data

| | | KD975 TYPE 3 | KD985 TYPE 3 | KD990 TYPE 3 |
|---------------------|-------------------|-----------------|-----------------|-----------------|
| Spenning | V_{AC} | 230 | 230 | 230 |
| Inn-effekt | W | 710 | 800 | 850 |
| Hastighet ubelastet | min^{-1} | 0 - 980 | 0 - 980 | 0 - 980 |
| Slagfrekvens | min^{-1} | 0 - 5.180 | 0 - 5.180 | 0 - 5.180 |
| Slagenergi | J | 1.8 | 2.2 | 2.4 |
| Maks. borekapasitet | | | | |
| Betong | mm | 22 | 24 | 26 |
| Stål | mm | 13 | 13 | 13 |
| Tre | mm | 30 | 30 | 30 |
| Vekt | kg | 3.4 | 3.4 | 3.4 |

Lydnivået, målt i henhold til EN 60745:

Lydtrykk (L_{pA}) 96 dB(A), usikkerhet (K) 3 dB(A)Lydeffekt (L_{WA}) 107 dB(A), usikkerhet (K) 3 dB(A)

Totalverdier, vibrasjon (triax vektorsum) bestemt ifølge EN 60745:

Hammerboring i betong ($a_{h,HD}$) 14.9 m/s^2 , usikkerhet (K) 1.5 m/s^2 Meising ($a_{h,CMB}$) 9.0 m/s^2 , usikkerhet (K) 1.5 m/s^2

Samsvarserklæring for EU

MASKINDIREKTIVET



KD975/KD985/KD990

Black & Decker erklærer at produktene som beskrives under "tekniske data" oppfyller kravene til: 2006/42/EF, EN 660745-1, EN 60745-2-6

Disse produktene er også i samsvar med direktiv 2004/108/EF og 2011/65/EU.

For mer informasjon, kontakt Black & Decker på følgende adresse eller se bakerst i håndboken.

Undertegnede er ansvarlig for sammenstillingen av den tekniske filen og avgir denne erklæringen på vegne av Black & Decker.

Kevin Hewitt
Visepresident, Global Engineering
Black & Decker Europe, 210 Bath Road, Slough,
Berkshire, SL1 3YD
Storbritannia
30/06/2014

Reservdeler / reparasjoner

Reservdeler kan kjøpes hos autoriserte Black & Decker serviceverksteder, som også gir kostnadsoverslag og reparerer våre produkter.

Oversikt over våre autoriserte serviceverksteder finnes på Internet, vår hjemmeside www.blackanddecker.no samt www.2helpU.com

Garanti

Black & Decker garanterer at produktet ikke har material- og/eller fabrikkasjonsfeil ved levering til kunde. Garantien er i tillegg til kundens lovlige rettigheter og påvirker ikke disse. Garantien gjelder innen medlemsstatene i den Europeiske Unionen og i det Europeiske Frihandelsområdet.

Hvis et Black & Decker produkt går i stykker på grunn av material- og/eller fabrikkasjonsfeil eller har mangler i forhold til spesifikasjonene, innen 24 måneder fra kjøpet, påtar Black & Decker seg å reparere eller bytte ut produktet med minst mulig vanskelighet for kunden.

Garantien gjelder ikke for feil som kommer av:

- ◆ normal slittasje
- ◆ feilaktig bruk eller vedlikehold (mislighold)
- ◆ at produktet har blitt skadet av fremmede gjenstander, emner eller ved et uhell

Det gjøres oppmerksom på at produktet ikke er beregnet på industriell/profesjonell/yrkesmessig bruk, men til hus- og hjemmebruk.

Garantien gjelder ikke om reparasjoner har blitt utført av noen andre enn et autorisert Black & Decker serviceverksted.

For å ta garantien i bruk skal produktet og kjøpekvittring leveres til forhandleren eller til et autorisert serviceverksted senest 2 måneder etter at feilen har blitt oppdaget. For informasjon om nærmeste autoriserte serviceverksted; kontakt det lokale Black & Decker kontoret på den adressen som er angitt i bruksanvisningen. En oversikt over alle autoriserte serviceverksteder samt servicevilkår finnes også tilgjengelig på Internet, adresse: www.2helpU.com

Vennligst stikk innom våre nettsider på www.blackanddecker.no for å registrere ditt nye Black & Decker-produkt og for å holde deg oppdatert om nye produkter og spesialtilbud. Du finner mer informasjon om Black & Decker og produktutvalget vårt på www.blackanddecker.no

Anvendelsesområde

Din Black & Decker rotationsborehammer er designet til at bore i træ, metal, plastic og murværk samt til skruetrækning og let mejsling. Værktøjet er kun beregnet til privat brug.

Sikkerhedsinstruktioner

Generelle sikkerhedsadvarsler for værktøjet



Advarsel! Læs alle sikkerhedsadvarsler og instrukser. Hvis nedenstående advarsler og instrukser ikke følges, er der risiko for elektrisk stød, brand og/eller alvorlige personskader.

Gem alle advarsler og instruktioner til fremtidig brug.

Det benyttede begreb "el-værktøj" i nedennævnte advarsler refererer til el-netdrevne (med tilslutningsledning) eller batteridrevne maskiner (uden tilslutningsledning).

1. Sikkerhed i arbejdsområdet

- Sørg for, at arbejdsområdet er rent og ryddeligt.**
Rodede eller uoplyste arbejdsområder øger faren for uheld.
- Brug ikke el-værktøj i eksplosionstruede omgivelser, f.eks. hvor der er brændbare væsker, gasser eller støv.**
El-værktøj kan slå gnister, der kan antænde støv eller dampe.
- Sørg for, at børn og andre personer holder sig på afstand, når el-værktøjet er i brug.** Hvis man distraheres, kan man miste kontrollen over maskinen.

2. El-sikkerhed

- El-værktøjsstik skal passe til kontakten. Stikkene må under ingen omstændigheder ændres. Brug ikke adapterstik sammen med jordforbundet el-værktøj.**
Uændrede stik, der passer til kontakterne, nedsætter risikoen for elektrisk stød.
- Undgå kropskontakt med jordforbundne overflader som f.eks. rør, radiatorer, komfurer og køleskabe.** Hvis din krop er jordforbundet, øges risikoen for elektrisk stød.
- El-værktøj må ikke udsættes for regn eller fugt.**
Indtrængen af vand i el-værktøj øger risikoen for elektrisk stød.
- Undgå at ødelægge ledningen. Undgå at bære, trække eller afbryde el-værktøjet ved at rykke i ledningen.**
Beskyt ledningen mod varme, olie, skarpe kanter eller maskindele, der er i bevægelse. Beskadede eller indviklede ledninger øger risikoen for elektrisk stød.
- Hvis el-værktøj benyttes i det fri, skal der benyttes en forlængerledning, som er godkendt til udendørs brug.**
Brug af en forlængerledning til udendørs brug nedsætter risikoen for elektrisk stød.
- Ved anvendelse af et elektrisk værktøj i områder med damp, anvend da en beskyttende afskærmning.**
Denne afskærmning reducerer risikoen for elektrisk stød.

3. Personlig sikkerhed

- Vær opmærksom, hold øje med, hvad du laver, og brug el-værktøjet fornuftigt. Man bør ikke bruge maskinen, hvis man er træt, har nydt alkohol eller er påvirket af medicin eller euforiserende stoffer.**
Få sekunders uopmærksomhed ved brug af el-værktøjet kan føre til alvorlige personskader.
- Anvend sikkerhedsudstyr. Bær altid beskyttelsesbriller.**
Beskyttende udstyr, som en støvmaske, skridsikre sikkerhedssko, beskyttelseshjelm eller ørepropper anvendt i de rigtige betingelser reducere ulykker.
- Forebyg umotiveret opstart. Vær sikker på, at kontakten er slukket før du forbinder kraftkilden og/eller batteriet, løfter eller bærer værktøjet.** Hvis du bærer på værktøjet med din finger på kontakten eller starter værktøjet med kontakten slået til indbyder til ulykker.
- Fjern indstillingsværktøj eller skruenøgle, inden el-værktøjet tændes.** Et værktøj eller en nøgle, der efterlades i en roterende del i el-værktøjet, kan resultere i personskader.
- Overvurder ikke dig selv. Sørg for, at du altid har sikkert fodfæste og balance.** Det gør det nemmere at kontrollere el-værktøjet, hvis der skulle opstå uventede situationer.
- Brug egnet arbejdstøj. Undgå løse beklædningsgenstande eller smykker. Hold hår, tøj og handsker væk fra dele, der bevæger sig.** Bevægelige dele kan gribe fat i løstsiddende tøj, smykker eller langt hår.
- Hvis støvudsugnings- og opsamlingsudstyr kan monteres, er det vigtigt, at dette tilsluttes og benyttes korrekt.** Brug af støvopsamling nedsætter risikoen for personskader som følge af støv.

4. Brug og vedligeholdelse af el-værktøj

- Undgå at overbelaste el-værktøjet. Brug altid det rette el-værktøj til opgaven.** Med det rigtige el-værktøj udføres arbejdet lettere og sikrere inden for det angivne effektområde.
- Brug ikke el-værktøjet, hvis afbryderen er defekt.**
El-værktøj, der ikke kan reguleres med afbryderen, er farligt og skal repareres.
- Træk stikket ud af stikkontakten og/eller afmonter batteriet inden indstilling, tilbehørsudskiftning eller opbevaring af el-værktøjet.** Disse sikkerhedsforanstaltninger reducerer risikoen for utilsigtet start af værktøjet.
- Opbevar ubenyttet el-værktøj uden for børns rækkevidde. Lad aldrig personer, der ikke er fortrolige med el-værktøj, eller som ikke har gennemlæst disse instrukser, benytte maskinen.** El-værktøj er farligt, hvis det benyttes af ukyndige personer.

- e. **El-værktøj bør vedligeholdes omhyggeligt. Kontroller, om bevægelige dele er skæve og ikke sidder fast, og om delene er brækket eller beskadiget, således at el-værktøjets funktion påvirkes. Få beskadigede dele repareret, inden el-værktøjet tages i brug.** Mange uheld skyldes dårligt vedligeholdt el-værktøj.
- f. **Sørg for, at skæreværktøjer er skarpe og rene.** Omhyggeligt vedligeholdt skæreværktøjer med skarpe skærekanten sætter sig ikke så hurtigt fast og er nemmere at føre.
- g. **Brug el-værktøj, tilbehør, indsatsværktøj osv. i overensstemmelse med disse instrukser, og sådan som det kræves for denne specielle værktøjstype. Tag hensyn til arbejdsforholdene og det arbejde, der skal udføres.** I tilfælde af anvendelse af el-værktøjet til formål, som ligger uden for det fastsatte anvendelsesområde, kan der opstå farlige situationer.
5. **Service**
- a. **Sørg for, at el-værktøjet kun reparerer af kvalificerede fagfolk, og at der kun benyttes originale reservedele.** Dermed bevares el-værktøjets sikkerhed.

Yderligere sikkerhedsadvarsler for værktøjet



Advarsel! Yderligere sikkerhedsadvarsler til bore- og mejslehamre

- ◆ **Brug høreværn.** Udsættelse for støj kan føre til høretab.
- ◆ **Brug hjælpegreb, som leveres sammen med værktøjet.** Mister du kontrollen over værktøjet, kan det medføre kvæstelser.
- ◆ **Hold altid kun fast på maskinen på de isolerede håndtagsflader, når der skal saves i emner, hvor der er risiko for, at skæretilbehøret kan komme i kontakt med strømførende ledninger eller apparatets eget kabel.** I tilfælde af at skæretilbehør kommer i kontakt med strømførende ledninger, vil metaldelene på værktøjet være under spænding og give elektrisk stød.
- ◆ **Anvend aldrig mejslingstilbehør i rotationstilstand.** Tilbehøret vil sidde fast i materialet og rotere boret.
- ◆ **Brug skruetvinger eller en anden praktisk måde til at sikre og støtte arbejdsemnet til en stabil flade.** Hvis emnet holdes i hånden eller mod kroppen, er det ustabil og kan føre til tab af kontrol.
- ◆ **Før der bores i vægge, gulve eller lofter checkes ledningers og rørs placering.**
- ◆ **Man skal undgå at røre borespidsen lige efter, at man har boret, idet den kan være varm.**

- ◆ De formål, som værktøjet er beregnet til er beskrevet i betjeningsvejledningen. Brug af andet tilbehør eller udførelse af andre opgave med dette værktøj end de her anbefalede kan medføre risiko for personskader og/eller skader på materiel.

Andres sikkerhed

- ◆ Dette apparat er ikke egnet for at brug af personer (inklusive børn) med manglende fysiske, sensorielle eller mentale evner eller erfaring, med mindre de har modtaget undervisning eller instruktioner i brug af apparatet fra en person, som er ansvarlig for sikkerheden.
- ◆ Der skal være opsyn med børn for at sikre, at de ikke leger med apparatet.

Vibration

De deklarerede vibrationsemissionsværdier, som er angivet i tekniske data og overensstemmelseserklæring er blevet udmålt i overensstemmelse med en standardtestmetode foreskrevet af EN 60745 og kan anvendes til at sammenligne et værktøj med et andet. De deklarerede vibrationsemissionsværdier kan ligeledes anvendes i en præliminær undersøgelse af eksponeringen.

Advarsel! Vibrationsemissionsværdien under den faktiske brug af værktøjet kan variere fra den deklarerede værdi, alt efter hvilken måde værktøjet anvendes på. Vibrationerne kan nå op på et niveau over det anførte.

Når vibrationseksponeringen undersøges med det formål at fastsætte sikkerhedsforanstaltningerne ifølge 2002/44/EF for at beskytte personer, som regelmæssigt anvender værktøjer i forbindelse med deres arbejde, bør en måling af vibrationseksponeringen betænke, den måde værktøjet anvendes på inklusive alle dele af arbejdsrytmen såsom tidspunkter, hvor værktøjet er slukket eller kører i tomgang, ud over det tidsrum hvor det anvendes.

Etiketter på værktøjet

Følgende piktogrammer ses på værktøjet:



Advarsel! For at mindske risikoen for skader skal brugeren læse instruktionsmanualen.

El-sikkerhed



Denne maskine er dobbelt isoleret. Derfor er jordledning ikke nødvendig. Kontroller altid, at strømforsyningen svarer til spændingen på apparatets kiltet.

- ◆ Hvis el-ledningen er skadet, skal den udskiftes af producenten eller et autoriseret Black & Decker servicecenter for at undgå ulykker.

Funktioner

Dette værktøj har nogle af eller alle følgende funktioner.

1. Afbryder med variabel hastighedskontrol
2. Låseknop
3. Knap til indstilling af funktion fremad/bagud
4. Betjeningsknop til variabel hastighed
5. Boremodusvælger
6. Værktøjsholder
7. Sidehåndtag
8. Dybdestop

Montering

Advarsel! Før montering skal man sikre sig, at værktøjet er slukket og taget ud af stikkontakten.

Montering af sidehåndtaget og dybdestoppet (fig. A)

- ◆ Drej håndtaget mod uret, indtil du kan skubbe sidehåndtaget (7) på værktøjets front som vist.
- ◆ Drej sidehåndtaget i den ønskede position.
- ◆ Sæt dybdestoppet (8) i monteringshullet som vist.
- ◆ Indstil dybdestoppet til den ønskede position. Den maksimale boreddybde er lig med afstanden mellem borebittens spids og dybdestoppets forende.
- ◆ Stram sidehåndtaget ved at dreje håndtaget med uret.

Montering af tilbehør (fig. B)

- ◆ Rens og smør tilbehørets aksel (9).
- ◆ Træk manchetten (10) tilbage, og indsæt akslen i værktøjsholderen (6).
- ◆ Tryk tilbehøret ned og drej det let, til det går på plads i rillerne.
- ◆ Træk i tilbehøret for at kontrollere, at det er ordentligt fastlåst. Slagfunktionen kræver, at tilbehøret kan rykke flere centimeter i akslens retning, når det sidder låst fast i værktøjsholderen.
- ◆ Demonér tilbehøret ved først at trække manchetten (10) tilbage og derefter trække tilbehøret ud.

KD985/KD990 - Montering af borepatron med nøgle (fig. C)

- ◆ Fastgør akslen (11) til den medfølgende patron (12) i værktøjsholderen som beskrevet ovenfor.

Advarsel! Brug aldrig borepatroner med nøgle i slagboringsmodus.

KD985/KD990 - Montering af tilbehør i borepatronen med nøgle (fig. D)

- ◆ Åbn patronen ved at dreje på manchetten (13).
- ◆ Sæt bittens skaft (14) ind i patronen.

- ◆ Sæt patronnøglen (15) i hvert hul (16) i siden af patronen og drej indtil den er stram.

Restrisici.

Der kan opstå yderligere restrisici under brugen af værktøjet, som ikke kan medtages i vedlagte sikkerhedsadvarsler. Disse risici kan opstå pga. forkert anvendelse, langvarig brug etc. Selv ved overholdelse af relevante sikkerhedsforskrifter og anvendelse af sikkerhedsudstyr kan visse restrisici ikke undgås. Disse omfatter:

- ◆ **Tilskadekomst forårsaget af berøring af roterende/ bevægelige dele.**
- ◆ **Tilskadekomst forårsaget af udskiftning af dele, blade eller tilbehør.**
- ◆ **Tilskadekomst forårsaget af langvarig brug af et værktøj. Husk at holde pause jævnligt ved brug af et værktøj i længere tid.**
- ◆ **Høreskader.**
- ◆ **Sundhedsrisici forårsaget af indånding af støv, der genereres ved brug af værktøjet (eksempel: Arbejde med træ, især, eg, bøg og MDF).**

Anvendelse

Advarsel! Lad værktøjet arbejde i dets eget tempo. Det må ikke overbelastes.

Advarsel! Før der bores i vægge, gulve eller lofter checkes ledningers og rørs placering.

Valg af driftsmodus (fig. E)

Dette værktøj kan bruges i tre forskellige driftsmodes. Drej boremodusvælgeren (5) til den ønskede stilling som symbolerne angiver.

Boring

- ◆ Ved boring i stål, træ og plastik og ved skruetrækning indstilles driftsmodusvælgeren (5) til positionen **2**.
- ◆ Ved skruetrækning startes ved lav hastighed. Ved fjernelse af skruer reduceres hastigheden automatisk.

Slagboring

- ◆ Ved slagboring i murværk og beton indstilles driftsmodusvælgeren (5) på positionen **T1**.
- ◆ Ved slagboring må værktøjet ikke springe tilbage, og det skal køre jævnt. Øg eventuelt hastigheden.

Slagboring

- ◆ Ved slagboring med spindellås og ved let mejsling og høvling indstilles driftsmodusvælgeren (5) til positionen ud for **T**.
- ◆ Sørg for, at frem/tilbage kontakten er i positionen frem.

- ◆ Når der skal skiftes fra slagboring til mejsling, drejes mejslen til den ønskede position. Hvis der er modstand ved modusændringen, drejes mejslen let for at gribe fat i spindellåsen.

Valg af drejeretning

Til boring, stramning af skruer og mejsling benyttes fremadrotation (med uret). Til løsning af skruer eller fjernelse af blokerede borebits bruges bagudrotation (mod uret).

- ◆ Vælg fremadrotation ved at skubbe fremad/bagud omskifteren (3) til venstre.
- ◆ Vælg bagudrotation ved at skubbe fremad/bagud omskifteren til højre.

Advarsel! Skift aldrig rotationsretning, mens motoren kører.

Indstilling af boreddyden (fig. F)

- ◆ Løsn sidehåndtaget (7) ved at dreje håndtaget mod uret.
- ◆ Indstil dybdestoppet (8) til den ønskede position. Den maksimale boreddyde er lig med afstanden mellem borebittens spids og dybdestoppets forende.
- ◆ Stram sidehåndtaget ved at dreje håndtaget med uret.

Start og stop

- ◆ Tænd værktøjet ved at trykke på kontakten til variabel hastighed (1). Værktøjets hastighed afhænger af, hvor langt ind man trykker afbryderen. Indstil hastighedskontrolknappen (4) på den ønskede hastighed.
- ◆ Brug kun hastigheder 1-6 i korte perioder.
- ◆ Brug som en generel regel lave hastigheder til borebits med stor diameter og høje hastigheder til borebits med mindre diameter.
- ◆ Værktøjet sættes til vedvarende drift ved at trykke på låseknappen (2) og slippe kontakten til variabel hastighed. Denne funktion kan kun bruges til fremadrotation (med uret).
- ◆ Sluk værktøjet ved at slippe kontakten til variabel hastighed. Sluk for værktøjet, mens det arbejder i vedvarende drift ved at trykke kontakten til variabel hastighed ind én gang til og derefter slippe den.

Tilbehør

Værktøjets ydeevne afhænger af, hvilket tilbehør der bruges. Black & Decker og Piranha tilbehør er konstrueret, så det opfylder høje kvalitetsstandarder, og det er beregnet til at forbedre værktøjets ydeevne. Bruger du dette tilbehør, vil du få det allerbedste ud af værktøjet.

Vedligeholdelse

Dit el-/batteridrevne Black & Decker apparat/værktøj er designet til at være i drift i lang tid og med minimal vedligeholdelse. Forsat tilfredsstillende anvendelse afhænger af, at værktøjet behandles korrekt og gøres rent med regelmæssige mellemrum.

Advarsel! Før der udføres vedligeholdelse af el-/batteridrevne værktøj:

- ◆ Sluk for apparatet/værktøjet og træk stikket ud af kontakten.
- ◆ Eller sluk og fjern batteriet fra apparatet/værktøjet, hvis apparatet/værktøjet har et separat akkumulatorbatteri.
- ◆ Aflad ellers batteri helt, hvis det er integreret, og sluk derefter.
- ◆ Tag opladeren ud af stikkontakten før rengøring. Opladeren kræver ingen anden vedligeholdelse end regelmæssig rengøring.
- ◆ Rengør regelmæssigt apparatets/værktøjets ventilationshuller og oplader med en blød børste eller en tør klud.
- ◆ Man skal regelmæssigt gøre motorhuset rent med en fugtig klud. Man må ikke bruge rensmidler med slibemidler eller opløsningsmidler.
- ◆ Man skal regelmæssigt åbne patronen og banke den let for at fjerne støv fra dens indre (når den er installeret).

Beskyttelse af miljøet



Separat indsamling. Dette produkt må ikke bortskaffes sammen med almindeligt husholdningsaffald.

Hvis du en dag skal udskifte dit Black & Decker produkt, eller hvis du ikke skal bruge det længere, må du ikke bortskaffe det sammen med husholdningsaffald. Dette produkt skal være tilgængeligt for separat indsamling.



Separat indsamling af brugte produkter og emballage gør det muligt at genbruge materialer. Genbrugte materialer forebygger miljøforurening og nedbringer behovet for råstoffer.

Lokale regler kan give mulighed for separat indsamling af elektriske husholdningsprodukter på kommunale lossepladser eller hos den forhandler, som du købte produktet af.

Black & Decker har en facilitet til indsamling og genbrug af Black & Decker-produkter, når deres levetid er slut. Få fordelene ved denne service ved at returnere produktet til en autoriseret tekniker, der samler værktøj sammen på vores vegne.

Du kan få oplyst den nærmeste autoriserede tekniker ved at kontakte det lokale Black & Decker-kontor på den adresse, der er angivet i denne brugsanvisning. Alternativt findes der en liste over autoriserede Black & Decker-teknikere og oplysninger om vores eftersalgsservice og kontaktpersoner på Internettet på adressen: www.2helpU.com

Tekniske data

| | | KD975 | KD985 | KD990 |
|---------------------|-------------------|-----------|-----------|-----------|
| | | TYPE 3 | TYPE 3 | TYPE 3 |
| Spænding | V _{AC} | 230 | 230 | 230 |
| Motoreffekt | W | 710 | 800 | 850 |
| Ubelastet hastighed | min ⁻¹ | 0 - 980 | 0 - 980 | 0 - 980 |
| Slaghastighed | min ⁻¹ | 0 - 5.180 | 0 - 5.180 | 0 - 5.180 |
| Slagenergi | J | 1.8 | 2.2 | 2.4 |
| Maks. borekapacitet | | | | |
| Beton | mm | 22 | 24 | 26 |
| Stål | mm | 13 | 13 | 13 |
| Træ | mm | 30 | 30 | 30 |
| Vægt | kg | 3.4 | 3.4 | 3.4 |

Lydniveauet i henhold til:

Lydtryk (L_{pa}) 96 dB(A), usikkerhed (K) 3 dB(A)

Lydintensitet (L_w) 107 dB(A), usikkerhed (K) 3 dB(A)

Vibrationernes totale værdi (triax vector sum) i henhold til EN 60745:

Hammerboring i beton (a_{h,HD}) 14.9 m/s², usikkerhed (K) 1.5 m/s²

Mejsling (a_{ch,CH}) 9.0 m/s², usikkerhed (K) 1.5 m/s²

EU overensstemmelseserklæring

MASKINDIREKTIV



KD975/KD985/KD990

Black & Decker erklærer, at disse produkter, beskrevet under "tekniske data", overholder følgende:
2006/42/EF, EN 660745-1, EN 60745-2-6

Disse produkter er endvidere i overensstemmelse med direktiv 2004/108/EF og 2011/65/EU.

For mere information, kontakt venligst Black & Decker på følgende adresse eller på adressen bagerst i brugsanvisningen.

Undertegnede er ansvarlig for kompilering af den tekniske fil og laver denne deklaration på vegne af Black & Decker.

Kevin Hewitt
Vice-President Global Engineering
Black & Decker Europe, 210 Bath Road, Slough,
Berkshire, SL1 3YD
Storbritannien
30/06/2014

Reserve dele / reparationer

Reserve dele kan købes hos autoriserede Black & Decker serviceværksteder, som giver forslag til omkostninger og reparerer vore produkter. Oversigt over vore autoriserede værksteder findes på internettet på vor hjemmeside www.blackanddecker.dk samt www.2helpU.com

Garanti

Black & Decker garanterer, at produktet er fri for materielle skader og/eller fabriktionsfejl ved levering til kunden. Garantien er et tillæg til konsumentens lovlige rettigheder og påvirker ikke disse. Garantien gælder indenfor medlemsstaterne af den Europæiske Union og i det Europæiske Frihandelsområde.

Hvis et Black & Decker produkt går i stykker på grund af materiel skade og/eller fabriktionsfejl eller på anden måde ikke fungerer i overensstemmelse med specifikationen, inden for 24 måneder fra købsdatoen, påtager Black & Decker sig at reparere eller ombytte produktet med mindst muligt besvær for kunden.

Garantien gælder ikke for fejl og mangler, der er sket i forbindelse med:

- ◆ normal slitage
- ◆ uheldige følger efter unormal anvendelse af værktøjet
- ◆ overbelastning, hævvræk eller overdrevent intensivt brug af værktøjet
- ◆ ulykkehændelse

Garantien gælder ikke hvis reparationer er udført af nogen anden end et autoriseret Black & Decker værksted.

For at udnytte garantien skal produktet og købskvitteringen indleveres til forhandleren eller til et autoriseret værksted, senest 2 måneder efter at fejlen opdages. For information om nærmeste autoriserede værksted: kontakt det lokale Black & Decker kontor på den adresse som er opgivet i brugsanvisningen. Liste over alle autoriserede Black & Decker serviceværksteder samt servicevilkår er tilgængelig på internettet, på adressen www.2helpU.com

Gå venligst ind på vores website www.blackanddecker.dk for at registrere dit nye produkt og for at blive holdt ajour om nye produkter og specialtilbud. Der findes yderligere oplysninger om mærket Black & Decker og vores produktsortiment på adressen www.blackanddecker.dk

Käyttötarkoitus

Black & Deckerin iskuporakone on tarkoitettu puun, metallin, muovin ja betonin poraamiseen sekä ruuvaamiseen ja kaivertamiseen. Kone on tarkoitettu kotikäyttöön.

Turvaohjeet

Yleiset sähkötyökalujen turvallisuusohjeet



Varoitus! Kaikki ohjeet täytyy lukea. Alla olevien ohjeiden noudattamisen laiminlyönti saattaa johtaa sähköiskuun, tulipaloon ja/tai vakavaan loukkaantumiseen.

Säilytä nämä ohjeet hyvin. Seuraavassa käytetty käsite "sähkötyökalu" käsittää verkkokäyttöiset sähkötyökalut (verkkojohdolla) ja paristokäyttöiset sähkötyökalut (ilman verkkojohtoa).

1. Työpisteen turvallisuus

- Pidä työskentelyalue puhtaana ja hyvin valaistuna.** Epäjärjestyksessä olevilla ja valaisemattomilla työalueilla voi tapahtua tapaturmia.
- Älä työskentele sähkötyökalulla räjähdysalttiissa ympäristössä, jossa on palavaa nestettä, kaasua tai pölyä.** Sähkötyökalu muodostaa kipinöitä, jotka saattavat sytyttää pölyn tai höyryt.
- Pidä lapset ja sivulliset loitolla sähkötyökalua käyttäessäsi.** Voit menettää laitteesi hallinnan huomiosi suuntautuessa muualle.

2. Sähköturvallisuus

- Sähkötyökalun pistotulpan tulee sopia pistorasiaan.** Pistotulppaa ei saa muuttaa millään tavalla. Älä käytä minkäänlaisia sovittinpistokkeita maadoitettujen sähkötyökalujen kanssa. Alkuperäisessä tilassa olevat pistotulpat ja sopivat pistorasiat vähentävät sähköiskun vaaraa.
- Vältä koskettamasta maadoitettuja pintoja, kuten putkia, pattereita, liesiä tai jääkaappeja.** Sähköiskun vaara kasvaa, jos kehosi on maadoitettu.
- Älä altista sähkötyökalua sateelle tai kosteudelle.** Veden tunkeutuminen sähkötyökalun sisään kasvattaa sähköiskun riskiä.
- Älä käytä verkkojohtoa väärin. Älä käytä sitä sähkötyökalun kantamiseen, vetämiseen tai pistotulpan irrottamiseen pistorasiasta. Pidä johto loitolla kuumuudesta, öljystä, terävistä reunoista ja liikkuvista osista.** Vahingoittuneet tai sotkeutuneet johdot kasvattavat sähköiskun vaaraa.

- Käyttäessäsi sähkötyökalua ulkona, käytä ainoastaan ulkokäyttöön soveltuvaa jatkojohtoa.** Ulkokäyttöön soveltuvan jatkojohtoon käyttö pienentää sähköiskun vaaraa.
- Jos sähkötyökalua joudutaan käyttämään kosteassa ympäristössä, käytä aina jäännösvirtalaitteella (RCD) suojattua virtalähdettä.** Jäännösvirtalaitteen käyttö vähentää sähköiskun vaaraa.

3. Henkilöturvallisuus

- Ole valpas, kiinnitä huomiota työskentelyysi ja noudata tervettä järkeä sähkötyökalua käyttäessäsi. Älä käytä sähkötyökalua, jos olet väsynyt tai huumeiden, alkoholin tai lääkkeiden vaikutuksen alaisena.** Hetken tarkkaamattomuus sähkötyökalua käytettäessä saattaa johtaa vakavaan loukkaantumiseen.
- Käytä suojavarusteita. Käytä aina suojalaseja.** Suojavarusteet, kuten pölynsuojanaamari, luistamattomat turvajalkineet, kypärä ja kuulosuojaimet pienentävät, tilanteen mukaan oikein käytettynä, loukkaantumisriskiä.
- Vältä sähkötyökalun tahatonta käynnistämistä. Varmista, että käynnistyskytkin on asennossa "off", ennen kuin kytket pistotulpan pistorasiaan tai kannat sähkötyökalua.** Jos kannat sähkötyökalua sormi käynnistyskytkimellä tai kytket sähkötyökalun pistotulpan pistorasiaan, käynnistyskytkimen ollessa käyntiasennossa, altistaa itsesi onnettomuuksille.
- Poista kaikki säätötyökalut ja ruuvitaltat, ennen kuin käynnistät sähkötyökalun.** Laitteen pyörivään osaan jäänyt työkalu tai avain saattaa johtaa loukkaantumiseen.
- Älä kurkota. Seiso aina tukevasti ja tasapainossa.** Täten voit paremmin hallita sähkötyökalua odottamattomissa tilanteissa.
- Käytä tarkoitukseen soveltuvia vaatteita. Älä käytä löysiä työvaatteita tai koruja. Pidä hiukset, vaatteet ja käsineet loitolla liikkuvista osista.** Väljät vaatteet, korut ja pitkät hiukset voivat takertua liikkuviin osiin.
- Jos polynimi- ja keräilylaitteita voidaan asentaa työkaluun, sinun pitää tarkistaa, että ne on liitetty ja että niitä käytetään oikealla tavalla.** Näiden laitteiden käyttö vähentää pölyn aiheuttamia vaaroja.

4. Sähkötyökalujen käyttö ja hoito

- Älä ylikuormita sähkötyökalua. Käytä kyseiseen työhön tarkoitettua sähkötyökalua.** Sopivaa sähkötyökalua käyttäen työskentelet paremmin ja varmemmin tehoalueella, jolle sähkötyökalu on tarkoitettu.
- Älä käytä sähkötyökalua, jota ei voida käynnistää ja pysäyttää virtakytkimestä.** Sähkötyökalu, jota ei enää voida käynnistää ja pysäyttää käynnistyskytkimellä, on vaarallinen ja se täytyy korjata.

- c. **Irrota pistotulppa pistorasiasta, ennen kuin suoritat säätöjä, vaihdat tarvikkeita tai siirrä sähkötyökalun varastoitavaksi.** Nämä turvatoimenpiteet laskevat sähkötyökalun tahatonta käynnistysriskiä.
- d. **Säilytä sähkötyökalut poissa lasten ulottuvilta, kun niitä ei käytetä. Älä anna sellaisten henkilöiden käyttää sähkötyökalua, jotka eivät tunne sitä tai jotka eivät ole lukeneet tätä käyttöohjetta.** Sähkötyökalut ovat vaarallisia, jos niitä käyttävät kokemattomat henkilöt.
- e. **Hoida sähkötyökalusi huolella. Tarkista, että liikkuvat osat toimivat moitteettomasti, eivätkä ole puristuksessa ja että työkalussa ei ole murtuneita tai vahingoittuneita osia, jotka saattaisivat vaikuttaa haitallisesti sen toimintaan. Korjauta mahdolliset viat ennen käyttöönottoa.** Moni tapaturma aiheutuu huonosti huolletuista laitteista.
- f. **Pidä leikkausterät terävinä ja puhtaina.** Huolellisesti hoidetut leikkaustyökalut, joiden terät ovat teräviä, eivät tartu helposti kiinni ja niitä on helpompi hallita.
- g. **Käytä sähkötyökaluja, tarvikkeita, vaihtotyökaluja jne. näiden ohjeiden mukaisesti. Ota tällöin huomioon työolosuhteet ja suoritettava toimenpide.** Sähkötyökalun käyttö muuhun kuin tarkoituksenmukaiseen käyttöön saattaa johtaa vaarallisiin tilanteisiin.
5. **Huolto**
- a. **Anna koulutettujen ammattitaitoisten henkilöiden korjata sähkötyökalusi ja hyväksy korjauksiin vain alkuperäisiä varaosia.** Täten varmistat, että sähkötyökalu säilyy turvallisena.

Sähkötyökalujen lisäturvallisuusohjeet



Varoitus! Poravasaran ja talttavasaran lisäturvallisuusohjeet

- ◆ **Käytä kuulosuojaimia.** Altistuminen melulle voi aiheuttaa kuulovaurioita.
- ◆ **Käytä koneen varusteisiin kuuluvia lisäkahvoja.** Koneen hallinnan menetys voi aiheuttaa loukkaantumisen.
- ◆ **Käsittele sähkötyökalua eristävien tartuntapintojen avulla kun teet työtä jossa leikkaustarvike voi joutua kosketuksiin piilossa olevien sähköjohtojen tai oman virtajohtonsa kanssa.** Jännitteeseen johtimeen koskettava leikkaustarvike saattaa tehdä sähkötyökalun paljaista metalliosista jännitteisiä ja aiheuttaa sähköiskun käyttäjälle.
- ◆ **Älä koskaan käytä talttaa poratilassa.** Lisävaruste kiinnittyy materiaaliin ja kiertää poraa.
- ◆ **Käytä ruuvipuristimia tai vastaavaa keinoa, jolla saat kiinnitettyä ja tuettua työkappaleen tukevalle alustalle.**

Työkappaleen kannattelu käsin tai tukeminen kehoa vasten voi johtaa kappaleen irtoamiseen ja vaaratilanteen syntymiseen.

- ◆ Ennen seinien, lattioiden tai kattojen poraamista tarkista sähköjohtojen ja putkistojen sijainnit.
- ◆ Vältä poranterän koskettamista heti poraamisen jälkeen, sillä se saattaa olla kuuma.
- ◆ Käyttö, johon työkalu on tarkoitettu, on kuvattu tässä käyttöohjeessa. Käytä vain käyttöohjeessa ja tuotekuvastossa suositeltuja tarvikkeita ja lisälaitteita. Ohjeesta poikkeava käyttö voi aiheuttaa onnettomuuden ja/tai aineellisia vahinkoja.

Muiden turvallisuus

- ◆ Henkilöt (lapset mukaan lukien), joilla on fyysisiä, tunnettavia tai henkisiä rajoituksia tai rajallinen kokemus ja tuntemus, eivät saa käyttää tätä laitetta ellei heidän turvallisuudesta vastaava henkilö valvo tai ohjaa heitä laitteen käytössä.
- ◆ Lapsia on valvottava, etteivät he leiki koneen kanssa.

Tärinä

Käyttöohjeen teknisissä tiedoissa ja vaatimustenmukaisuusvakuutuksessa ilmoitetut tärinän päästöarvot on mitattu EN 60745-normin vakioiden testimenetelmän mukaisesti ja niitä voidaan käyttää työkalun vertaamisessa toiseen. Ilmoitettua tärinän päästöarvoa voidaan myös käyttää altistumisen arviointiin ennakkolta.

Varoitus! Sähkötyökalun tärinän päästöarvo voi varsinaisen käytön aikana poiketa ilmoitetusta arvosta riippuen siitä, millä tavalla työkalua käytetään. Tärinä taso voi kohota ilmoitetun tason yläpuolelle.

Kun tärinälle altistumista arvioidaan, jotta voidaan määrittää 2002/44/EY-direktiivin edellyttämät turvatoimenpiteet säännöllisesti sähkötyökaluja työssä käyttävien henkilöiden suojelemiseksi, tärinälle altistumisen arvion tulee ottaa huomioon varsinaiset käyttöolosuhteet ja työkalun käyttötavan, johon sisältyy kaikkien käyttöjakson osien huomioon ottaminen, kuten ajat, jolloin työkalu on pois päältä tai kun se käy joutokäyntiä sekä käynnistysajan.

Koneessa olevat merkit

Koneessa on seuraavat kuvamerkinnot:



Varoitus! Loukkaantumisen vaaran ehkäisemiseksi käyttäjän on luettava käyttöohjeet.

Sähköturvallisuus



Tämä laite on kaksoiseristetty; siksi erillistä maadoitusta ei tarvita. Tarkista aina, että virtalähde vastaa arvokilvessä ilmoitettua jännitettä.

- ◆ Jos sähköjohto on vaurioitunut, se saadaan vaihtaa vain valtuutetussa Black & Deckerin huoltoliikkeessä vaaratilanteiden välttämiseksi.

Ominaisuudet

Tällä koneella on kaikki tai joitakin seuraavista ominaisuuksista.

1. Virrankatkaisija portaattomalla nopeudensäädöllä
2. Lukitusnappi
3. Suunnanvaihtokytkin
4. Portaattoman nopeuden valitsin
5. Poraustavan valitsin
6. Työkalun pidike
7. Sivukahva
8. Poran syvyyden säädin

Kokoaminen

Varoitus! Ennen kokoamista varmista, että kone on pois päältä eikä sitä ole liitetty virtalähteeseen.

Sivukahvan ja syvyydenrajoittimen kiinnittäminen (kuva A)

- ◆ Kierrä kädensijaa vastapäivään, kunnes voit työntää sivukahvan (7) koneeseen kuvan osoittamalla tavalla.
- ◆ Käännä sivukahva haluttuun asentoon.
- ◆ Laita syvyydenrajoitin (8) sivukahvassa olevaan reikään kuvan osoittamalla tavalla.
- ◆ Laita syvyydenrajoitin haluttuun syvyyteen. Suurin mahdollinen poraussyvyys on sama kuin etäisyys poranterän kärjen ja syvyydenrajoittimen etupään välillä.
- ◆ Kiristä sivukahva kiertämällä kädensijaa myötäpäivään.

Tarvikkeen kiinnittäminen (kuva B)

- ◆ Puhdista ja rasvaa lisävarusteen varsi (9).
- ◆ Vedä holkki (10) taakse ja työnä varsi työkalun pitimeen (6).
- ◆ Työnä lisävarustetta alas ja käännä sitä hieman, kunnes se asettuu uriin.
- ◆ Tarkista lisävarustetta vetämällä, että se on lukittunut kunnolla. Iskutoiminnon vuoksi lisävarusteen on voitava liikkua useita senttimetrejä akselin suuntaisesti, kun se on työkalun pitimeen lukittuna.
- ◆ Irrota lisävaruste vetämällä holkki (10) taakse ja vetämällä lisävarusteen ulos.

KD985/KD990 - Avainistukan kiinnittäminen (kuva C)

- ◆ Kiinnitä mukana toimitetun istukan (12) varsi (11) työkalun pitimeen edellä kuvatulla tavalla.

Varoitus! Älä käytä koskaan avaimellisia istukoita iskuporakokoonpanossa.

KD985/KD990 - Lisävarusteiden kiinnittäminen avainistukkaan (kuva D)

- ◆ Avaa istukka kiertämällä holkkia (13).
- ◆ Laita tarvike (14) istukkaan.
- ◆ Laita istukan avain (15) vuorotellen jokaiseen istukassa olevaan reikään (16) ja kiristä kunnolla.

Jännönsriskit.

Jännönsriskit ovat mahdollisia, jos käytät työkalua muulla kuin turvavaroituksissa mainitulla tavalla. Nämä riskit voivat liittyä muun muassa virheelliseen tai pitkäaikaiseen käyttöön.

Tiettyjä jännönsriskejä ei voi välttää, vaikka noudatat kaikkia turvamääräyksiä ja käytät turvalaitteita. Näihin kuuluvat muun muassa:

- ◆ pyörievien tai liikkuvien osien koskettamisen aiheuttamat vahingot.
- ◆ osia, teriä tai lisävarusteita vaihdettaessa aiheutuneet vahingot.
- ◆ työkalun pitkäaikaisen käytön aiheuttamat vahingot Kun käytät työkalua pitkään, varmista, että pidät säännöllisesti taukoja.
- ◆ kuulovauriot.
- ◆ työkalua käytettäessä (esimerkiksi puuta, erityisesti tammea, pyökkiä ja MDF-levyjä, käsiteltäessä) syntyneen pölyn sisäänhengityksen aiheuttamat terveysriskit.

Käyttö

Varoitus! Anna koneen käydä omaan tahtiinsa.


Älä ylikuormita sitä.

Varoitus! Ennen seinien, lattioiden tai kattojen poraamista tarkista sähköjohtojen ja putkistojen sijainnit.


Käyttöasennon valinta (kuva E)

Konetta voidaan käyttää kolmessa käyttöasennossa. Kierrä poraustavan valitsinta (5) haluamaasi asentoon. Asentojen merkinä on symboli.

Poraus

- ◆ Porattaessa terästä, puuta ja muovia tai ruuvattaessa tulee käyttöasennon valitsimen (5) olla  kohdalla.
- ◆ Aloita alhaisella nopeudella, kun ruuvaat. Nopeus hidastuu automaattisesti, kun ruuveja poistetaan.

Iskuporaus

- ◆ Porattaessa muria tai betonia tulee käyttöasennon valitsimen (5) olla kuvan  kohdalla.
- ◆ Iskuporausken yhteydessä koneen ei pidä pomppia vaan toimia tasaisesti. Lisää nopeutta tarvittaessa.

Vasaroiminen

- ◆ Vasaroitaessa karulukolla, ja kevyiden kaiverrus- ja talttaustöiden yhteydessä, tulee käyttöasennon valitsimen (5) olla kuvan **T** kohdalla.
- ◆ Tarkista, että suunnanvaihtokytkin on eteenpäin-asennossa.
- ◆ Kun vaihdat iskuporauksesta kaivertamiseen, käännä taltta haluamaasi asentoon. Jos vaihdon aikana tuntuu vastusta, kytke karulukko kääntämällä talttaa hieman.

Suunnanvaihto

Käytä eteenpäin (myötöpäivään) suuntautuvaa pyörimisliikettä poraamiseen, ruuvien kiristämiseen ja kaivertamiseen.

Käytä taaksepäin (vastapäivään) suuntautuvaa pyörimisliikettä ruuvien tai jumiutuneen poran terän irrottamiseen.

- ◆ Valitaksesi pyörimissuunnan eteenpäin siirrä suunnanvaihtokytkintä (3) vasemmalle.
- ◆ Kun haluat vaihtaa pyörimissuunnan taaksepäin, siirrä suunnanvaihtokytkintä oikealle.

Varoitus! Älä koskaan vaihda pyörimissuuntaa koneen käydessä.

Poraussyvyyden säätäminen (kuva F)

- ◆ Löysää sivukahvaa (7) kääntämällä otekohtaa vastapäivään.
- ◆ Laita syvyydenrajoitin (8) haluttuun syvyyteen. Suurin mahdollinen porausyvyys on sama kuin etäisyys poran terän kärjen ja syvyydenrajoittimen etupään välillä.
- ◆ Kiristä sivukahva kiertämällä kädensijaa myötöpäivään.

Käynnistys ja pysäytys

- ◆ Käynnistä kone painamalla virrankatkaisijaa (1). Koneen nopeus riippuu siitä, kuinka paljon virrankatkaisijaa painetaan. Valitse haluttu nopeus portaattoman nopeuden valitsimella (4).
- ◆ Käytä nopeuksia 1-6 ainoastaan lyhyitä aikoja kerrallaan.
- ◆ Käytä alhaista nopeutta poratessasi terillä, joiden halkaisija on suuri ja suurta nopeutta, kun terän halkaisija on pieni.
- ◆ Lukitaksesi virrankatkaisijan jatkuvaa toimintaa varten paina lukitusnappia (2) ja päästä irti virrankatkaisijasta. Tämä toiminto on mahdollinen vain eteenpäin (myötöpäivään) pyörimisen yhteydessä.
- ◆ Sammuta kone päästämällä irti virrankatkaisijasta. Sammuttaaksesi koneen, jonka virrankatkaisijan lukitsin on päällä, paina virrankatkaisijaa vielä kerran ja päästä siitä irti.

Tarvikkeet

Koneen käyttöalue riippuu käytettävästä tarvikkeesta. Black & Decker- ja Piranha -tarvikkeet ovat korkealaatuisia. Käyttämällä näitä tarvikkeita saat koneestasi irti parhaan mahdollisen.

Huolto

Black & Deckerin langallinen/langaton laite/työkalu on suunniteltu toimimaan mahdollisimman pitkän aikaa mahdollisimman vähällä huollolla. Asianmukainen käyttö ja säännönmukainen puhdistus takaavat laitteen jatkuvan tyydyttävän toiminnan.

Varoitus! Ennen langallisen/langattoman sähkötyökalun huoltoa:

- ◆ Kytke laite/työkalu pois päältä ja irrota pistoke pistorasiasta.
- ◆ Tai kytke laite pois päältä ja irrota akku laitteesta/työkalusta, jos laitteessa/työkalussa on erillinen akku.
- ◆ Tai kuluta akku kokonaan loppuun, jos akku on integroitu laitteeseen ja kytke laite sen jälkeen pois päältä.
- ◆ Irrota laturi virtalähteestä ennen puhdistamista. Laturi ei tarvitse säännöllisen puhdistamisen lisäksi mitään muuta huoltoa.
- ◆ Puhdista työkalun/laitteen/laturin tuuletusaukot säännöllisesti pehmeällä harjalla tai kuivalla siivousliinalla.
- ◆ Puhdista työkalun kuori säännöllisesti kostealla siivousliinalla. Älä koskaan käytä puhdistamiseen liuotainaineita tai syövyttäviä puhdistusaineita.
- ◆ Avaa istukka säännöllisin väliajoin ja kopauta sitä pölyjen poistamiseksi sisältä (jos asennettu).

Ympäristö



Erillinen keräys. Tätä tuotetta ei saa hävittää normaalin kotitalousjätteen kanssa.

Kun Black & Decker -koneesi on käytetty loppuun, älä hävitä sitä kotitalousjätteen mukana. Tämä tuote on kerättävä erikseen.



Käytettyjen tuotteiden ja pakkausten erillinen keräys mahdollistaa materiaalin kierrätyksen ja uudelleenkäytön. Kierrätettyjen materiaalien uudelleenkäyttö auttaa ehkäisemään ympäristön saastumisen ja vähentää raaka-aineiden kysyntää.

Paikallisten säännösten mukaisesti on mahdollista viedä kotitalouksien sähkölaitteet kuntien kaatopaikoille tai jättää ne vähittäismyyjälle ostettaessa uusi tuote.

Black & Decker tarjoaa mahdollisuuden Black & Decker -tuotteiden keräykseen ja kierrätykseen sen jälkeen, kun ne on poistettu käytöstä. Jotta voisit hyötyä tästä palvelusta, palauta laitteesi johonkin valtuutettuun huoltoliikkeeseen, joka kerää laitteet meidän puolestamme.

EU-vaatimustenmukaisuusvakuutus

KONEDIREKTIIVI



KD975/KD985/KD990

Voit tarkistaa lähimmän valtuutetun huoltoliikkeen sijainnin ottamalla yhteyden Black & Deckerin toimistoon, joka sijaitsee tässä käsikirjassa annetussa osoitteessa. Lista valtuutetuista Black & Decker -huoltoliikkeistä sekä yksityiskohtaiset tiedot korjauspalvelustamme ovat vaihtoehtoisesti saatavilla Internetissä, osoitteessa www.2helpU.com

Tekniset tiedot

| | | KD975 TYPE 3 | KD985 TYPE 3 | KD990 TYPE 3 |
|-----------------------|-------------------|-----------------|-----------------|-----------------|
| Jännite | V_{AC} | 230 | 230 | 230 |
| Ottoteho | W | 710 | 800 | 850 |
| Kuormittamaton nopeus | min^{-1} | 0 - 980 | 0 - 980 | 0 - 980 |
| Iskutaajuus | min^{-1} | 0 - 5.180 | 0 - 5.180 | 0 - 5.180 |
| Iskuenergia | J | 1.8 | 2.2 | 2.4 |
| Max. porausteho | | | | |
| Betoni | mm | 22 | 24 | 26 |
| Teräs | mm | 13 | 13 | 13 |
| Puu | mm | 30 | 30 | 30 |
| Paino | kg | 3.4 | 3.4 | 3.4 |

Äänenpainetaso mitattu EN 60745:n mukaisesti:

Äänenpaine (L_{pA}) 96 dB(A), epävarmuus (K) 3 dB(A)Akustinen teho (L_{WA}) 107 dB(A), epävarmuus (K) 3 dB(A)

Tärinän kokonaisarvot (kolmiaks. vektorisumma) EN 60745:n mukaisesti:

Vasaraporaus betoniin ($a_{n,HD}$) 14.9 m/s^2 , epävarmuus (K) 1.5 m/s^2 Talltaus ($a_{n,Chisel}$) 9.0 m/s^2 , epävarmuus (K) 1.5 m/s^2

Black & Decker julistaa, että kohdassa "tekniset tiedot" kuvatut tuotteet noudattavat seuraavia:

2006/42/EY, EN 60745-1, EN 60745-2-6

Nämä tuotteet täyttävät myös direktiivien

2004/108/EY ja 2011/65/EU vaatimukset.

Lisätietoja saa Black & Decker -yhtiöltä seuraavasta osoitteesta tai käyttöoppaan takana olevia yhteistietoja käyttäen.

Allekirjoittava henkilö on vastuussa teknisen tiedoston täyttämisestä ja tekee tämän ilmoituksen Black & Decker -yhtiön puolesta.

Kevin Hewitt

Vice-President Global Engineering
Black & Decker Europe, 210 Bath Road, Slough,
Berkshire, SL1 3YD

Iso-Britannia
30/06/2014

Korjaukset / varaosat

Mikäli koneeseen tulee vikaa, jätä se aina Black & Deckerin valtuuttamaan huoltoliikkeeseen korjattavaksi.

Varaosia myyvät valtuutetut Black & Deckerin huoltoliikkeet, ja heiltä voi myös pyytää kustannusarvion koneen korjauksesta.

Tiedot valtuutetuista huoltoliikkeistä löytyvät internetistä osoitteesta www.2helpU.com sekä kotisivuiltamme www.blackanddecker.fi

Takuu

Black & Decker Oy takaa, ettei koneessa ollut materiaali- ja/tai valmistusvikaa silloin, kun se toimitettiin ostajalle.

Takuu on lisäys kuluttajan laillisiin oikeuksiin eikä vaikuta niihin. Takuu on voimassa Euroopan Unionin jäsenmaissa ja Euroopan vapaakauppa-alueella (EFTA).

Mikäli Black & Decker -kone hajoaa materiaali- ja/tai valmistusvirheen tai teknisten tietojen epätarkkuuden vuoksi 24 kk:n kuluessa ostopäivästä, Black & Decker korjaa koneen ilman kustannuksia ostajalle tai vaihtaa sen uuteen Black & Decker Oy:n valinnan mukaan.

Takuu ei kata vikoja, jotka johtuvat koneen

- ◆ normaalista kulumisesta
- ◆ ylikuormituksesta, virheellisestä käytöstä tai hoidosta
- ◆ vahingoittamisesta vieraalla esineellä tai aineella tai onnettomuustapauksessa.

Takuu ei ole voimassa, mikäli konetta on korjannut joku muu kuin Black & Deckerin valtuuttama huoltoliike.

Edellytyksenä takuun saamiselle on, että ostaja jättää koneen ja ostokuitin jälleenmyyjälle tai valtuutetulle huoltoliikkeelle viimeistään 2 kuukauden kuluessa vian ilmenemisestä.

Tiedot valtuutetuista huoltoliikkeistä saa ottamalla yhteyttä Black & Decker Oy:hyn sekä internetistä osoitteesta

www.2helpU.com, jossa on myös takuuehdot.

Voit vierailla verkkosivuiltamme www.blackanddecker.fi

rekisteröidäksesi uuden Black & Decker-tuotteesi ja saadaksesi tietoa uusista tuotteista ja erikoistarjouksista.

Saat lisätietoja Black & Deckerin tavaramerkistä ja tuotevalikoimastamme osoitteesta www.blackanddecker.fi

Ενδεξιγμένη χρήση

Το περιστρεφόμενο κρουστικό δράπανο Black & Decker έχει σχεδιαστεί για διάτρηση σε ξύλο, μέταλλο, πλαστικά και μαλακά δομικά υλικά, καθώς και για εφαρμογές βιδώματος και ελαφριές εφαρμογές σμίλευσης. Αυτό το εργαλείο προορίζεται μόνο για ερασιτεχνική χρήση.

Οδηγίες ασφαλείας

Γενικές προειδοποιήσεις ασφαλείας για ηλεκτρικά εργαλεία



Προσοχή! Διαβάστε όλες τις προειδοποιήσεις ασφαλείας και όλες τις οδηγίες. Η μη τήρηση των παρακάτω προειδοποιήσεων και οδηγιών μπορεί να προκαλέσει ηλεκτροπληξία, πυρκαγιά ή/και σοβαρούς τραυματισμούς.

Αποθηκεύστε όλες τις προειδοποιήσεις και οδηγίες για μελλοντική αναφορά. Ο χαρακτηρισμός "ηλεκτρικό εργαλείο" που χρησιμοποιείται στις παρακάτω προειδοποιητικές υποδείξεις αφορά ή το εργαλείο που συνδέεται στην πρίζα (με καλώδιο) ή το εργαλείο που λειτουργεί με μπαταρία (χωρίς καλώδιο).

1. **Ασφάλεια χώρου εργασίας**
 - a. **Διατηρείτε το χώρο που εργάζεστε καθαρό και καλά φωτισμένο.** Η απάζα στο χώρο που εργάζεστε και τα σημεία χωρίς καλό φωτισμό μπορεί να οδηγήσουν σε ατυχήματα.
 - b. **Μη χρησιμοποιείτε τα ηλεκτρικά εργαλεία σε περιβάλλον όπου υπάρχει κίνδυνος έκρηξης, π.χ. παρουσία εύφλεκτων υγρών, αερίων ή σκόνης.**
Τα ηλεκτρικά εργαλεία μπορεί να δημιουργήσουν σπινθηρισμό ο οποίος μπορεί να αναφλέξει τη σκόνη ή τις αναθυμιάσεις.
 - c. **Όταν χρησιμοποιείτε το ηλεκτρικό εργαλείο, κρατάτε τα παιδιά και τα υπόλοιπα άτομα μακριά από το χώρο που εργάζεστε.** Σε περίπτωση που άλλα άτομα αποσπάσουν την προσοχή σας μπορεί να χάσετε τον έλεγχο του μηχανήματος.
2. **Ασφαλής χρήση του ηλεκτρικού ρεύματος**
 - a. **Το φως του καλωδίου του ηλεκτρικού εργαλείου πρέπει να ταιριάζει στην αντίστοιχη πρίζα.**
Δεν επιτρέπεται με κανένα τρόπο η μετασκευή του φως. Μη χρησιμοποιείτε προσαρμοστικά φως στα γειωμένα ηλεκτρικά εργαλεία. Τα φως που δεν έχουν υποστεί τροποποιήσεις και οι κατάλληλες πρίζες μειώνουν τον κίνδυνο ηλεκτροπληξίας.
 - b. **Αποφεύγετε την επαφή του σώματός σας με γειωμένες επιφάνειες όπως σωλήνες, θερμαντικά σώματα (καλοριφέρ), κουζίνες και ψυγεία.** Όταν το σώμα σας είναι γειωμένο, αυξάνεται ο κίνδυνος ηλεκτροπληξίας.
 - c. **Μην εκθέτετε το ηλεκτρικό εργαλείο στη βροχή ή την υγρασία.** Η διείσδυση νερού στο ηλεκτρικό εργαλείο αυξάνει τον κίνδυνο ηλεκτροπληξίας.
 - d. **Μην κακομεταχειριζέστε το καλώδιο. Μη χρησιμοποιήσετε ποτέ το καλώδιο για να μεταφέρετε, να τραβήξετε ή να αποσυνδέσετε το εργαλείο από την πρίζα.** Κρατάτε το καλώδιο μακριά από υψηλές θερμοκρασίες, λάδια, κοφτερές ακμές ή κινούμενα εξαρτήματα. Τυχόν χαλασμένα ή μπερδεμένα καλώδια αυξάνουν τον κίνδυνο ηλεκτροπληξίας.
 - e. **Όταν χρησιμοποιείτε το ηλεκτρικό εργαλείο σε εξωτερικούς χώρους, να χρησιμοποιείτε πάντοτε προεκτάσεις (μπαλαντζές) που έχουν εγκριθεί για χρήση σε εξωτερικούς χώρους.** Η χρήση προεκτάσεων εγκεκριμένων για εργασία σε εξωτερικούς χώρους μειώνει τον κίνδυνο ηλεκτροπληξίας.
 - f. **Αν η χρήση του εργαλείου σε μια βρεγμένη περιοχή δεν είναι απόφευκτη, χρησιμοποιήστε μια συσκευή κατάλοιπου ρεύματος (RCD) προστατευόμενης παροχής.** Η χρήση μιας RCD μειώνει τον κίνδυνο ηλεκτροπληξίας.
3. **Ασφάλεια προσώπων**
 - a. **Όταν χρησιμοποιείτε το ηλεκτρικό εργαλείο, να είστε προσεκτικοί, να δίνετε προσοχή στην εργασία που κάνετε και να επιστρατεύετε την κοινή λογική.** Μη χρησιμοποιείτε το ηλεκτρικό εργαλείο όταν είστε κουρασμένοι ή όταν βρίσκεστε υπό την επήρεια ναρκωτικών, οινοπνεύματος ή φαρμάκων.
Μια στιγμή μπορεί απροσέξια κατά το χειρισμό του ηλεκτρικού εργαλείου να οδηγήσει σε σοβαρούς τραυματισμούς.
 - b. **Χρησιμοποιήστε προσωπικό εξοπλισμό τραυματισμού. Να φοράτε πάντα προστατευτικά γυαλιά.** Ο προστατευτικός εξοπλισμός όπως μάσκα σκόνης, υποδήματα ασφαλείας κατά το γλίστρημα, σκληρό καπέλο, ή προστασία ακοής για τις κατάλληλες συνθήκες θα μειώσουν τους σωματικούς τραυματισμούς.
 - c. **Να αποφύγετε την εκκίνηση κατά λάθος.** Επιβεβαιωθείτε ότι ο διακόπτης είναι στην θέση off πριν συνδέσετε την παροχή ρεύματος και/ή τη μπαταρία, πριν πιάσετε ή μεταφέρετε το εργαλείο. Η μεταφορά εργαλείων με το δάχτυλο στον διακόπτη ή η ενεργοποίηση εργαλείων με τον διακόπτη στη θέση on μπορεί να οδηγήσει σε ατυχήματα.
 - d. **Πριν θέσετε το ηλεκτρικό εργαλείο σε λειτουργία, αφαιρέστε τυχόν εργαλεία ή κλειδιά ρύθμισης.** Ένα εργαλείο ή κλειδί συναρμολογημένο στο περιστρεφόμενο εξάρτημα ενός ηλεκτρικού εργαλείου μπορεί να προκαλέσει τραυματισμούς.

- e. Μην τεντώνεστε. Φροντίστε πάντοτε να έχετε την κατάλληλη στάση και να διατηρείτε την ισορροπία σας. Αυτό σας επιτρέπει τον καλύτερο έλεγχο του ηλεκτρικού εργαλείου σε περιπτώσεις απροσδόκητων καταστάσεων.
- f. Φοράτε κατάλληλη ενδυμασία εργασίας. Μη φοράτε φαρδιά ρούχα ή κοσμήματα. Κρατάτε τα μαλλιά, τα ενδύματα και τα γάντια σας μακριά από τα κινούμενα εξαρτήματα. Τα φαρδιά ρούχα, τα κοσμήματα και τα μακριά μαλλιά μπορεί να εμπλακούν στα κινούμενα εξαρτήματα.
- g. Αν προβλέπονται διατάξεις απαγωγής και συλλογής της σκόνης, βεβαιωθείτε ότι είναι συνδεδεμένες και ότι χρησιμοποιούνται σωστά. Η χρήση της συλλογής της σκόνης μπορεί να μειώσει τους κινδύνους σχετικά με τη σκόνη.
4. Χρήση και συντήρηση του ηλεκτρικού εργαλείου
- a. Μην υπερφορτώνετε το ηλεκτρικό εργαλείο. Χρησιμοποιείτε για την εκάστοτε εργασία σας το ηλεκτρικό εργαλείο που προορίζεται γι' αυτήν. Με το κατάλληλο ηλεκτρικό εργαλείο εργάζεσθε καλύτερα και ασφαλέστερα στην ονομαστική περιοχή ισχύος του.
- b. Μη χρησιμοποιήσετε ποτέ ένα ηλεκτρικό εργαλείο του οποίου ο διακόπτης λειτουργίας είναι χαλασμένος. Ένα ηλεκτρικό εργαλείο του οποίου η λειτουργία δεν μπορεί να ελεγχθεί με το διακόπτη είναι επικίνδυνο και πρέπει να επισκευαστεί.
- c. Αποσυνδέστε το βύσμα από τη πυγή ρεύματος και/ή το συγκρότημα μπαταρίας πριν κάνετε κάποια ρύθμιση, αλλάζετε τα αξεσουάρ, ή αποθηκεύετε τα ηλεκτρικά εργαλεία. Αυτά τα προληπτικά μέτρα ασφαλείας μειώνουν τον κίνδυνο να τεθεί το μηχάνημα αθέλητα σε λειτουργία.
- d. Να φυλάτε τα ηλεκτρικά εργαλεία που δεν χρησιμοποιείτε μακριά από παιδιά. Μην αφήνετε άτομα που δεν είναι εξοικειωμένα με το ηλεκτρικό εργαλείο ή που δεν έχουν διαβάσει αυτές τις οδηγίες χρήσης να το χρησιμοποιήσουν. Τα ηλεκτρικά εργαλεία είναι επικίνδυνα όταν χρησιμοποιούνται από άπειρα άτομα.
- e. Να συντηρείτε τα ηλεκτρικά εργαλεία. Ελέγξτε εάν τα κινούμενα μέρη είναι σωστά ευθυγραμμισμένα ή αν έχουν μπλοκάρει, εάν έχουν σπάσει κομμάτια και εάν πληρούνται όλες οι υπόλοιπες συνθήκες που ενδεχομένως να επηρεάσουν τη σωστή λειτουργία του εργαλείου. Δώστε τυχόν χαλασμένα εξαρτήματα του ηλεκτρικού εργαλείου για επισκευή πριν το χρησιμοποιήσετε πάλι. Η ανεπαρκής συντήρηση των ηλεκτρικών εργαλείων αποτελεί αιτία πολλών ατυχημάτων.

- f. Διατηρείτε τα κοπτικά εργαλεία κοφτερά και καθαρά. Τα κοπτικά εργαλεία με αιχμηρά κοπτικά άκρα που συντηρούνται σωστά έχουν λιγότερες πιθανότητες να μπλοκάρουν και ελέγχονται ευκολότερα.
- g. Να χρησιμοποιείτε το ηλεκτρικό εργαλείο, τα εξαρτήματα και τις μύτες κλπ σύμφωνα με αυτές τις οδηγίες, λαμβάνοντας υπόψη τις καταστάσεις εργασίας και την εργασία προς εκτέλεση. Η χρήση του ηλεκτρικού εργαλείου για άλλες εκτός από τις προβλεπόμενες εργασίες μπορεί να δημιουργήσει επικίνδυνες καταστάσεις.
5. Σέρβις
- a. Το σέρβις του ηλεκτρικού σας εργαλείου πρέπει να αναλαμβάνει έμπειρος τεχνικός που θα χρησιμοποιεί μόνο γνήσια ανταλλακτικά. Ετσι εξασφαλίζεται η διατήρηση της ασφάλειας του ηλεκτρικού εργαλείου.

Συμπληρωματικές προειδοποιήσεις ασφαλείας για ηλεκτρικά εργαλεία



Προειδοποίηση! Συμπληρωματικές προειδοποιήσεις ασφαλείας για περιστρεφόμενα κρουστικά δράπανα και για δράπανα σμίλευσης

- ◆ Να φοράτε προστατευτικά καλύμματα για τα αυτιά. Η έκθεση σε θόρυβο μπορεί να προκαλέσει απώλεια ακοής.
- ◆ Χρησιμοποιείτε βοηθητικές λαβές που παρέχονται με το εργαλείο. Η απώλεια ελέγχου μπορεί να προκαλέσει σωματικές βλάβες.
- ◆ Πιάνετε το μηχάνημα μόνο από τις μονωμένες επιφάνειές του όταν κατά την εργασία σας υπάρχει κίνδυνος το αξεσουάρ κοπής να "χτυπήσει" ηλεκτρικές γραμμές ή το ηλεκτρικό καλώδιο του ίδιου του μηχανήματος. Το αξεσουάρ κοπής σε επαφή με μια υπό τάση ευρισκόμενη ηλεκτρική γραμμή μπορεί να θέσουν επίσης και τα μεταλλικά τμήματα του μηχανήματος υπό τάση κι έτσι μπορεί να οδηγήσει σε ηλεκτροπληξία.
- ◆ Μην χρησιμοποιείτε ποτέ ένα εξάρτημα σμίλευσης σε λειτουργία περιστροφής. Το εξάρτημα θα μπλοκάρει στο υλικό και θα περιστρέψει το δράπανο.
- ◆ Χρησιμοποιήστε σφιγκτήρες ή κάποιο άλλο πρακτικό μέσο για να ασφαλίστε και στηρίξετε το τεμάχιο εργασίας σε μια σταθερή επιφάνεια. Το κράτημα με το χέρι ή με το σώμα σας το κάνει ασταθές και μπορεί να οδηγήσει στο χάσιμο ελέγχου.
- ◆ Πριν από τη διάτρηση τοίχων, δαπέδων ή οροφών, εντοπίστε τις θέσεις όπου βρίσκονται καλώδια και σωληνώσεις.
- ◆ Αποφύγετε να αγγίξετε τη μύτη ενός τρυπανιού αμέσως μετά τη διάτρηση, καθώς ενδέχεται να είναι πολύ ζεστή.

- ◆ Η ενδεξιγμένη χρησιμοποίηση αναφέρεται σε αυτές τις οδηγίες χρήσεως. Τόσο η χρήση εξαρτημάτων ή προσθηκών όσο και η πραγματοποίηση εργασιών που δεν συνιστώνται στις οδηγίες αυτές εγκυμονεί κίνδυνο τραυματισμού και/η περιουσίας.

Ασφαλής χρήση του ηλεκτρικού ρεύματος



Αυτό το εργαλείο φέρει διπλή μόνωση, επομένως δεν απαιτείται σύρμα γείωσης. Ελέγχετε πάντοτε αν η τάση τροφοδοσίας αντιστοιχεί σε αυτήν που αναγράφεται στην πινακίδα στοιχείων του εργαλείου.

- ◆ Αν το καλώδιο ρεύματος έχει υποστεί βλάβη, πρέπει να αντικατασταθεί από τον κατασκευαστή ή από εξουσιοδοτημένο Κέντρο Επισκευών Black & Decker ώστε να αποφευχθούν οι κινδύνους.

Χαρακτηριστικά

Το εργαλείο διαθέτει όλα ή ορισμένα από τα εξής χαρακτηριστικά.

1. Διακόπτης μεταβλητής ταχύτητας
2. Πλήκτρο ασφάλισης
3. Διακόπτης δεξιόστροφης/αριστερόστροφης περιστροφής
4. Κουμπί ρύθμισης ταχύτητας
5. Διακόπτη επιλογής κατάστασης διάτρησης
6. Βάση εργαλείου
7. Πλευρική χειρολαβή
8. Στοπ βάθους

Συναρμολογήση

Προειδοποίηση! Πριν από τη συναρμολόγηση, βεβαιωθείτε ότι το εργαλείο είναι σβηστό και ότι το φως του δεν είναι στην πρίζα.

Τοποθέτηση της πλευρικής λαβής και του στοπ βάθους (εικ. Α)

- ◆ Στρέψτε τη λαβή αριστερόστροφα μέχρι να μπορείτε να ολισθήσετε την πλευρική λαβή (7) στο εμπρόσθιο τμήμα του εργαλείου όπως φαίνεται στην εικόνα.
- ◆ Περιστρέψτε την πλευρική λαβή σε όποια θέση θέλετε.
- ◆ Εισάγετε το στοπ βάθους (8) μέσα στην οπή στήριξης όπως απεικονίζεται.
- ◆ Ρυθμίστε το στοπ βάθους στη θέση που θέλετε. Το μέγιστο βάθος διάτρησης ισούται με την απόσταση μεταξύ της άκρης του τρυπανιού και του εμπρόσθιου άκρου του στοπ βάθους.
- ◆ Σφίξτε την πλευρική λαβή στρέφοντάς την δεξιόστροφα.

Τοποθέτηση αξεσουάρ (εικ. Β)

- ◆ Καθαρίστε και γρασάρετε το στέλεχος (9) του αξεσουάρ.
- ◆ Τραβήξτε τον δακτύλιο (10) και τοποθετήστε το στέλεχος στη βάση του εργαλείου (6).
- ◆ Σπρώξτε το αξεσουάρ προς τα κάτω και στρέψτε το ελάχιστα μέχρι να ταιριάζει στις σχισμές.

Ασφάλεια άλλων

- ◆ Αυτή η συσκευή δεν προσδιορίζεται για χρήση από άτομα (συμπεριλαμβανόμενα και τα παιδιά) με ελαττωμένες φυσικές, αισθητήριες και ψυχικές δυνατότητες, ή έλλειψη εμπειρίας και γνώσης, εκτός αν υπάρχει επιτήρηση ή οδηγίες για τη χρήση της συσκευής από έναν υπεύθυνο άτομο για την ασφάλεια τους.
- ◆ Τα παιδιά πρέπει να επιτηρηθούν για να βεβαιωθείτε ότι δεν παίζουν με τη συσκευή.

Δόνηση

Οι δηλωμένες τιμές εκπομπής δόνησης στον τομέα τεχνικών χαρακτηριστικών και στη δήλωση συμμόρφωσης έχουν μετρηθεί σύμφωνα με μια πρότυπη μέθοδος δοκιμής παρεχόμενη από το EN 60745 και μπορεί να χρησιμοποιηθεί για την σύγκριση ενός εργαλείου με ένα άλλο. Η δηλωμένη τιμή εκπομπής δόνησης μπορεί να χρησιμοποιηθεί επίσης σε μια προκαταρκτική εκτίμηση έκθεσης.

Προσοχή! Η τιμή εκπομπής δόνησης κατά τη παρόν χρήση του ηλεκτρικού εργαλείου μπορεί να διαφέρει από τη δηλωμένη τιμή αναλόγως με τον τρόπο που χρησιμοποιείται το εργαλείο. Το επίπεδο δόνησης μπορεί να αυξηθεί πάνω από το δηλωμένο επίπεδο.

Κατά την εκτίμηση έκθεσης στη δόνηση για να αποφασιστούν τα μέτρα ασφαλείας που απαιτούνται από το 2002/44/ΕΚ για την προστασία ατόμων που χρησιμοποιούν τακτικά το εργαλείο, πρέπει να ληφθεί υπόψη μια εκτίμηση έκθεσης δόνησης, οι παρόν καταστάσεις χρήσης και ο τρόπος χρήσης εργαλείου, συμπεριλαμβανόμενα όλα τα μερί του κύκλου εργασίας όπως πόσες φορές σβήνεται το εργαλείο και όταν δουλεύει χωρίς φορτίο πρόσθετα πόσες φορές πατιέται η σκανδάλη.

Ετικέτες επάνω στο εργαλείο

Πάνω στο εργαλείο υπάρχουν οι εξής σχηματικές απεικονίσεις:



Προσοχή! Για να μειώσετε τον κίνδυνο τραυματισμού, ο χρήστης πρέπει να διαβάσει το εγχειρίδιο οδηγιών.

- ♦ Τραβήξτε το αξεσουάρ για να ελέγξετε αν έχει κλειδωθεί σωστά. Η λειτουργία κρούσης απαιτεί το αξεσουάρ να μπορεί να κινηθεί αξονικά κατά μερικά εκατοστά όταν είναι κλειδωμένο στη βάση του εργαλείου.
- ♦ Για να αφαιρέσετε το αξεσουάρ, τραβήξτε τον δακτύλιο (10) και τραβήξτε το αξεσουάρ.

KD985/KD990 - Τοποθέτηση του τσοκ με τα κλειδί (εικ. C)

- ♦ Τοποθετήστε το στέλεχος (11) του τσοκ (12) που παρέχεται στη βάση του εργαλείου όπως περιγράφεται παραπάνω.

Προειδοποίηση! Μη χρησιμοποιείτε ποτέ τσοκ με κλειδί στη λειτουργία κρουστικής διάτρησης.

KD985/KD990 - Τοποθέτηση αξεσουάρ στο τσοκ με το κλειδί (εικ. D)

- ♦ Ανοίξτε το τσοκ στρέφοντας τον εξωτερικό δακτύλιο (13).
- ♦ Εισάγετε τον άξονα της μύτης (14) μέσα στο τσοκ.
- ♦ Εισάγετε το κλειδί του τσοκ (15) σε κάθε σπή (16) στο πλάι του τσοκ και στρέψτε το μέχρι να ασφαλίσει.

Αναπόφευκτοι κίνδυνοι.

Μπορεί να προκληθούν επιπρόσθετοι αναπόφευκτοι κίνδυνοι όταν χρησιμοποιείτε το εργαλείο οι οποίοι μπορεί να μη συμπεριλαμβάνονται στις προειδοποιήσεις ασφαλείας που εσωκλείονται. Αυτοί οι κίνδυνοι μπορεί να προκληθούν από κακή χρήση, παρατεταμένη χρήση κτλ.

Ακόμα και με την τήρηση των σχετικών κανονισμών ασφαλείας και τη χρήση μέσων προστασίας, ορισμένοι κίνδυνοι δεν είναι δυνατό να εξαλειφθούν. Αυτοί περιλαμβάνουν:

- ♦ Τραυματισμούς από το άγγιγμα των περιστρεφόμενων/κινούμενων μερών.
- ♦ Τραυματισμούς από αλλαγή οποιωνδήποτε εξαρτημάτων, λεπίδων ή αξεσουάρ.
- ♦ Τραυματισμούς από παρατεταμένη χρήση του εργαλείου. Όταν χρησιμοποιείτε οποιοδήποτε εργαλείο για παρατεταμένες χρονικές περιόδους βεβαιωθείτε ότι κάνετε τακτικά διαλείμματα.
- ♦ Προβλήματα ακοής.
- ♦ Κίνδυνοι στην υγεία που προκαλούνται από την εισπνοή σκόνης όταν χρησιμοποιείτε το εργαλείο (παραδείγματα: όταν επεξεργάζεστε ξύλο, ειδικά δρυς, οξιά και MDF.)

Χρήση

Προειδοποίηση! Αφήστε το εργαλείο να λειτουργήσει με το δικό του ρυθμό. Μην το υπερφορτώνετε.

Προειδοποίηση! Πριν από τη διάτρηση τοίχων, δαπέδων ή οροφών, εντοπίστε τις θέσεις όπου βρίσκονται καλώδια και σωληνώσεις.

Επιλογή κατάστασης λειτουργίας (εικ. E)

Το εργαλείο μπορεί να χρησιμοποιηθεί σε τρεις καταστάσεις λειτουργίας. Στρέψτε τον επιλογέα κατάστασης διάτρησης (5) στην επιθυμητή θέση, όπως υποδεικνύεται από τα σύμβολα.

Διάτρηση

- ♦ Για διάτρηση σε ασφάλι, ξύλο και πλαστικό, καθώς και για εφαρμογές κατασβιδιού, ρυθμίστε τον διακόπτη επιλογής κατάστασης λειτουργίας (5) στη θέση 1.
- ♦ Κατά τη χρήση του κατασβιδιού, ξεκινήστε με χαμηλή ταχύτητα. Κατά την αφαίρεση βιδών, η ταχύτητα μειώνεται αυτόματα.

Κρουστική διάτρηση

- ♦ Για κρουστική διάτρηση σε τοιχοποιία, ρυθμίστε τον διακόπτη επιλογής κατάστασης λειτουργίας (5) στη θέση 2.
- ♦ Κατά την κρούση, το εργαλείο δεν θα πρέπει να χοροπηδά και να κινείται απαλά. Αν κριθεί απαραίτητο, αυξάνετε την ταχύτητα.

Κρούση

- ♦ Για κρούση με χρήση της ασφάλειας ατράκτου, και για ελαφρύ σμίλημα και, ρυθμίστε τον επιλογέα (5) στη θέση T.
- ♦ Βεβαιωθείτε ότι ο διακόπτης εμπρός/πίσω είναι στη εμπρός θέση.
- ♦ Όταν αλλάζετε από κρουστική διάτρηση σε σμίλημα, γυρίστε τη σμίλη στην επιθυμητή θέση. Αν νιώθετε αντίσταση κατά την αλλαγή κατάστασης λειτουργίας, γυρίστε ελαφρά τη σμίλη για να ενεργοποιήσετε την ασφάλεια της ατράκτου.

Επιλογή της κατεύθυνσης περιστροφής

Για διάτρηση, σμίλημα και για τη σύσφιξη βιδών, χρησιμοποιείτε την περιστροφή προς τα εμπρός (δεξιόστροφη). Για το ξεβίδωμα των βιδών ή για να αφαιρέσετε τρυπάνι που έχει κολλήσει, χρησιμοποιείτε την ανάποδη περιστροφή (αριστερόστροφη).

- ♦ Για να επιλέξετε την περιστροφή προς τα εμπρός, πιέστε το συρόμενο διακόπτη εμπρός/πίσω (3) προς τα αριστερά.
- ♦ Για να επιλέξετε την ανάποδη περιστροφή, πιέστε το συρόμενο διακόπτη εμπρός/πίσω προς τα δεξιά.

Προειδοποίηση! Ποτέ μην αλλάζετε την κατεύθυνση της περιστροφής ενώ ο κινητήρας είναι σε λειτουργία.

Ρύθμιση του βάθους διάτρησης (εικ. F)

- ♦ Χαλαρώστε την πλευρική λαβή (7) στρέφοντας την λαβή αριστερόστροφα.
- ♦ Ρυθμίστε το στοπ βάθους (8) στη θέση που θέλετε. Το μέγιστο βάθος διάτρησης ισούται με την απόσταση μεταξύ της άκρης του τρυπανιού και του εμπρόσθιου άκρου του στοπ βάθους.

- ◆ Σφίξτε την πλευρική λαβή στρέφοντάς την δεξιόστροφα.

Θέση εντός και εκτός λειτουργίας

- ◆ Για να θέσετε σε λειτουργία το εργαλείο, πατήστε το διακόπτη ρυθμιζόμενης ταχύτητας (1). Η ταχύτητα του εργαλείου εξαρτάται από το βαθμό που θα πατήσετε το διακόπτη. Ρυθμίστε το κουμπί ελέγχου μεταβλητής ταχύτητας (4) στην απαιτούμενη κλίμακα ταχύτητας.
- ◆ Χρησιμοποιήστε ταχύτητες 1-6 μόνο για μικρά χρονικά διαστήματα.
- ◆ Γενικά, να χρησιμοποιείτε χαμηλή ταχύτητα για μύτες τρυπανιού μεγάλης διαμέτρου και υψηλές ταχύτητες για μύτες τρυπανιού μικρής διαμέτρου.
- ◆ Για διαρκή λειτουργία, πατήστε το πλήκτρο ασφάλισης (2) και απελευθερώστε το διακόπτη ρυθμιζόμενης ταχύτητας. Αυτή η επιλογή είναι διαθέσιμη μόνο στην περιστροφή προς τα μπροστά (δεξιόστροφα).
- ◆ Για να σβήσετε το εργαλείο, απελευθερώστε το διακόπτη ρυθμιζόμενης ταχύτητας. Για να σβήσετε το εργαλείο όταν βρίσκεται σε κατάσταση συνεχόμενης λειτουργίας, πατήστε μία φορά το διακόπτη ρυθμιζόμενης ταχύτητας και ύστερα αφήστε τον.

Εξαρτήματα

Η απόδοση του εργαλείου σας εξαρτάται από τα εξαρτήματα που χρησιμοποιείτε. Τα εξαρτήματα Black & Decker και Piranha είναι σχεδιασμένα σύμφωνα με πρότυπα υψηλής ποιότητας για να βελτιώνουν την απόδοση του εργαλείου σας. Χρησιμοποιώντας τα θα επιτύχετε τη βέλτιστη απόδοση του εργαλείου.

Συντήρηση

Αυτό το εργαλείο/συσκευή της Black & Decker με καλώδιο/ασύρματο έχει σχεδιαστεί έτσι ώστε να λειτουργεί για μεγάλο χρονικό διάστημα με την ελάχιστη δυνατή φροντίδα. Η αδιάλειπτη και κανονική λειτουργία του εργαλείου εξαρτάται από τη φροντίδα και τον τακτικό καθαρισμό.

Προειδοποίηση! Πριν εκτελέσετε οποιαδήποτε συντήρηση των ενσύρματων/ασύρματων ηλεκτρικών εργαλείων:

- ◆ Θέστε τη συσκευή/εργαλείο εκτός λειτουργίας και βγάλτε από την από την πρίζα.
- ◆ Η θέση εκτός λειτουργίας και αφαιρέστε τη μπαταρία από τη συσκευή/εργαλείο εάν η συσκευή/εργαλείο έχει ένα ξεχωριστό συγκρότημα μπαταρίας.
- ◆ Η αδειάστε εντελώς τη μπαταρία εάν είναι ενσωματωμένη και μετά θέστε εκτός λειτουργίας το μηχάνημα.
- ◆ Βγάλτε τον φορτιστή από την πρίζα πριν τον καθαρίσετε. Ο φορτιστής σας δεν απαιτεί καμία συντήρηση εκτός από τον τακτικό καθαρισμό του.
- ◆ Καθαρίζετε τακτικά τις οπές εξαιρισμού του εργαλείου/συσκευής σας και τον φορτιστή με μαλακή βούρτσα ή με στεγνό πανί.

- ◆ Να καθαρίζετε τακτικά το περίβλημα του μοτέρ χρησιμοποιώντας ένα υγρό πανί. Μη χρησιμοποιείτε αποξεστικά καθαριστικά ή υγρά καθαρισμού που περιέχουν διαλύτες.
- ◆ Να ανοίγετε τακτικά το τσοκ και να το αδειάζετε, προκειμένου να αφαιρείται η σκόνη από το εσωτερικό του (όταν υπάρχει).

Διάθεση εργαλείων και περιβάλλον



Ξεχωριστή συλλογή. Αυτό το προϊόν δεν πρέπει να απορριφθεί με συνηθισμένα σπιτικά απορρίμματα.

Εάν κάποια μέρα διαπιστώσετε ότι το προϊόν σας Black & Decker χρειάζεται αντικατάσταση ή δεν σας χρησιμεύει πλέον, μην το απορρίψετε με τα σπιτικά απορρίμματα. Κάντε αυτό το προϊόν διαθέσιμο για ξεχωριστή συλλογή.



Η ξεχωριστή συλλογή χρησιμοποιημένων προϊόντων και συσκευασιών επιτρέπει την ανακύκλωση υλικών. Η επανάχρηση ανακυκλωμένων υλικών βοηθάει την προστασία του περιβάλλον και μειώνει την ζήτηση για σπάνια υλικά.

Οι τοπικοί κανονισμοί μπορεί να παρέχουν ξεχωριστή συλλογή ηλεκτρικών προϊόντων από κατοικίες, δημοτικές τοποθεσίες απορριμμάτων ή από τον έμπορο όταν αγοράσατε το καινούργιο προϊόν.

Η Black & Decker δίνει τη δυνατότητα συλλογής και ανακύκλωσης των προϊόντων της που έχουν συμπληρώσει τη διάρκεια ζωής τους. Αν θέλετε να χρησιμοποιήσετε την εν λόγω υπηρεσία, επιστρέψτε το προϊόν σας σε οποιοδήποτε εξουσιοδοτημένο κέντρο επισκευών, όπου θα το παραλάβουν εκ μέρους σας.

Ενημερωθείτε για το πλησιέστερο κέντρο επισκευών της περιοχής σας, επικοινωνώντας με τα γραφεία της Black & Decker στη διεύθυνση που αναγράφεται στο εγχειρίδιο. Επίσης, για να πληροφορηθείτε τα εξουσιοδοτημένα κέντρα επισκευών της Black & Decker και τις λεπτομέρειες και τους αρμόδιους των υπηρεσιών που παρέχονται μετά την πώληση, μπορείτε ανατρέξετε στο Διαδίκτυο στη διεύθυνση: www.2helpU.com

Τεχνικά χαρακτηριστικά

| | KD975 TYPE 3 | KD985 TYPE 3 | KD990 TYPE 3 |
|------------------------------|-----------------------------|-----------------|-----------------|
| Τάση | V _{AC} 230 | 230 | 230 |
| Ισχύς εισόδου | W 710 | 800 | 850 |
| Ταχύτητα άφροτου κίνησης | min ⁻¹ 0 - 980 | 0 - 980 | 0 - 980 |
| Ποσοστό κρούσης | min ⁻¹ 0 - 5.180 | 0 - 5.180 | 0 - 5.180 |
| Ενέργεια κρούσης | J 1.8 | 2.2 | 2.4 |
| Μέγιστη δυνατότητα διάτρησης | | | |
| Τσιμέντο | mm 22 | 24 | 26 |
| Χάλυβας | mm 13 | 13 | 13 |
| Ξύλο | mm 30 | 30 | 30 |
| Βάρος | kg 3.4 | 3.4 | 3.4 |

Στάθμη πίεσης ήχου σύμφωνα με το πρότυπο EN 60745:

Πίεση ήχου (L_{PA}) 96 dB(A), αβεβαιότητα (K) 3 dB(A)
Ακουστική ισχύς (L_{WA}) 107 dB(A), αβεβαιότητα (K) 3 dB(A)

Τιμές συνολικής δόνησης (άθροισμα τριαξονικών ανυσμάτων) αποφασισμένο σύμφωνα με EN 60745:

Διάτρηση σφύρας σε ακυρόδεμα (a_{h, HD}) 14.9 m/s², αβεβαιότητα (K) 1.5 m/s²
Σμίλημα (a_{h, CW}) 9.0 m/s², αβεβαιότητα (K) 1.5 m/s²

Δήλωση συμμόρφωσης με την Ευρωπαϊκή Κοινότητα

ΟΔΗΓΙΑ ΠΕΡΙ ΜΗΧΑΝΗΜΑΤΩΝ



KD975/KD985/KD990

Η Black & Decker δηλώνει ότι αυτά τα προϊόντα που περιγράφονται στον τομέα "τεχνικά χαρακτηριστικά" είναι σε συμμόρφωση με:

2006/42/EK, EN 60745-1, EN 60745-2-6

Αυτά τα προϊόντα συμμορφώνονται επίσης με την οδηγία 2004/108/EK και 2011/65/EE.

Για περισσότερες πληροφορίες, επικοινωνήστε με τη Black & Decker στη διεύθυνση που ακολουθεί ή στο πίσω μέρος του εγχειριδίου.

Ο υπογεγραμμένος είναι υπεύθυνος για τη σύνταξη του τεχνικού αρχείου και κάνει την παρών δήλωση εκ μέρους της Black & Decker.

Kevin Hewitt
Vice-President Global Engineering
Black & Decker Europe, 210 Bath Road, Slough,
Berkshire, SL1 3YD
Ηνωμένο Βασίλειο
30/06/2014

Εγγύηση

Η Black & Decker είναι σίγουρη για την ποιότητα των προϊόντων της και παρέχει σημαντική εγγύηση. Η παρούσα γραπτή εγγύηση αποτελεί πρόσθετο δικαίωμά σας και δεν ζημιώνει τα συνταγματικά σας δικαιώματα. Η εγγύηση ισχύει εντός της επικράτειας των Κρατών Μελών της Ευρωπαϊκής Ένωσης και της Ευρωπαϊκής Ζώνης Ελευθέρων Συναλλαγών.

Σε περίπτωση που κάποιο προϊόν της Black & Decker παρουσιάσει βλάβη εξαιτίας ελαττωματικών υλικών, ποιότητας εργασίας ή έλλειψης συμφωνίας με τις προδιαγραφές εντός 24 μηνών από την ημερομηνία αγοράς, η Black & Decker εγγυάται την αντικατάσταση των ελαττωματικών τμημάτων, την επισκευή προϊόντων που έχουν υποστεί εύλογη φθορά λόγω χρήσης ή την αντικατάσταση των προϊόντων προκειμένου να εξασφαλίσει την ελάχιστη ενόχληση στους πελάτες της, εκτός αν:

- ◆ Το προϊόν έχει χρησιμοποιηθεί σε εργασιακό, επαγγελματικό περιβάλλον ή αν έχει εννοικιαστεί
- ◆ Έχει γίνει εσφαλμένη χρήση του προϊόντος ή αν έχει παραμεληθεί
- ◆ Το προϊόν έχει υποστεί βλάβη από άλλα αντικείμενα, από ουσίες ή λόγω ατυχήματος
- ◆ Έχει γίνει προσπάθεια επισκευής από μη εξουσιοδοτημένα κέντρα επισκευών ή από προσωπικό που δεν ανήκει στο προσωπικό της Black & Decker

Για να ισχύσει η εγγύηση, πρέπει να υποβάλετε απόδειξη αγοράς στον πωλητή ή το εξουσιοδοτημένο κέντρο επισκευών. Ενημερωθείτε για το πλησιέστερο κέντρο επισκευών της περιοχής σας, επικοινωνώντας με τα γραφεία της Black & Decker στη διεύθυνση που αναγράφεται στο εγχειρίδιο. Επίσης, για να πληροφορηθείτε για τα εξουσιοδοτημένα κέντρα επισκευών της Black & Decker, τις λεπτομέρειες και τους αρμόδιους των υπηρεσιών που παρέχονται μετά την πώληση, μπορείτε να ανατρέξετε στο Διαδίκτυο στη διεύθυνση: www.2helpU.com

Παρακαλούμε να επισκεφτείτε την ιστοσελίδα μας www.blackanddecker.eu για να καταχωρήσετε το νέο σας προϊόν Black & Decker και για να ενημερώνεστε για τα νέα προϊόντα και τις ειδικές προσφορές. Περισσότερες πληροφορίες σχετικά με τη μάρκα Black & Decker και τη σειρά προϊόντων μας θα βρείτε στη διεύθυνση www.blackanddecker.eu

ENGLISH

Do not forget to register your product!

www.blackanddecker.co.uk/productregistration

Register your product online at www.blackanddecker.co.uk/productregistration or send your name, surname and product code to Black & Decker in your country.

DEUTSCH

Vergessen Sie nicht, Ihr Produkt registrieren zu lassen!

www.blackanddecker.de/productregistration

Lassen Sie Ihr Produkt unter www.blackanddecker.de/productregistration online registrieren oder schicken Sie Ihren Nachnamen, Vornamen und den Produktcode an Black & Decker in Ihrem Land.

FRANÇAIS

N'oubliez pas d'enregistrer votre produit !

www.blackanddecker.fr/productregistration

Enregistrez votre produit en ligne sur www.blackanddecker.fr/productregistration ou envoyez vos nom, prénom et code produit à Black & Decker dans votre pays.

ITALIANO

Non dimenticate di registrare il prodotto!

www.blackanddecker.it/productregistration

Registrate il prodotto online su www.blackanddecker.it/productregistration o inviate nome, cognome e codice del prodotto al centro Black & Decker del vostro paese.

NEDERLANDS

Vergeet niet uw product te registreren!

www.blackanddecker.nl/productregistration

U kunt uw product online registreren op www.blackanddecker.nl/productregistration of u kunt uw voornaam, achternaam en productcode opsturen naar Black & Decker in uw land.

ESPAÑOL

¡No olvide registrar su producto!

www.blackanddecker.es/productregistration

Registre su producto on-line en www.blackanddecker.es/productregistration o envíe su nombre, apellidos y código de producto a Black & Decker en su país.

PORTUGUÊS

Não se esqueça de registar o seu produto!

www.blackanddecker.pt/productregistration

Registe o seu produto online em www.blackanddecker.pt/productregistration ou envie o seu nome, apelido e código do produto para a Black & Decker no seu país.

SVENSKA

Glöm inte att registrera produkten!

www.blackanddecker.se/productregistration

Registrera produkten online på www.blackanddecker.se/productregistration eller skicka namn och produktkod till Black & Decker i landet du bor i.

NORSK

Ikke glem å registrere produktet ditt!

www.blackanddecker.no/productregistration

Registrer produktet ditt online på www.blackanddecker.no/productregistration, eller send ditt navn, etternavn og produktkode til Black & Decker i ditt eget land.

DANSK

Glem ikke at registrere dit produkt!

www.blackanddecker.dk/productregistration

Registrer dit produkt på internettet på: www.blackanddecker.dk/productregistration eller send dit navn, efternavn og produktkode til Black & Decker i dit eget land.

SUOMI

Muistathan rekisteröidä tuotteesi!

www.blackanddecker.fi/productregistration

Rekisteröi tuotteesi verkossa osoitteessa www.blackanddecker.fi/productregistration tai lähetä etunimesi, sukunimesi ja tuotekoodi oman maasi Black & Decker -edustajalle.

ΕΛΛΗΝΙΚΑ

Μην ξεχάσετε να καταχωρίσετε το προϊόν σας!

www.blackanddecker.gr/productregistration

Καταχωρίστε το προϊόν σας σε σύνδεση στη σελίδα www.blackanddecker.gr/productregistration ή στείλτε το όνομα, επίθετο σας και τον κωδικό πριονιωτός στη Black & Decker στη χώρα σας.

| | | |
|---|---|--|
| België/Belgique/Luxembourg www.blackanddecker.be enduser.be@sbdinc.com | Stanley Black & Decker Belgium BVBA Egide Walschaertsstraat 16 2800 Mechelen | Tel. NL +32 15 47 37 65 Tel. FR +32 15 47 37 66 Fax. +32 15 47 37 99 |
| Danmark | Black & Decker Roskildevej 22 2620 Albertslund | kundeservice.dk@sbdinc.com www.blackanddecker.dk |
| Deutschland www.blackanddecker.de infobfge@sdbinc.com | Stanley Black & Decker Deutschland GmbH Black & Decker Str. 40, D - 65510 Idstein | Tel. 06126 21-0 Fax 06126 21-2980 |
| Ελλάδα www.blackanddecker.gr greece.service@sbdinc.com | Stanley Black & Decker (ΕΛΛΑΣ) Ε.Π.Ε ΓΡΑΦΕΙΑ: Σπύριδωνος 7 & Βουλιαγμένης 166 74 Γλυφάδα - Αθήνα | Τηλ. 210-8981616 Φαξ 210-8983570 |
| SERVICE: | Ημερος Τόπος 2 -Χάνι Αδάμ 193 00 Ασπρόπυργος - Αθήνα | Τηλ. Service 210-8985208 Φαξ 210-5597598 |
| España www.blackanddecker.es respuesta.posventa@sbdinc.com | Stanley Black & Decker Ibérica, S.C.A. Parc de Negocis "Mas Blau" Edificio Muntadas, c/Bergadà, 1, Of. A6 08820 El Prat de Llobregat (Barcelona) | Tel. 934 797 400 Fax 934 797 419 |
| France www.blackanddecker.fr | Black & Decker (France) S.A.S. 5 allée des Hêtres B.P. 30084 69579 Limonest Cédex | Tel. 04 72 20 39 20 Fax 04 72 20 39 00 |
| Helvetia www.blackanddecker.ch service@rofoag.ch | ROFO AG Gewerbezone Seeblick 3213 Kleinbösingen | Tel. 026-6749393 Fax 026-6749394 |
| Italia www.blackanddecker.it service.italia@sbdinc.com | Stanley Black & Decker Italia Via Energypark 6 20871 Vimercate (MB) | Tel. 039-9590200 Fax 039-9590313 Numero verde 800-213935 |
| Nederland www.blackanddecker.nl enduser.nl@sbdinc.com | Stanley Black & Decker Netherlands BV Holtum Noordweg 35, 6121 RE BORN Postbus 83, 6120 AB BORN | Tel. +31 164 283 065 Fax +31 164 283 200 |
| Norge | Black & Decker Postboks 4613, Nydalen 0405 Oslo | kundeservice.no@sbdinc.com www.blackanddecker.no |
| Österreich www.blackanddecker.at service.austria@sbdinc.com | Stanley Black & Decker Austria GmbH Oberlaaerstraße 248, A-1230 Wien | Tel. 01 66116-0 Fax 01 66116-614 |
| Portugal www.blackanddecker.pt resposta.posvenda@sbdinc.com | Black & Decker Limited SARL Quinta da Fonte - Edifício Q55 D. Diniz Rua dos Malhães, 2 e 2A - Piso 2 Esquerdo 2770 - 071 Paço de Arcos | Tel. 214667500 Fax 214667580 |
| Suomi | Black & Decker PL47 00521, Helsinki | asiakaspalvelu.fi@sbdinc.com www.blackanddecker.fi |
| Sverige | Black & Decker AB Box 94, 431 22 Mölndal | kundservice.se@sbdinc.com www.blackanddecker.se |
| Türkiye www.blackanddecker.com.tr | KALE Hırdavat ve Makina A.Ş. Defferdar Mah. Savaklar Cad. No:15 Edimekapı / Eyüp / İstanbul 34050 | Tel. 0212 533 52 55 Fax. 0212 533 10 05 |
| United Kingdom & Republic Of Ireland www.blackanddecker.co.uk emeaservice@sbdinc.com | Black & Decker 210 Bath Road Slough, Berkshire SL1 3YD | Tel. 01753 511234 Fax 01753 512365 |
| Middle East & Africa www.blackanddecker.ae service.mea@sbdinc.com | Black & Decker P.O.Box - 17164 Jebel Ali Free Zone (South), Dubai, UAE | Tel. +971 4 8863030 Fax +971 4 8863333 |